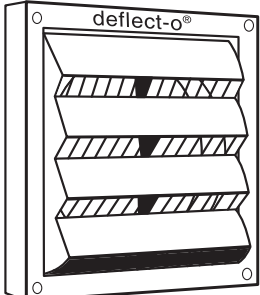
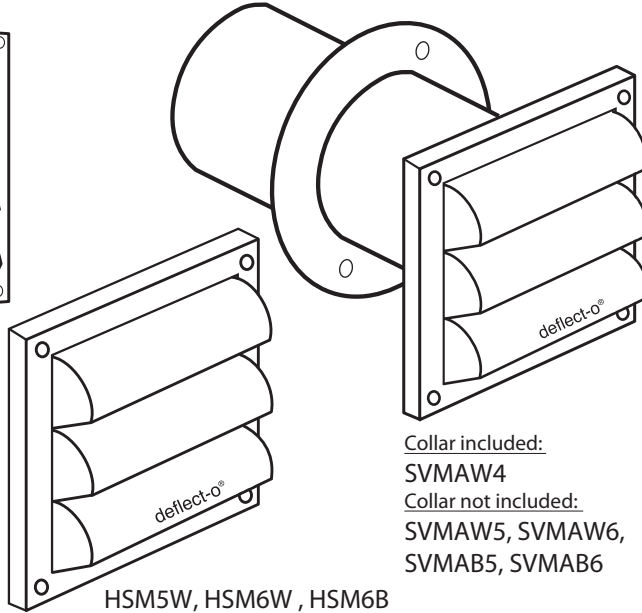


Fresh Air Intake with Molded Plastic Grid and Fixed Louvers

- 4" (10.2cm), 5" (12.7cm), 6" (15.2cm) Louvered Vent Hood only
- 4" (10.2cm) Louvered Vent Hood with Pipe and Collar



HSM4W, HSM4B



Collar included:
SVM4W4
Collar not included:
SVM4W5, SVM4W6,
SVM4B5, SVM4B6

HSM5W, HSM6W, HSM6B

Model No.	Description	Color
HSM4W	Hood w/ fixed louvers	White
HSM4B	Hood w/ fixed louvers	Brown
SVM4W4	Hood/pipe/collar assem.	White
SVM4W5	Hood/pipe assem.	White
SVM4W6	Hood/pipe assem.	White
SVM4B5	Hood/pipe assem.	Brown
SVM4B6	Hood/pipe assem.	Brown
HSM5W	Hood w/ fixed louvers	White
HSM6W	Hood w/ fixed louvers	White
HSM6B	Hood w/ fixed louvers	Brown

Performance Data

for all plastic molded fresh air intake vents

Hood

- Calcium filled Polypropylene
- Melting point: 325° F+
- UV Inhibitor added

Pipe

- Aluminum

Collar

- Styrene

Technical Data

Free Air

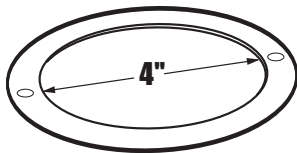
- 4" (10.2cm) dia. = 12 sq.in (77 sq.cm)
- 5", 6" dia. = 20 & 28 sq.in (129 sq.cm)

Protective Grid Size

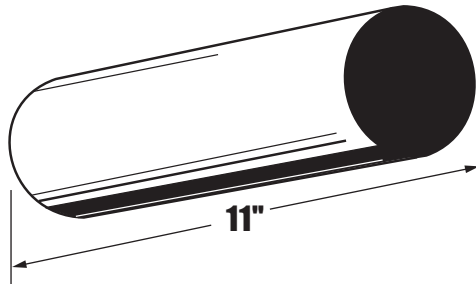
- 4"(10.2cm) dia. = protective grid on each stationary louver
- 5", 6" dia. = protective grid on back - 1/2" (12.7cm)sq. openings

General Information

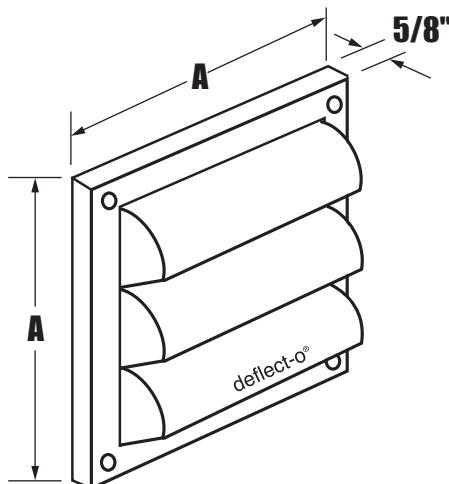
- Stationary molded plastic louvers
- quick, easy installation
- plastic furnace fresh air intakes come with a molded screen to help prevent birds and rodents from entering
- durable weather resistant



Plastic collar
(SVM4W4 only)



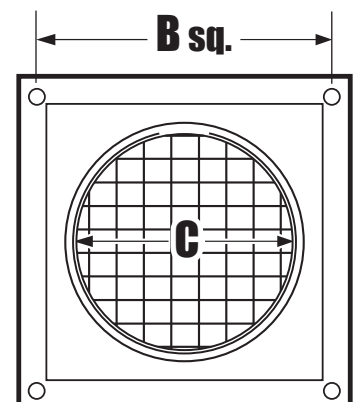
Model No.	A	B	C
HSM4W	6"	5 1/2"	4"
HSM4B	6"	5 1/2"	4"
SVM4W4	6"	5 1/2"	4"
HSM5W	8"	7 1/2"	5"
HSM6W	8"	7 1/2"	6"
HSM6B	8"	7 1/2"	6"
SVM4W5	8"	7 1/2"	5"
SVM4B5	8"	7 1/2"	5"
SVM4W6	8"	7 1/2"	6"
SVM4B6	8"	7 1/2"	6"



Molded for easy connection of pipe



Side View



Rear View