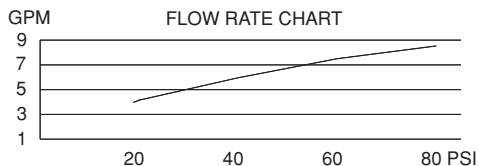


### SINGLE HANDLE PRESSURE BALANCE TUB & SHOWER FAUCET

#### Description

- Single handle with 4" sunflower showerhead
- Cast slip-fit spout
- Diverter on valve (Tub & Shower only)
- Back to back installation capabilities

#### Flow & Valving

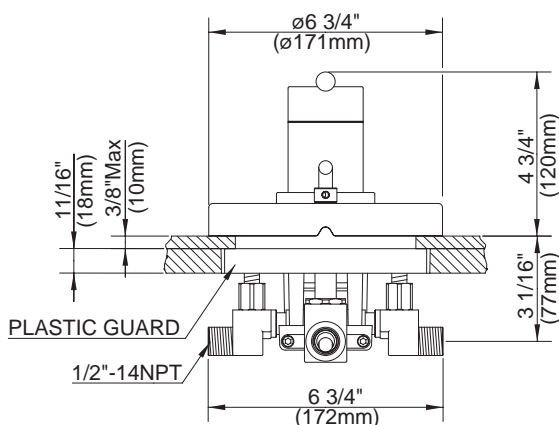


#### Standards

- ASME A112.18.1
- CSA B125
- ASSE 1016
- Listed IAPMO/UPC
- Energy policy act of 1992
- ADA Accessibility Guidelines for Buildings and Facilities - 4.27.4 Controls and Mechanisms

#### Warranty

Danze products are covered by a manufacturer's limited "lifetime" warranty for manufacturing defects.



D500058(shown)  
PARMA™

#### Available Colors & Finish

- Chrome
- Brushed Nickel (BN)

#### Trim Kits: (for use w/pressure balance valves)

- D500058T (Tub/Shower trim)
- D500558T (Shower only trim)
- D500658T (Tub trim w/valve escutcheon)
- D500458T (Valve only escutcheon trim w/diverter)
- D510458T (Valve only escutcheon trim w/o diverter)

#### Special Packaging

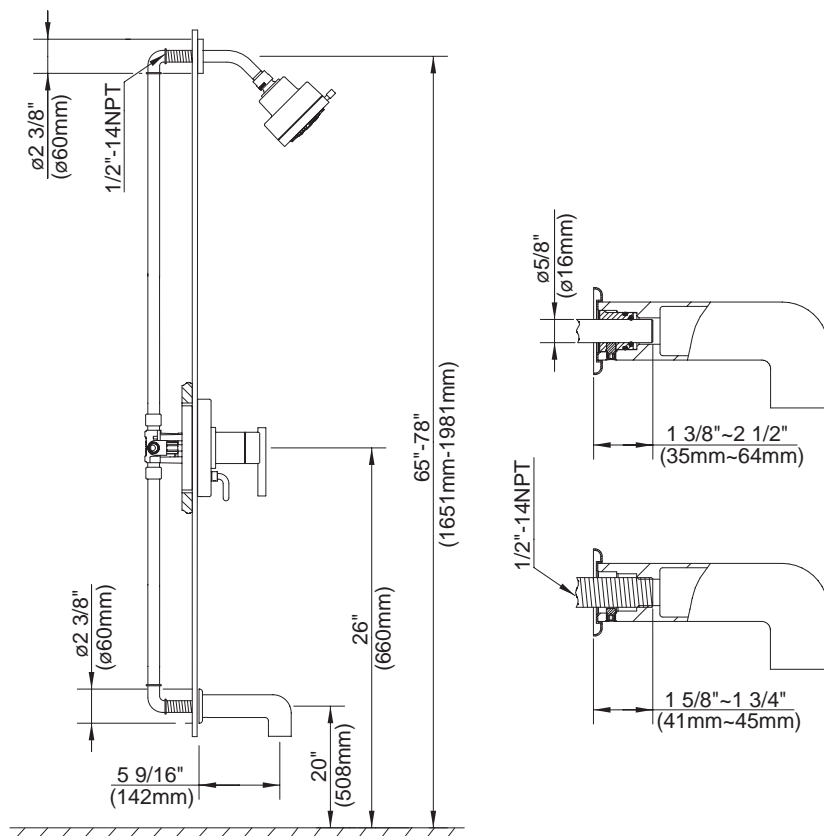
- This product also available with valve packaged separate from trim.
- Tub & Shower and Valve Only Escutcheon w/Diverter Trim Kit - use w/valve: D113000BT (w/diverter & stops)
- Shower Only & Tub & Valve Only Escutcheon w/o Diverter Trim Kit - use w/valve: D112000BT (w/stops) or D115000BT (w/o stops)
- Pressure Balance Valves are combination 1/2" copper sweat, 1/2" NPT threaded connectors for all ports.

#### With Diverter & Stops:

D500058(Tub/Shower)

#### With Stops:

D500558 (Shower only)

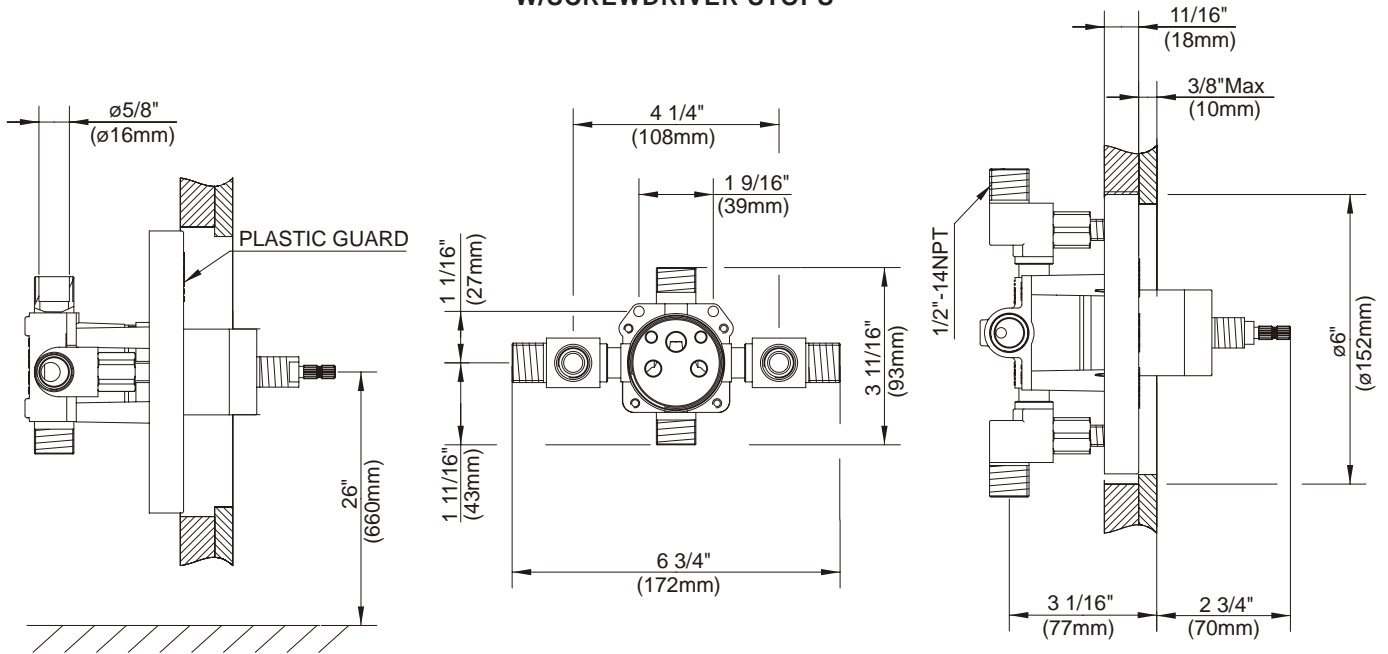


Specific Features: \_\_\_\_\_ Submitted Model No.: \_\_\_\_\_

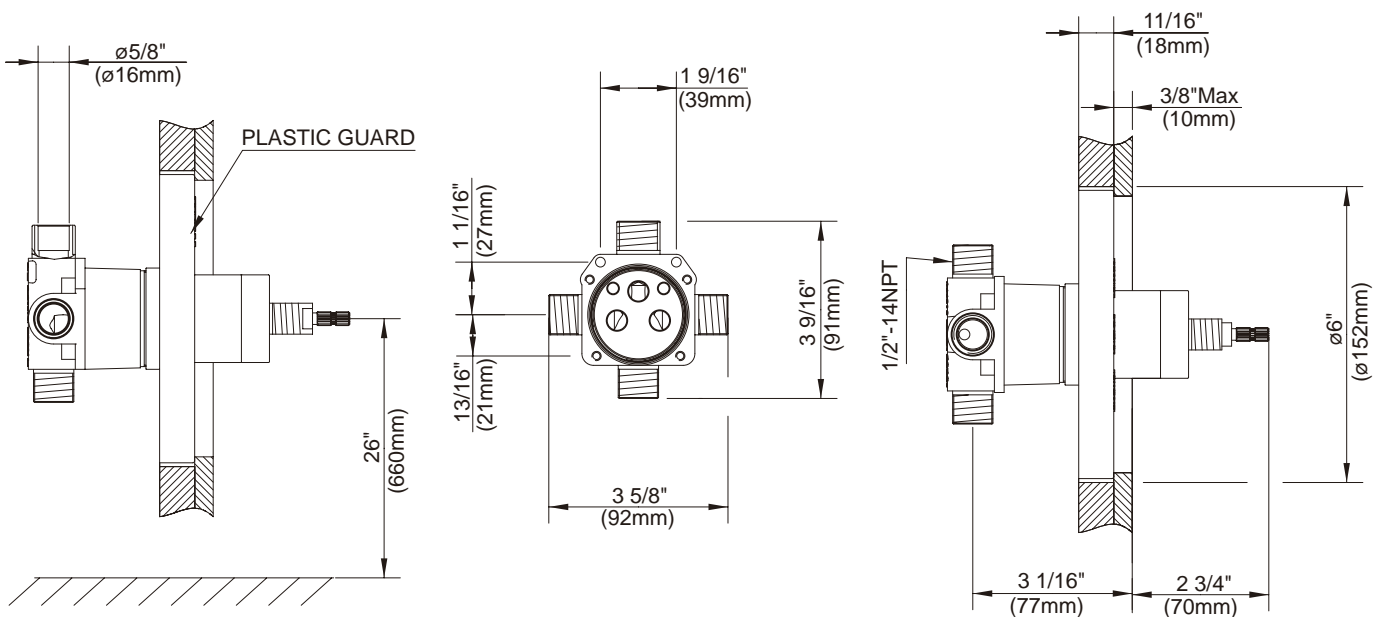
### SINGLE HANDLE PRESSURE BALANCE TUB & SHOWER VALVES

Critical Dimensions : Rough-in valve D112000BT (w/stops) & D115000BT (w/o stops)

#### W/SCREWDRIVER STOPS



#### W/DIVERTER & STOPS



Specific Features: \_\_\_\_\_ Submitted Model No.: \_\_\_\_\_

SD500058/11-07.02