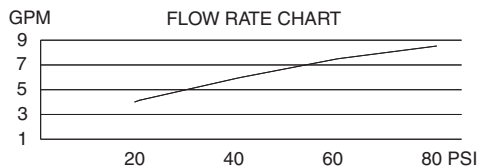


### SINGLE HANDLE PRESSURE BALANCE TUB & SHOWER FAUCET

#### Description

- Single handle
- 4" bell style showerhead
- 1/2" slip spout fits 1/2" copper or 1/2" IPS stub-out
- Diverter on spout
- Back to back installation capabilities

#### Flow & Valving



#### Standards

- ASME A112.18.1
- CSA B125
- ASSE 1016
- Energy policy act of 1992
- Listed IAPMO/UPC
- ADA Accessibility Guidelines for Buildings and Facilities - 4.27.4 Controls and Mechanisms

#### Warranty

Danze products are covered by a manufacturer's limited "lifetime" warranty for manufacturing defects.



D510040 (shown)  
FAIRMONT™



**With Diverter & Stops:**  
D510040 (Tub/Shower)

**With Stops:**  
D500540 (Shower only)

#### Available Colors & Finish

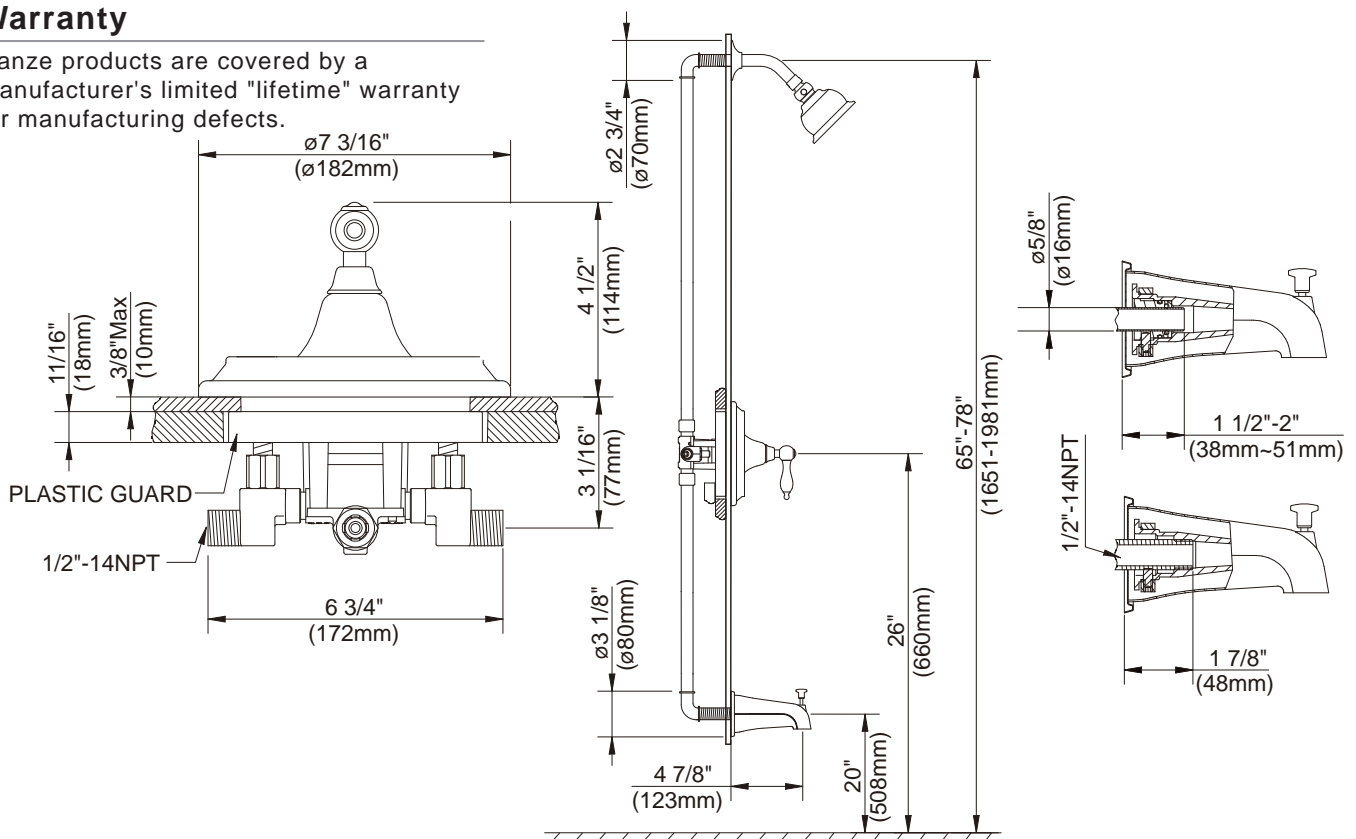
- Chrome
- Brushed Nickel (BN)
- Distressed Nickel (DN)
- Oil Rub Bronze (RB)
- Distressed Bronze (RBD)

#### Trim Kits :

(for use w/pressure balance valves)  
D510040T (Tub/Shower trim)  
D500540T (Shower only trim)  
D500640T (Tub trim w/valve escutcheon)  
D500440T (Valve only escutcheon trim w/o diverter)

#### Special Packaging

- This product also available with valve packaged separate from trim.
- Use with single handle pressure balance valves:  
D112000BT (w/stops)  
D115000BT (w/o stops)
- Valves are combination 1/2" copper sweat, 1/2" NPT threaded connectors for all ports.

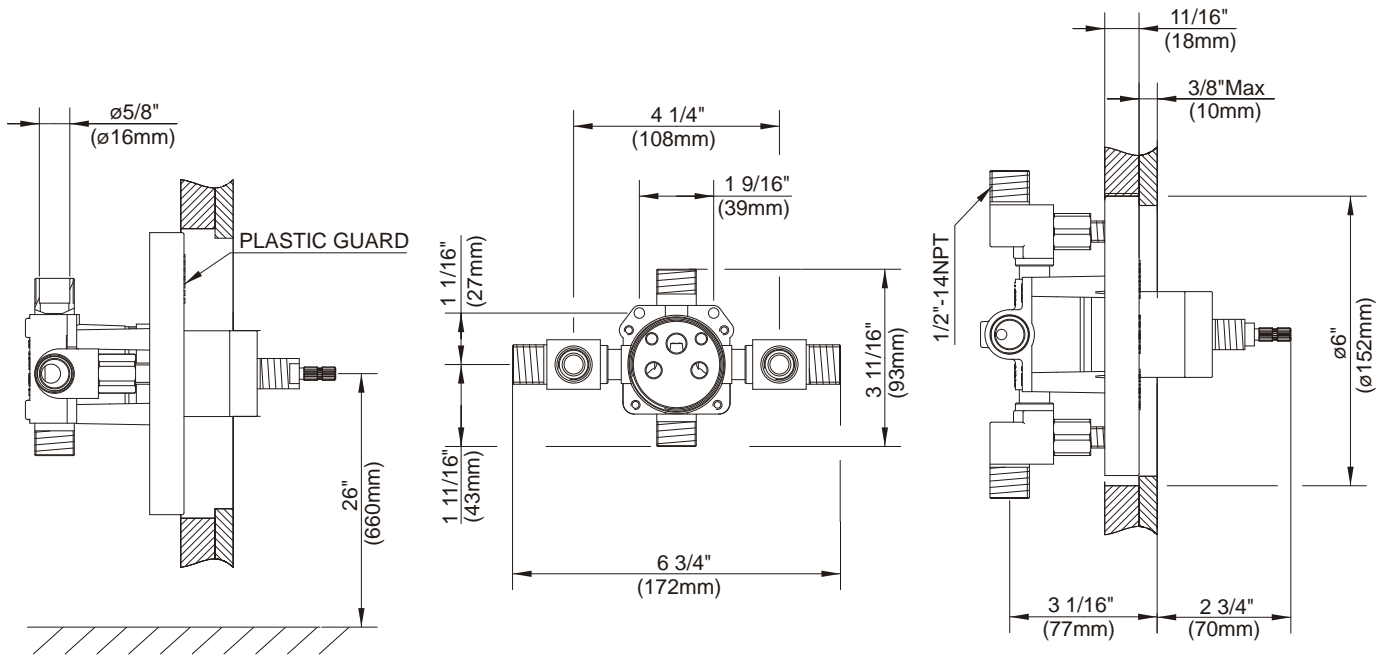


Specific Features: \_\_\_\_\_ Submitted Model No.: \_\_\_\_\_

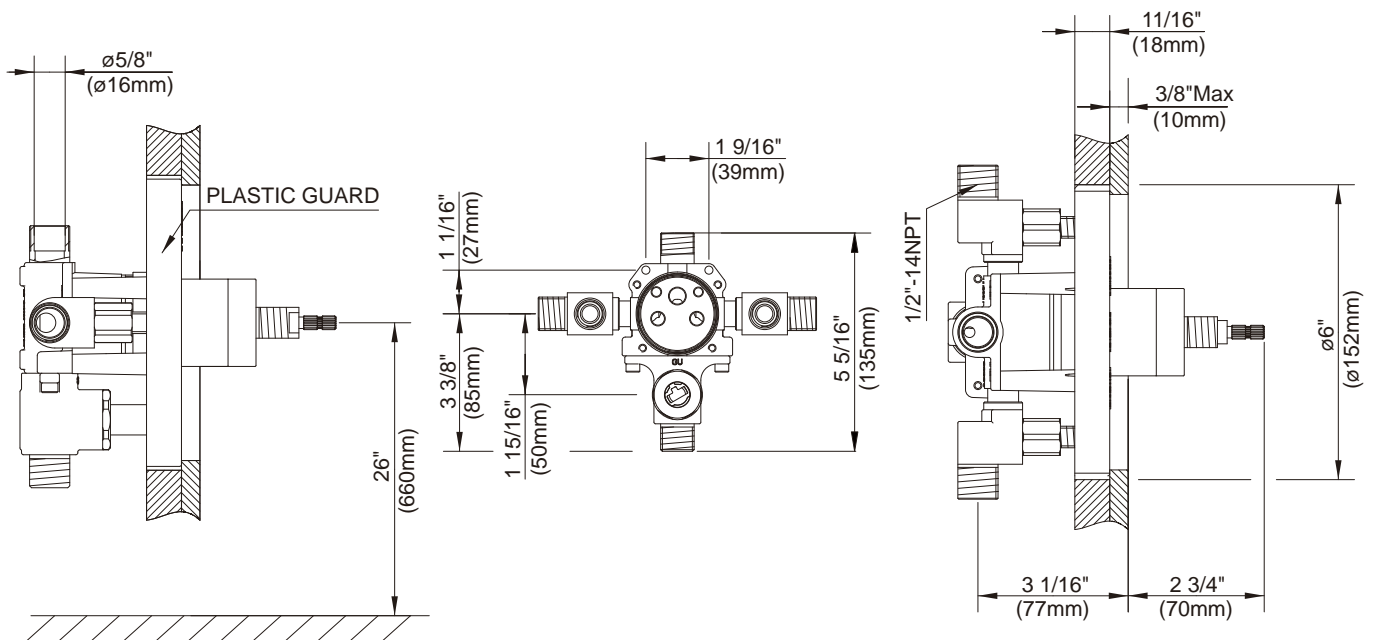
### SINGLE HANDLE PRESSURE BALANCE TUB & SHOWER VALVES

Critical Dimensions : Rough-in valve D112000BT (w/stops) & D113000BT (w/diverter & stops)

#### W/SCREWDRIVER STOPS



#### W/DIVERTER & STOPS



Specific Features: \_\_\_\_\_ Submitted Model No.: \_\_\_\_\_

SD510040/11-08.02