

### TWO HANDLE CENTERSET LAVATORY FAUCET (Produced after 07.02.08)


#### Description

- 2 handle with all brass touch down drain assembly
- Solid brass high-rise spout
- Fits 1 1/8" to 1 3/8" diameter mounting hole

#### Flow & Valving

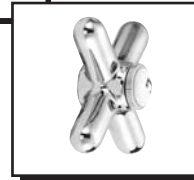
- See Chart

#### Standards

- ASME A112.18.1
- CSA B125
- NSF 61-9
- Listed IAPMO/UPC
- Energy policy act of 1992
- ADA Accessibility Guidelines for Buildings and Facilities - 4.27.4 Controls and Mechanisms (lever handles only) 
- Manufactured in compliance with EPA High Efficiency Lavatory Faucet Specification



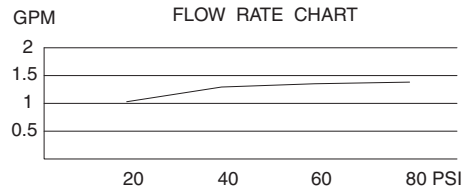
D314168  
BRANDYWOOD™



D314166  
BRANDYWOOD™

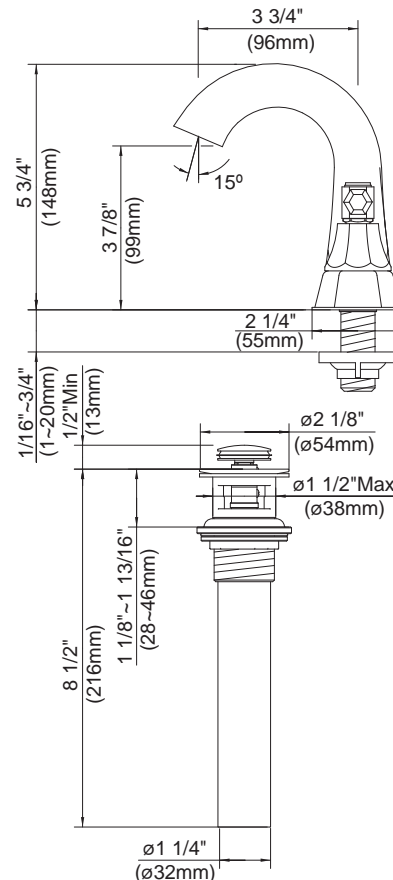
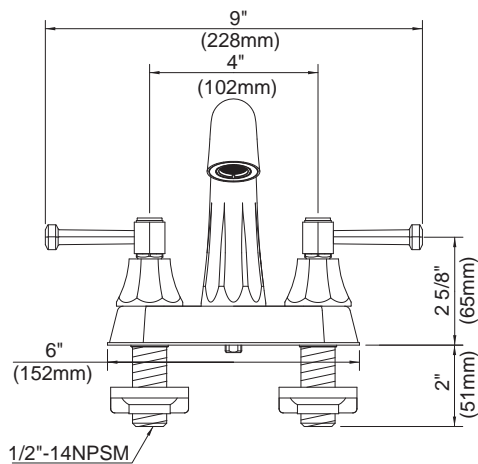
#### Available Colors & Finish

- Chrome
- Brushed Nickel (BN)



#### Warranty

Danze products are covered by a manufacturer's limited "lifetime" warranty for manufacturing defects.



Specific Features: \_\_\_\_\_ Submitted Model No.: \_\_\_\_\_

SD314168/12-08.03