

### TWO HANDLE CENTERSET LAVATORY FAUCET (Produced after 06.04.08)


#### Description

- 2 handle with all brass pop-up drain assembly
- Fits 1 1/8" to 1 3/8" diameter mounting hole

#### Flow & Valving

- See Chart

#### Standards

- ASME A112.18.1
- CSA B125
- NSF 61-9
- Listed IAPMO/UPC
- Energy policy act of 1992
- ADA Accessibility Guidelines for Buildings and Facilities - 4.27.4 Controls and Mechanisms 
- Manufactured in compliance with EPA High Efficiency Lavatory Faucet Specification

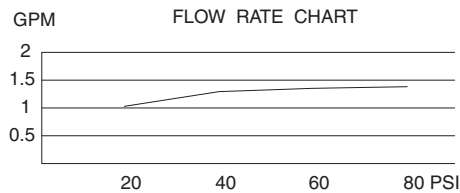


D307256  
BANNOCKBURN™



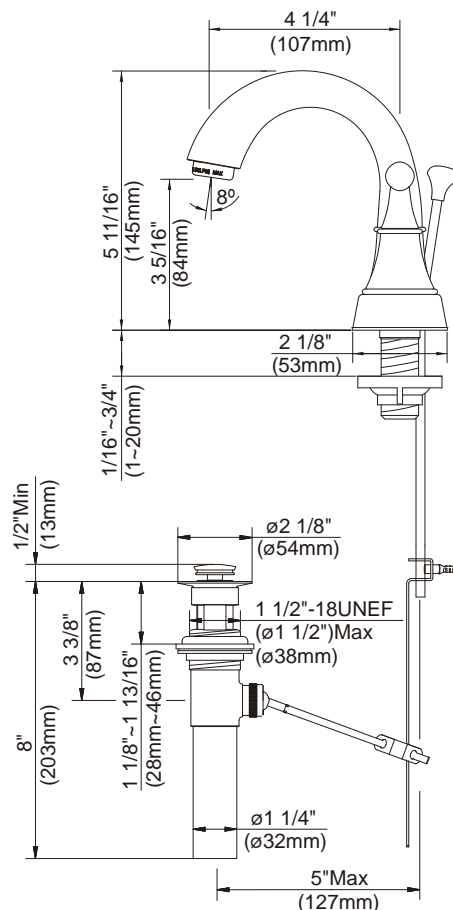
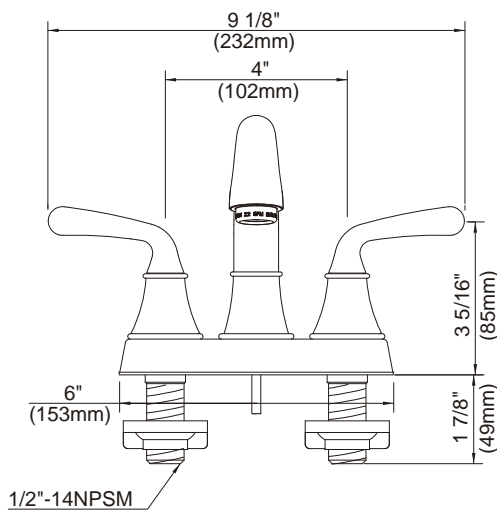
#### Available Colors & Finish

- Chrome
- Brushed Nickel (BN)
- Oil Rub Bronze (RB)



#### Warranty

Danze products are covered by a manufacturer's limited "lifetime" warranty for manufacturing defects.



Specific Features: \_\_\_\_\_ Submitted Model No.: \_\_\_\_\_

SD307256/09-08.03