

ROMAN TUB FAUCET WITH SOFT TOUCH PERSONAL SHOWER™

Description

- 2 handle with solid brass spout
- Soft Touch Personal Shower™ with integral diverter system*
- Spout plug for pressure testing & plaster guard
- Fits 1 3/8" to 1 1/2" diameter mounting hole



D302755 (shown)
SHERIDAN™



Available Colors & Finish

- Chrome
- Brushed Nickel (BN)
- Chrome with Polished Brass Accents (CPBV) ▲
- Polished Brass (PBV)
- Oil Rub Bronze (RB)
- Satin Nickel with Polished Brass Accents (SNPV) ▲

Trim Kits: (for use w/ rough-in valves)
D302555T (w/o Personal Shower)

Standards

- ASME A112.18.1
- CSA B125
- Listed IAPMO/UPC
- ADA Accessibility Guidelines for Buildings and Facilities - 4.27.4 Controls and Mechanisms

With widespread rough-in valve:

D302755 (w/Personal Shower)
D302555 (w/o Personal Shower)

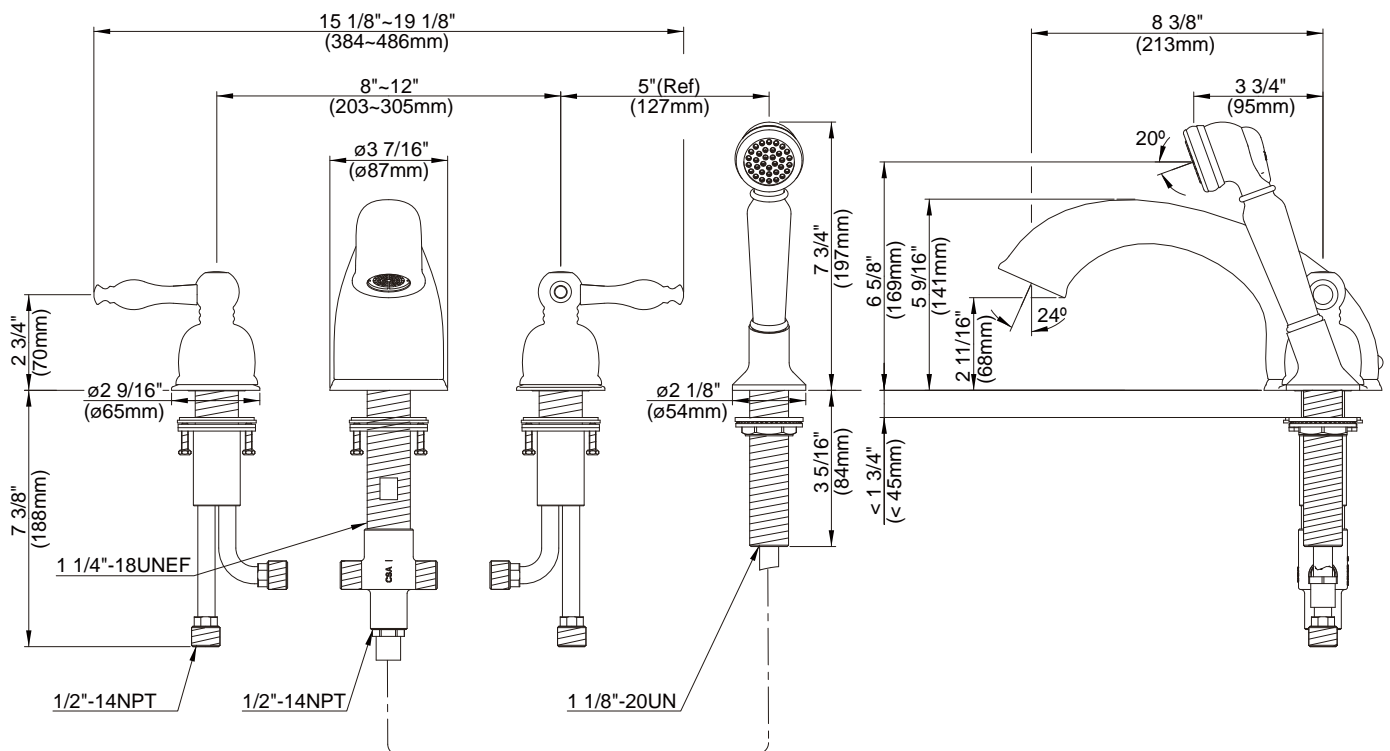
Special Packaging

- This product also available with valve packaged separate from trim.
- Use with rough-in valve:
D210000BT (10" CC fixed) OR
D215000BT (widespread)
- Valves are combination 1/2" copper sweat, 1/2" NPT threaded connectors for all ports

Warranty

Danze products are covered by a manufacturer's limited "lifetime" warranty for manufacturing defects.

▲ Will be discontinued, limited stock available



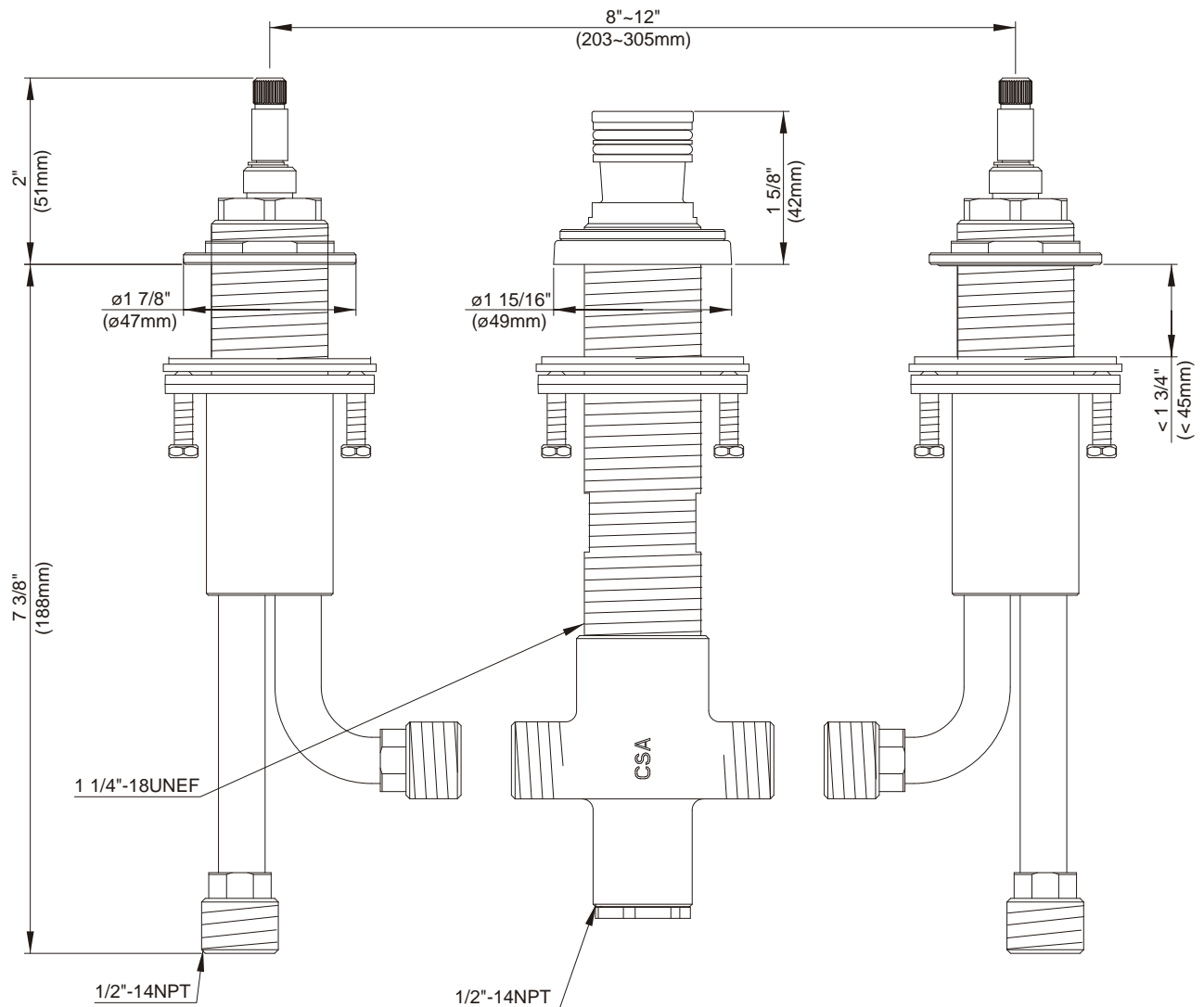
* Danze Soft Touch Personal Shower™ is designed to operate only when the button is pressed; water will flow to the spout whenever pressure is released from the button.

Specific Features: _____ Submitted Model No.: _____

SD302755/06-08.02

ROMAN TUB FAUCET ROUGH-IN VALVES-CRITICAL DIMENSIONS

Rough-in valve D215000BT (widespread)



* Installation method shown is for deck thickness of less than 1-3/4".
If the installation is for deck thickness between 1-3/4" and 3-1/2",
the sleeve nut needs to be reversed.

Specific Features: _____ Submitted Model No.: _____

SD302755/06-08.02