

SINGLE HOLE MOUNT LAVATORY FAUCET (Produced after 06.04.08)


Description

- Single hole mount
- All brass pop-up drain assembly
- Optional deck plate included
- Fits 1 1/8" to 1 3/8" diameter mounting hole

Flow & Valving

- See Chart

Standards

- ASME A112.18.1
- CSA B125
- NSF 61-9
- Listed IAPMO/UPC
- Energy policy act of 1992
- ADA Accessibility Guidelines for Buildings and Facilities - 4.27.4 Controls and Mechanisms 
- Manufactured in compliance with EPA High Efficiency Lavatory Faucet Specification

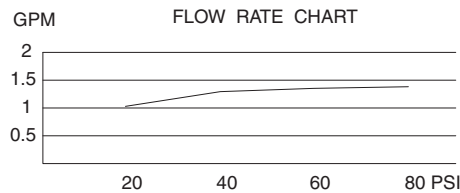


d223121
ANTIOCH™



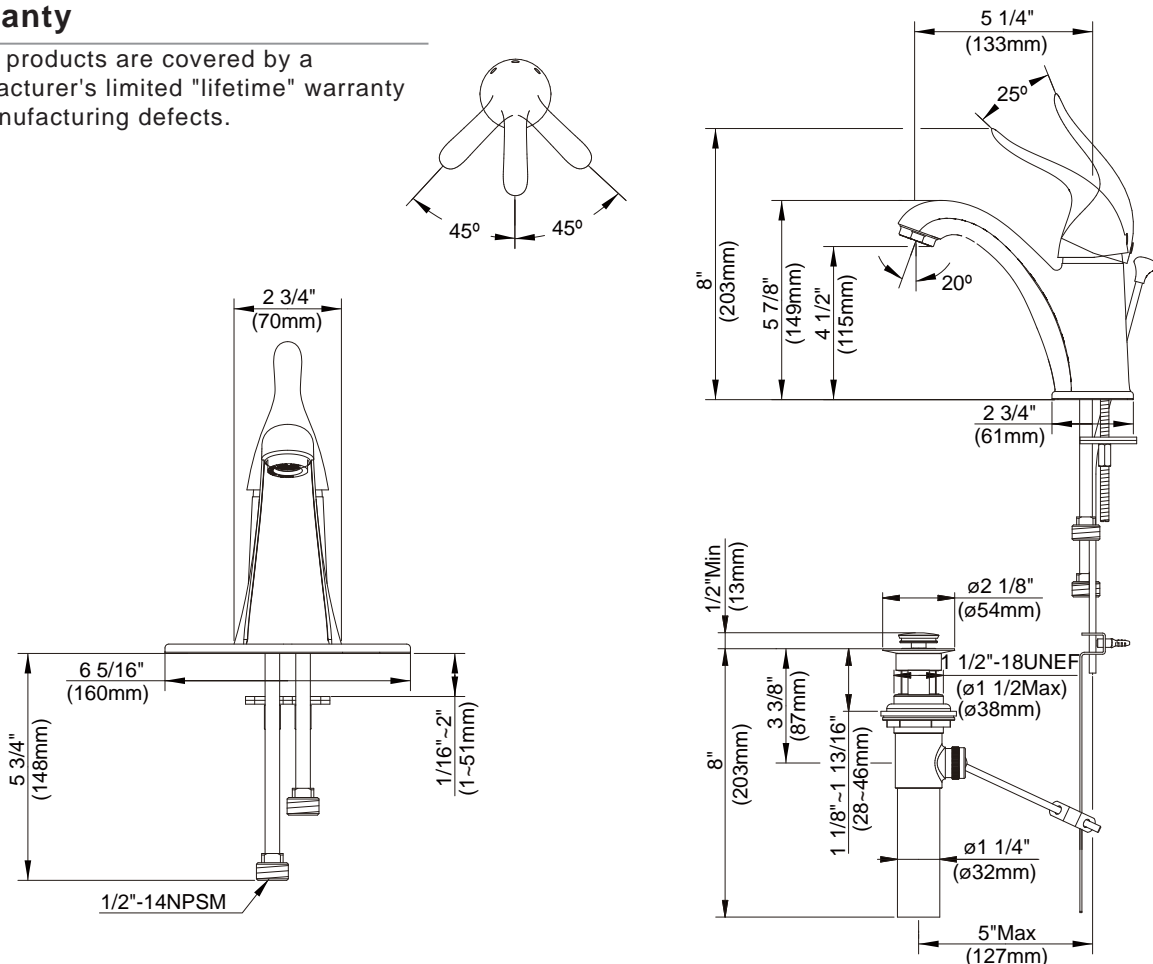
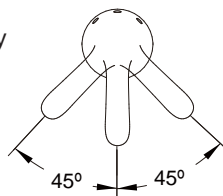
Available Colors & Finish

- Chrome
- Brushed Nickel (BN)
- Oil Rub Bronze (RB)



Warranty

Danze products are covered by a manufacturer's limited "lifetime" warranty for manufacturing defects.



Specific Features: _____ Submitted Model No.: _____

SD223121/09-08.03