

Model: T41311C Series, T41315C Series



A Moen Incorporated Brand

Capstone™



Trims for Pressure Balancing Cycling In-Wall Valve

DESCRIPTION

- Metal construction with chrome or brushed nickel finish
- Includes showerhead, arm, and flange (T41311 Series and T41315 Series only)
- Includes escutcheon and handle
- Includes diverter slip fit tub spout (T41311C Series only)
- Twelve (12) individual boxes per master carton

OPERATION

- Rotating style metal lever handle
- Temperature control by 150° arc
- Will operate with less than 5 lbs of torque
- Metal escutcheon features back printed polycarbonate overlay with red/blue international temperature marking
- Protective rubber gaskets surround interior and exterior rim
- Weep hole located at bottom of escutcheon
- Slip fit tub spout connects to 1/2" pipe with bottom 5/32" set screw

IN-WALL VALVE SOLD SEPARATELY

- 45311 Pressure balancing cycling in-wall valve with stops
- 45312 Pressure balancing cycle in-wall valve

STANDARDS

- Third party certified to CSA B125.1, ASME A112.18.1, ICC A117.1, IAPMO, and all applicable requirements referenced therein, the Federal Safe Drinking Water Act, California Proposition 65

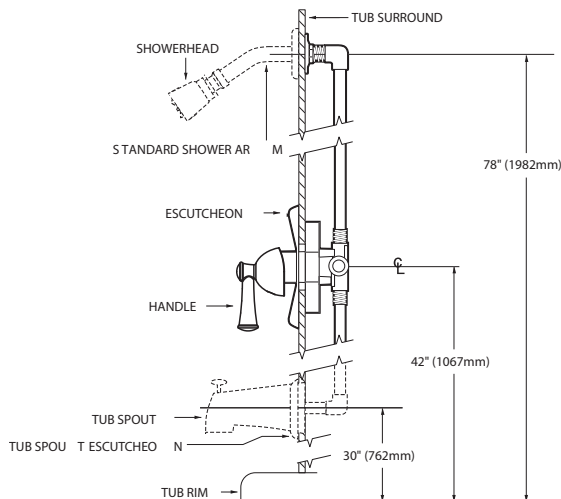
Illinois, Massachusetts, and Texas

- All CFG products are compliant to all plumbing codes that require 3rd party certification to the applicable plumbing/fitting standards

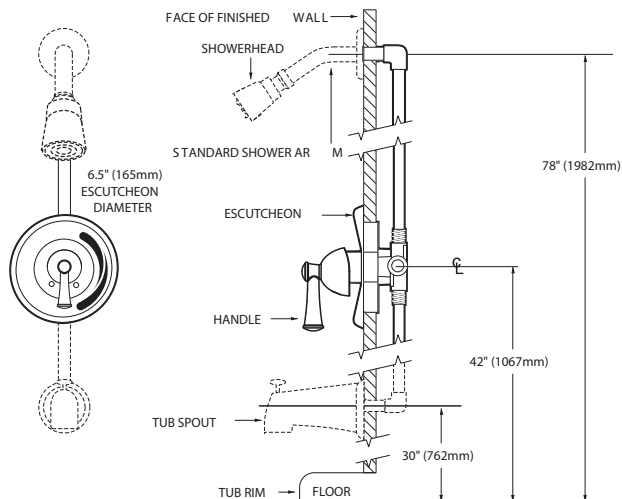
- Features red/blue hot/cold temperature indicators

WARRANTY – RESIDENTIAL, COMMERCIAL

- Ten year limited warranty against defects in materials and manufacturing workmanship
- Refer to the installation instructions enclosed with each CFG product or call 1-888-450-4910 for complete warranty information



THIN WALL



THICK WALL