



A Moen Incorporated Brand

Models:
47713L 1H Lav less waste



Flagstone®



UPC®

NSF 61/9



One Handle Lavatory Faucet Without Waste

DESCRIPTION

- Metal construction with various finishes identified by suffix
- 1/2" IPS connections
- Will accept standard cone/bevelled connection for 3/8" tubing
- Six (6) individual boxes per master carton

OPERATION

- Pivot action, lever style handle
- Temperature control by 90° arc
- International red/blue markings

FLOW

- Flow is limited to 1.5 gpm max. (5.7L/min) at 60 psi, for products made before October 2008 flow is limited to 2.2 gpm max. (8.3L/min)

CARTRIDGE

- Ceramic disc technology
- Non-metallic, non-ferrous, and plastic material
- Single body construction for easy replacement

STANDARDS

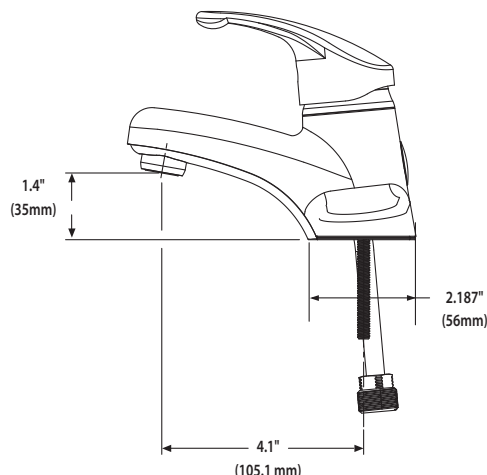
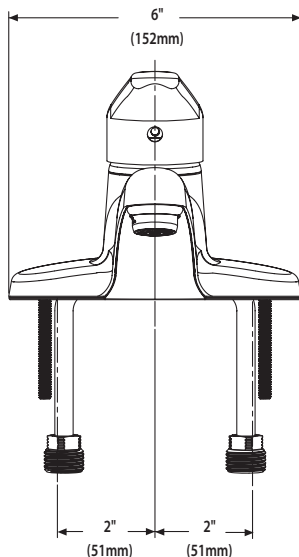
- Third party certified to WaterSense® CSA B-125.1, ASME A112.18.1, and all applicable requirements referenced therein including NSF 61/9
- Contains no more than 0.25% weighted average lead content
- Complies with California Proposition 65 and with the Federal Safe Drinking Water Act
- ADA for lever handle

WARRANTY - RESIDENTIAL, COMMERCIAL

- Ten year limited warranty against defects in materials and manufacturing workmanship
- Refer to the installation instructions enclosed with each CFG product or call 1-888-450-4910 for complete warranty information

NOTE

- This faucet is designed to be installed through 3 holes, 1" minimum diameter, 4" centers
- Maximum deck thickness 1.375" (35 mm) - Spacer provided, discard spacer if deck thickness exceeds 0.625" (15.9 mm)



CRITICAL DIMENSIONS
(DO NOT SCALE)