

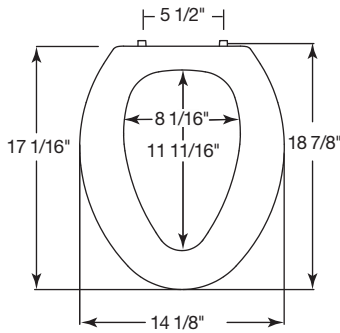


RESIDENTIAL MOLDED WOOD SEATS

MODEL 685E2

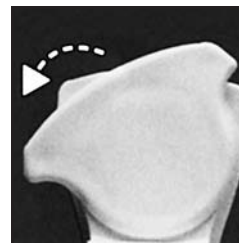
EASY•2™

- ELONGATED SEAT, CLOSED FRONT WITH COVER
- MOLDED WOOD
- EASY•2™ HINGE



Seats shall be No. 685E2 as manufactured by Church Seats. Seats shall be molded wood, multi-coat enamel finish with closed front and cover to fit elongated bowl. Color-matched bumpers and hinges. Color-matched Easy•2™ hinge eliminates slamming and pinched fingers and lifts off for easy cleaning. Color to be _____. (specify white or fixture manufacturer's color)

Ring thickness is 5/8"
 Ring thickness including the bumper is 15/16"
 Height of the seat with cover is 2-9/32"



TWIST HINGE TO UNLOCK



EASY•CLEAN™ FEATURE



SILENT EASY•CLOSE™ FEATURE