



RESIDENTIAL MOLDED WOOD TOILET SEAT



MODEL #

COLOR #

683SLOW

DESCRIPTION :

Closed front with cover, round, molded wood, multi-coat enamel finish toilet seat. Features two color-matched bumpers, color-matched Whisper•Close® with Easy•Clean & Change™ hinges with STA-TITE® Residential Fastening System™. Seat shall have an integrated solid-plastic child seat to accommodate the needs of both adult and child. Child seat secures magnetically into cover when not in use and can be removed for easy cleaning or when no longer needed.

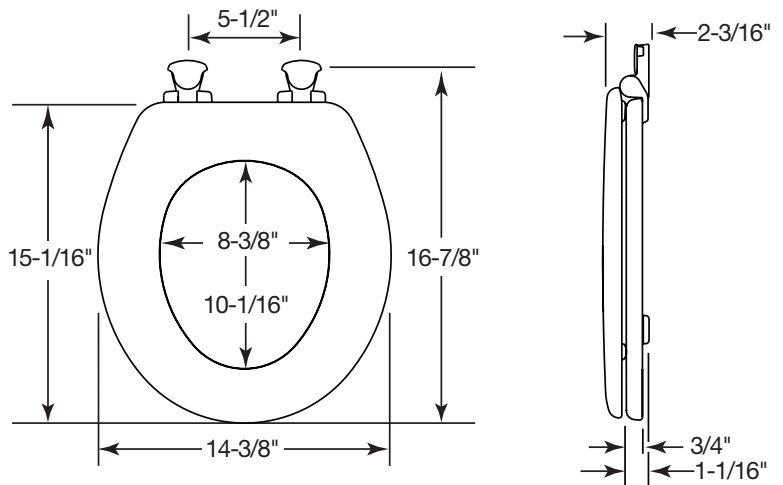
SPECIFICATIONS :

Size:	Round
Material:	Molded Wood
Style:	Closed Front with Cover
Bumpers:	Two
Hinges:	Plastic Whisper•Close® with Easy•Clean & Change™
Fastening System:	STA-TITE® Residential Fastening System™

FEATURES :

- Built-In Potty Seat™
- Whisper•Close®
- Easy•Clean & Change™
- STA-TITE® Residential Fastening System™

DIMENSIONS :



Child Ring Dimensions:
 Inside Ring Length 6-11/16"
 Inside Ring Width 5-1/4"



WHISPER•CLOSE®
FEATURE



TWIST HINGE TO UNLOCK



EASY REMOVAL OF SEAT
FOR THOROUGH CLEANING



CHILD SEAT SECURES
MAGNETICALLY INTO
COVER WHEN NOT IN USE



REMOVABLE CHILD SEAT



STA-TITE® RESIDENTIAL
FASTENING SYSTEM™

Proudly Made in the USA

Church Seats, Sheboygan Falls, WI 53085
www.ChurchSeats.com

Phone: 920-467-2664 | 800-233-7328 Fax: 920-467-8573

©2010 0B7082220