

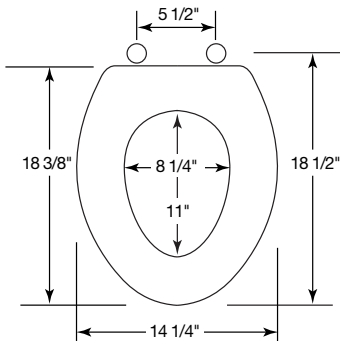


RESIDENTIAL MOLDED WOOD SEATS

MODEL 585EC

EASY•CLEAN™

- ELONGATED SEAT, CLOSED FRONT WITH COVER
- MOLDED WOOD
- EASY•CLEAN™ HINGE



Ring thickness is 5/8"  
 Ring thickness including the bumper is 7/8"  
 Height of the seat with cover is 1-7/8"

Seats shall be 585EC as manufactured by Church Seats. Seats shall be molded wood, multi-coat enamel finish with closed front and cover to fit elongated bowl. Color-matched bumpers and hinges. Easy•Clean™ hinges with non-corrosive, top-tightening bolts, wing nuts and no-slip washers. Lift-Off™ for easy cleaning or replacement. Color to be \_\_\_\_\_ (specify white or fixture manufacturer's color)



EASY•CLEAN™ HINGE



TWIST HINGE TO UNLOCK



LIFT-OFF™ FEATURE



EASY•CLEAN™ LIFTS OFF FOR EASY CLEANING