

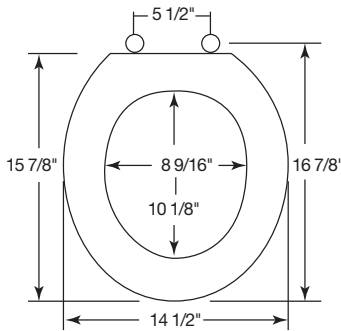


RESIDENTIAL PLASTIC SEATS

MODEL 3EC

EASY•CLEAN™

- ROUND SEAT, CLOSED FRONT WITH COVER
- SOLID PLASTIC
- EASY•CLEAN™ HINGE



Seats shall be 3EC as manufactured by Church Seats. Seats shall be residential weight and injection molded of solid plastic. Seat shall be closed front with cover for round bowl and feature molded in bumpers. Color-matched Easy•Clean™ hinges contain stainless steel pintles, non-corrosive top-tightening bolts, wing nuts and no-slip washers with Lift-Off™ features. Color to be _____. (specify white or fixture manufacturer's color)

Ring thickness is 1/2"
Ring thickness including the bumper is 13/16"
Height of the seat with cover is 1-7/8"



EASY•CLEAN™ HINGE



TWIST HINGE TO UNLOCK



LIFT-OFF™ FEATURE



EASY•CLEAN™ LIFTS OFF FOR EASY CLEANING