



RESIDENTIAL PLASTIC TOILET SEAT

MODEL #

COLOR #

380SLOWT

DESCRIPTION:

Closed front with cover, elongated, injection molded solid plastic toilet seat. Features four molded-in bumpers, color-matched Whisper•Close® with Easy•Clean & Change® hinges with STA-TITE® Seat Fastening System™.

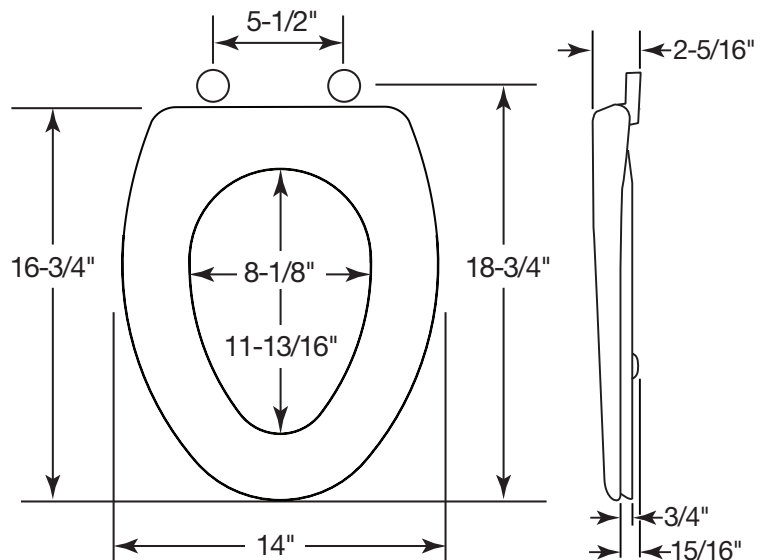
SPECIFICATIONS:

| | |
|-------------------|--|
| Size: | Elongated |
| Material: | Plastic |
| Style: | Closed Front with Cover |
| Bumpers: | Four |
| Hinges: | Plastic Whisper•Close® with Easy•Clean & Change® |
| Fastening System: | STA-TITE® Seat Fastening System™ |

FEATURES:

- Whisper•Close®
- Easy•Clean & Change®
- STA-TITE® Seat Fastening System™

DIMENSIONS:



PLASTIC WHISPER•CLOSE® WITH EASY•CLEAN & CHANGE® HINGES



WHISPER•CLOSE® FEATURE



TWIST HINGES TO UNLOCK



EASY REMOVAL OF SEAT FOR THOROUGH CLEANING



STA-TITE® SEAT FASTENING SYSTEM™

Proudly Made in the USA

Church Seats, Sheboygan Falls, WI 53085
www.ToiletSeats.com

Phone: 800-233-7328 Fax: 800-292-3647