



# RESIDENTIAL PLASTIC TOILET SEAT



MODEL #

COLOR #

## 300SLOWT

### DESCRIPTION :

Closed front with cover, round, injection molded solid plastic toilet seat. Features four molded-in bumpers, color-matched Whisper•Close® with Easy•Clean & Change® hinges with STA-TITE® Seat Fastening System™.

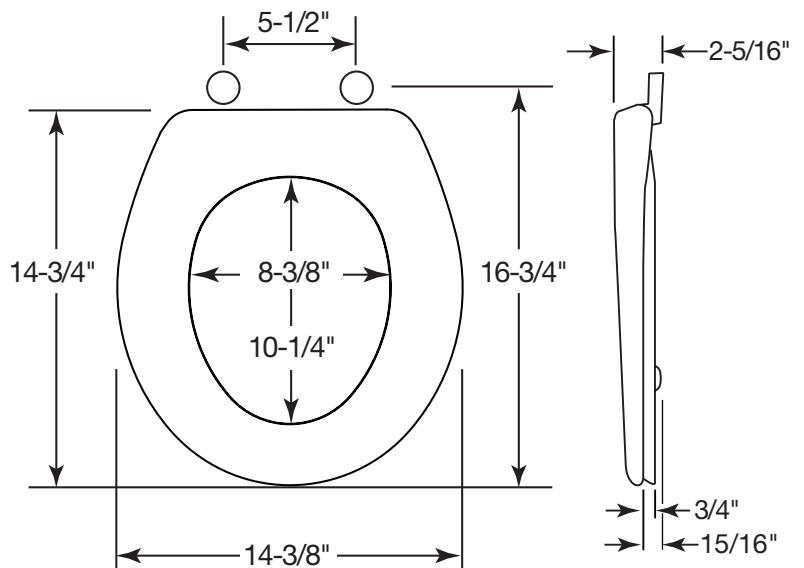
### SPECIFICATIONS :

Size:	Round
Material:	Plastic
Style:	Closed Front with Cover
Bumpers:	Four
Hinges:	Plastic Whisper•Close® with Easy•Clean & Change®
Fastening System:	STA-TITE® Seat Fastening System™

### FEATURES :

- Whisper•Close®
- Easy•Clean & Change®
- STA-TITE® Seat Fastening System™

### DIMENSIONS :



PLASTIC WHISPER•CLOSE® WITH EASY•CLEAN & CHANGE® HINGES



WHISPER•CLOSE® FEATURE



TWIST HINGES TO UNLOCK



EASY REMOVAL OF SEAT FOR THOROUGH CLEANING



STA-TITE® SEAT FASTENING SYSTEM™

Proudly Made in the USA

Church Seats, Sheboygan Falls, WI 53085  
www.ToiletSeats.com

Phone: 800-233-7328 Fax: 800-292-3647  
©2014 0B7082212 REVA