



RESIDENTIAL PLASTIC TOILET SEAT

MODEL #

COLOR #

1200SLOWT

DESCRIPTION :

Closed front with cover, elongated, injection molded solid plastic toilet seat. Features four molded-in bumpers, color-matched Whisper•Close® with Easy•Clean & Change™ hinges with STA-TITE® Residential Fastening System™. Seat contains DuraGuard®* Antimicrobial Built-in Seat Protection™.

* DuraGuard® is available on certain colors only, see Bemis Price List for additional information.

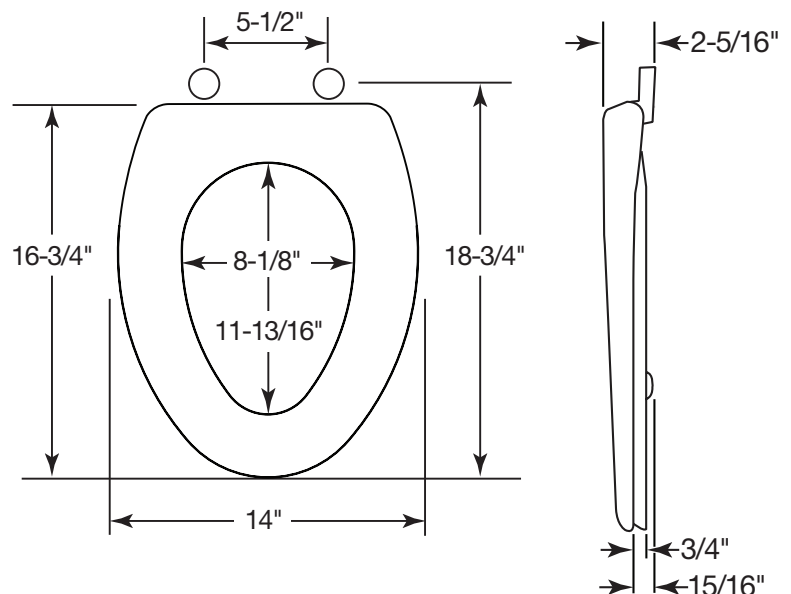
SPECIFICATIONS :

| | |
|-------------------|--|
| Size: | Elongated |
| Material: | Plastic |
| Style: | Closed Front with Cover |
| Bumpers: | Four |
| Hinges: | Plastic Whisper•Close® with Easy•Clean & Change™ |
| Fastening System: | STA-TITE® Residential Fastening System™ |

FEATURES :

- Whisper•Close®
- Easy•Clean & Change™
- STA-TITE® Residential Fastening System™
- DuraGuard®* Antimicrobial Built-in Seat Protection™

DIMENSIONS :



PLASTIC WHISPER•CLOSE® WITH EASY•CLEAN & CHANGE™ HINGES



WHISPER•CLOSE® FEATURE



TWIST HINGES TO UNLOCK



EASY REMOVAL OF SEAT FOR THOROUGH CLEANING



STA-TITE® RESIDENTIAL FASTENING SYSTEM™

Proudly Made in the USA

Bemis Manufacturing Co., Sheboygan Falls, WI 53085
www.BemisSeats.com

Phone: 920-467-4621 | 800-558-7651 Fax: 920-467-8573