

83-77NF

Pre-Rinse/Pot Filler Hose and Handle

PRODUCT TYPE

Pre-Rinse/Pot Filler Hose and Handle

FEATURES & SPECIFICATIONS

- 77" Stainless steel hose and handle assembly
- T&S and Fisher adapters supplied
- Insulated handle
- 3/8" NPT male inlet
- 3/4" - 14 UNS female outlet
- 3/8" NPT x 1/4" NPT adapter to fit Fisher riser
- 3/8" NPT x 3/4" - 14 UNS adapter to fit T&S riser

PERFORMANCE SPECIFICATION

- Rated Operating Pressure: 20-125 PSI
- Rated Operating Temperature: 40-140° F

WARRANTY

- Lifetime Limited Faucet Warranty
- 1-Year Limited Finish Warranty

COMPLIANT TO

- ASME A112.18.1M
- NSF 61, Sec. 9
- CSA B125

Job Name	_____
Item Number	_____
Section/Tag	_____
Model Specified	_____
Architect	_____
Engineer	_____
Contractor	_____
<input type="checkbox"/> Submitted as Shown	<input type="checkbox"/> Submitted with Variations
Date	_____

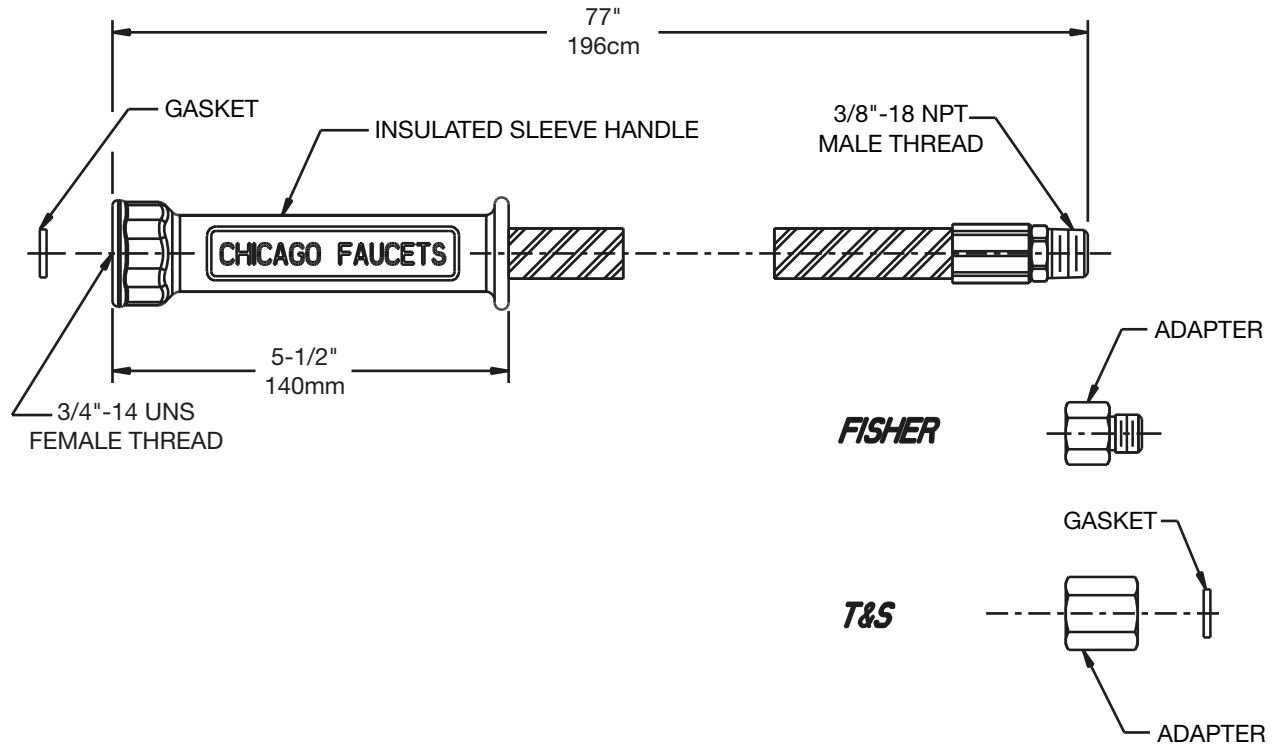


83-77NF

Pre-Rinse/Pot Filler Hose and Handle

ARCHITECT/ENGINEER SPECIFICATION

Chicago Faucets No. 83-77NF, 77" Stainless steel hose and handle assembly with T&S and Fisher adapters supplied. Insulated handle, 3/8" NPT male inlet, 3/4" - 14 UNS female outlet. This product is tested and certified to industry standards: ASME A112.18.1, NSF 61, Sec. 9 and CSA B125.



OPERATION AND MAINTENANCE

Installation should be in accordance with local plumbing codes. Flush all pipes thoroughly before installation. After installation, remove spout outlet or flow control and flush faucet thoroughly to clear any debris. Care should be taken when cleaning this product. Do not use abrasive cleaners, chemicals or solvents as they can result in surface damage. Use mild soap and warm water for cleaning and protecting the life of Chicago Faucet products. For specific operation and maintenance refer to the installation instructions and repair parts documents that are located at www.chicagofaucets.com.

Chicago Faucets, member of the Geberit Group, is the leading brand of commercial faucets and fittings in the United States, offering a complete range of products for schools, laboratories, hospitals, office buildings, food service, airports and sport facilities. Call 1.800.TECTRUE or 1.847.803.5000 Option 1 for installation or other technical assistance.