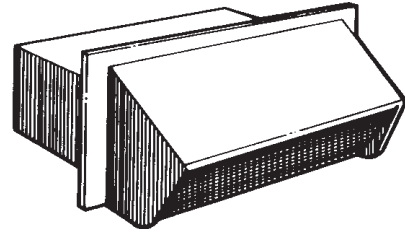
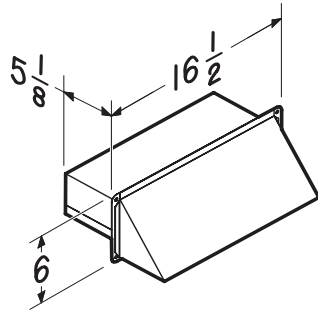


### WALL CAPS



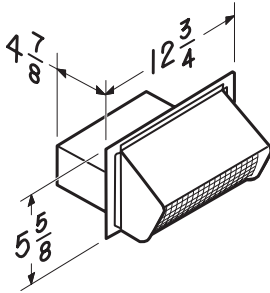
#### Model WC638

- For 3 1/4" x 14" duct
- Spring-loaded backdraft damper and bird screen
- 26 GA CRCQ Steel, black finish



#### Model 639

- For 3 1/4" x 10" duct
- Spring-loaded backdraft damper and bird screen
- 24 GA CRCQ Steel, black electrically-bonded epoxy finish
- Do not use for dryer venting

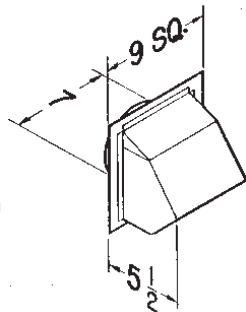


#### Model 649

- Same features as Model 639
- .025 Aluminum - natural finish

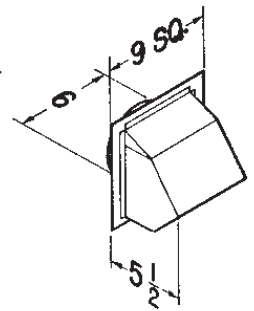
#### Model 647

- For 7" round duct
- Spring-loaded backdraft damper and bird screen
- .025 Aluminum - natural finish
- Do not use for dryer venting



#### Model 843BL

- For 6" round duct
- Spring-loaded backdraft damper and bird screen
- 22 GA CRCQ Steel, black electrically-bonded epoxy finish
- Attachment collar 1 1/4" long
- Do not use for dryer venting



#### Model 641

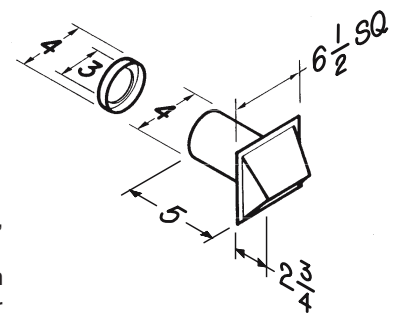
- Same features as Model 843BL
- .025 Aluminum - natural finish

#### Model 641FA

- Same features as Model 641
- Without backdraft damper
- Intended for make-up air inlet applications

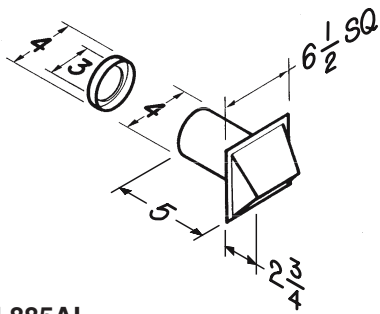
#### Model 885BL

- For 3" or 4" round duct (4" to 3" transition included)
- Spring-loaded backdraft damper and bird screen
- 24 GA CRCQ Steel, black electrically-bonded epoxy finish
- Do not use for dryer venting



Broan-NuTone LLC Hartford, Wisconsin www.broan.com 800-558-1711

REFERENCE	QTY.	REMARKS	Project
			Location
			Architect
			Engineer
			Contractor
			Submitted by Date



**Model 885AL**

- For 3" or 4" round duct (4" to 3" transition included)
- Spring-loaded backdraft damper and bird screen
- .025 Aluminum - natural finish
- Do not use for dryer venting

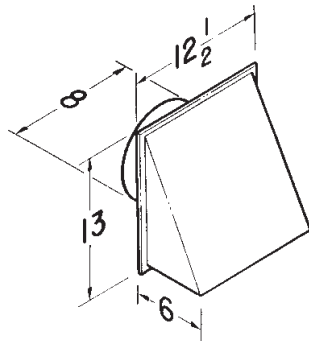
**Model 610FA**

- For 10" round duct
- .025 Aluminum - natural finish
- Attachment collar 3-3/8" long
- Without backdraft damper
- Intended for make-up air inlet applications



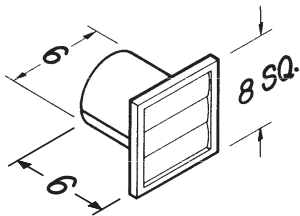
**Model 643**

- For 8" round duct
- Built-in backdraft damper
- .025 Aluminum - natural finish
- Attachment collar 3-3/8" long



**Model 643FA**

- Same features as Model 643
- Without backdraft damper
- Intended for make-up air inlet applications

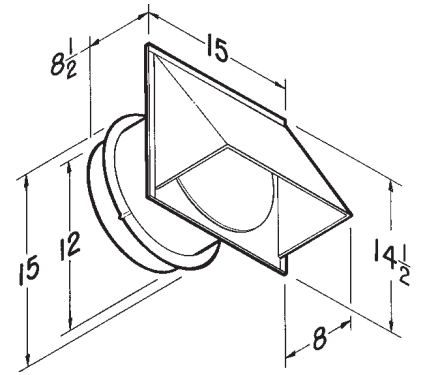


**Model 646**

- For 6" round duct
- Polymeric construction - white finish

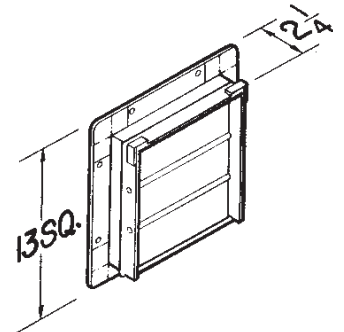
**Model 613**

- For 12" round duct
- High capacity
- Built-in backdraft damper and bird screen
- .025 Aluminum - natural finish



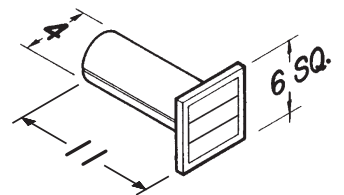
**Model 441**

- Gravity dampers
- Collar with bird screen for attaching 10" round duct
- 24 GA CRCQ steel construction with aluminum louvers



**Model 450 Flexible Wall Ducting Kit**

- Includes 5 ft. of 4", flexible, vinyl ducting, 4" diameter metal duct connector, 2 duct clamps, 4" to 3" reducer and a polymeric louvered wall vent



**Model WC650**

- White wall cap for 4" round duct - includes 4 mounting screws
- Engineered resin material for impact and UV resistance
- Weighted backdraft damper guards against wind, birds or lint build-up
- 4" diameter metal duct connector



**Model WVK2A Flexible Wall Ducting Kit**

- Includes 5 ft. of 4", flexible, 2-ply metallic laminate ducting, 10" long 4" diameter metal duct, 2 duct clamps, 4" to 3" reducer, an engineered resin material wall vent, and mounting screws
- Duct conforms to UL181 Class 1 air connector requirements
- Do not use for dryer venting

