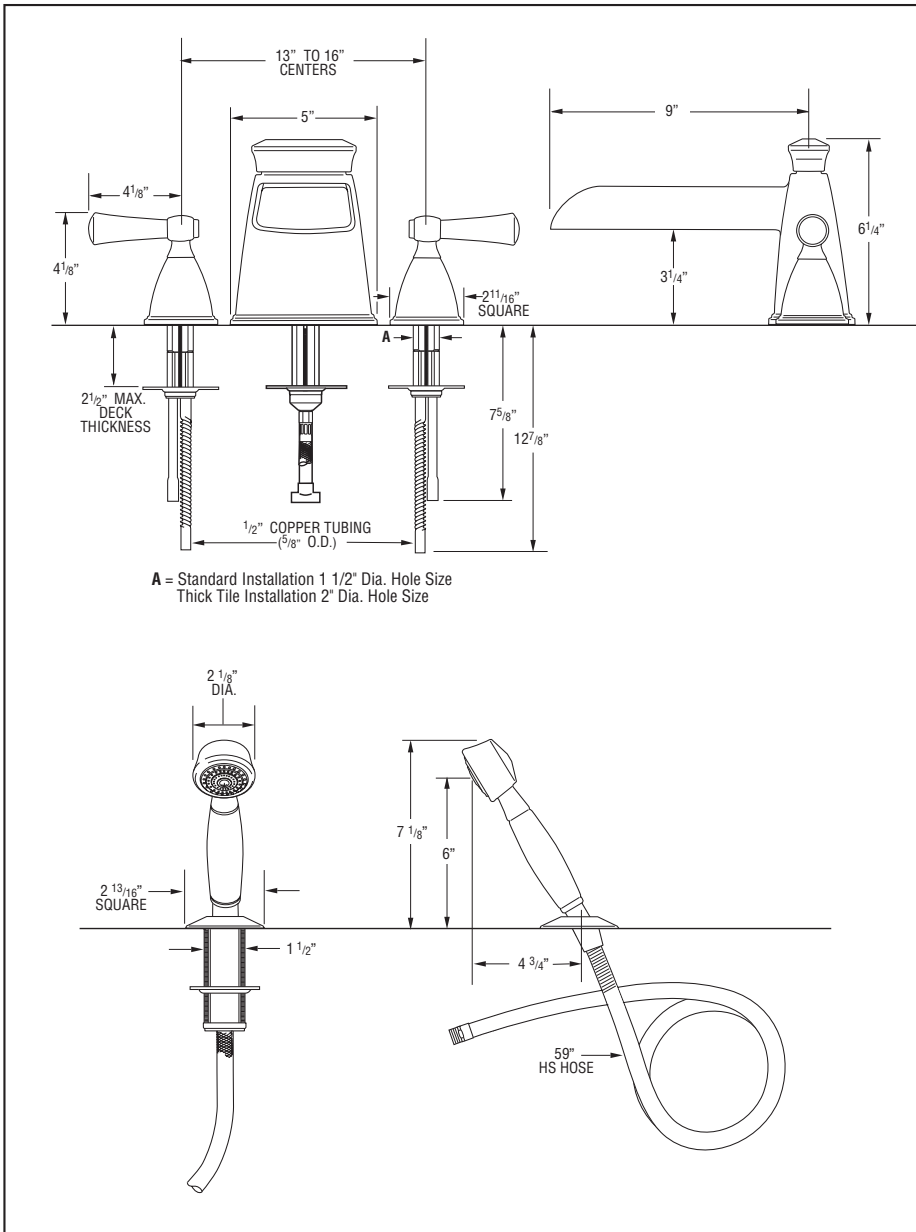


T67745▲

Submitted Model No.: _____

Specific Features: _____



A = Standard Installation 1 1/2" Dia. Hole Size
Thick Tile Installation 2" Dia. Hole Size

▲ Designate Proper Finish Suffix

BRIZO®

BATH VALVES

- Vesi™ Collection Open Channel Spout
- Two-Handle Roman Tub Valve Trim
- Flexible Deck or Ledge Mount
- Ceramic Disc Valving
- 13" – 16" Centers
- Adjustable Rough-In (R64707) for Thin or Thick Deck Installations Must be Ordered Separately
- Four Hole Installation

STANDARD SPECIFICATIONS:

- Roman tub valve.
- 13" – 16" centers.
- Valve mechanism shall be of the rotating cylinder type with 180° rotation.
- Ceramic disc valving.
- Hot and cold stem units shall be interchangeable.
- All operating parts shall be replaceable from the top.
- Adjustable rough-in for thick and thin deck installations.
- Handshower has two integral check valves for backflow protection.
- Handshower flows 2.0 gpm @ 80 psi.
- Rough-in kit (R64707) must be ordered to complete installation.

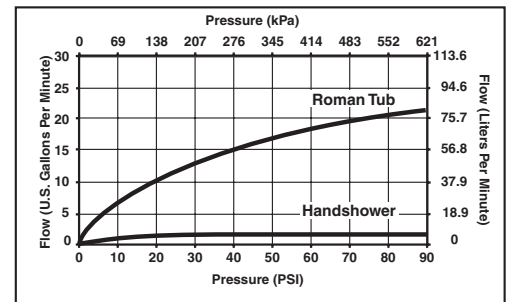
WARRANTY

- Lifetime limited warranty on parts (other than electronic parts and batteries) and finishes: or, for commercial users, for 5 years from date of purchase.
- 5 year limited warranty on electronic parts (other than batteries); or, for commercial users, for 1 year from the date of purchase. No warranty is provided on batteries.



COMPLIES WITH:

- ANSI/ASME A112.18.1 / CSA B125.1
- ICC/ANSI A117.1



Delta Faucet Company

Indianapolis, Indiana 46280
A Division of Masco Corporation of Indiana
© 2013 Masco Corporation of Indiana

Delta reserves the right (1) to make changes in specifications and materials, and (2) to change or discontinue models, both without notice or obligation. Dimensions are for reference only. See current full-line price book or www.brizo.com for finish options and product availability.