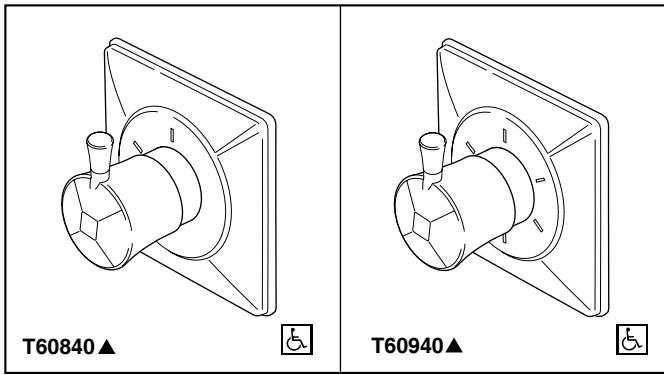


BRIZO®

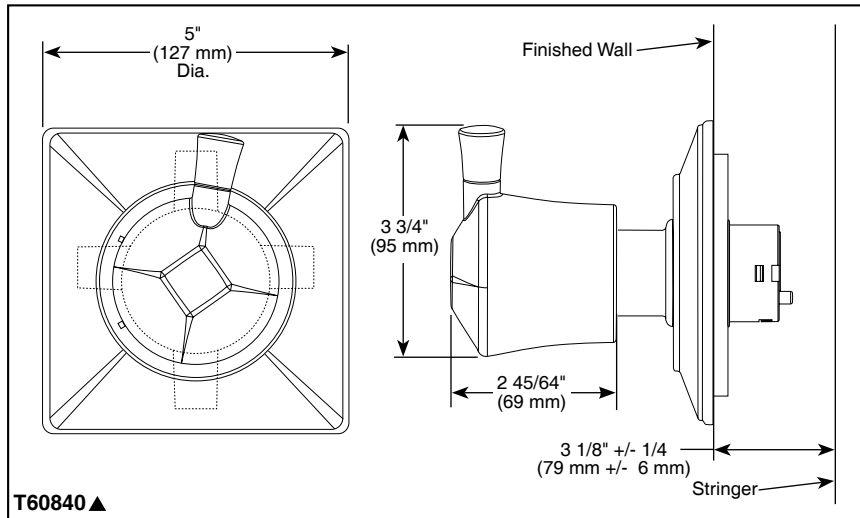
CUSTOM SHOWER DIVERTER

- Vesi® Collection
- Three Function Diverter Trim (T60840)
- Six Function Diverter Trim (T60940)

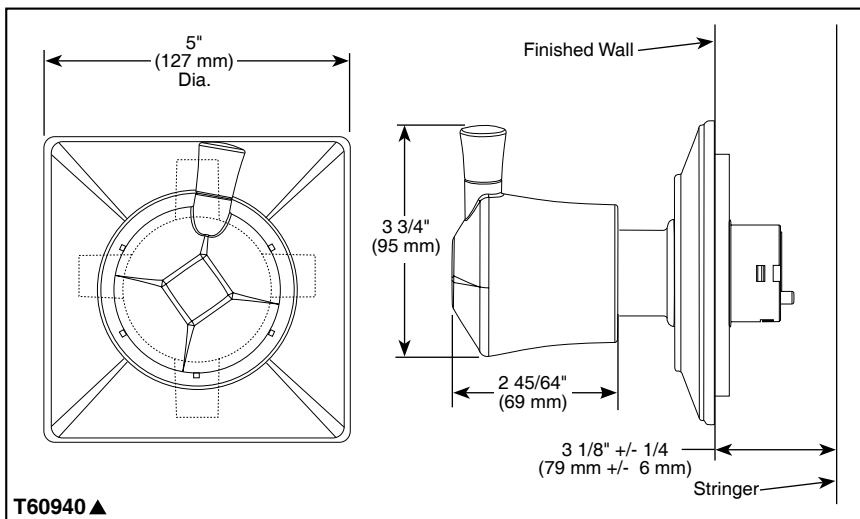


Submitted Model No.: _____

Specific Features: _____



T60840 ▲



T60940 ▲

STANDARD SPECIFICATIONS


- Three function diverter 2 individual positions, 1 shared position.
- Six function diverter 3 individual positions, 3 shared positions.
- Must also order R60700 rough-in.
- Non shared 3 function cartridge RP72123 and 6 function cartridge RP72124 are available.

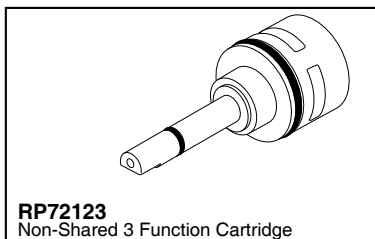
WARRANTY

- Lifetime Faucet and Finish Limited Warranty to the original consumer purchaser to be free from defects in material and workmanship.
- 5 Year Limited Warranty for usage in all industrial, commercial and business applications.

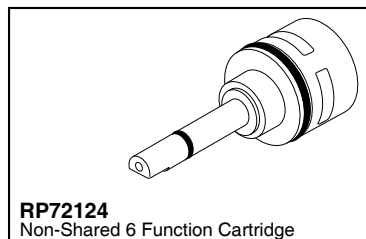


COMPLIES WITH:

- ASME A112.18.1 / CSA B125.1
-  Indicates compliance to ICC/ANSI A117.1



RP72123
Non-Shared 3 Function Cartridge



RP72124
Non-Shared 6 Function Cartridge

▲ Designate proper finish suffix

Delta reserves the right (1) to make changes in specifications and materials, and (2) to change or discontinue models, both without notice or obligation. Dimensions are for reference only. See current full-line price book or www.specselect.com for finish options and product availability.

BSP-B-T60840 Rev. B

Delta Faucet Company

55 E. 111th Street, Indianapolis, Indiana 46280
350 South Edgeware Road, St. Thomas, Ontario Canada N5P 4L1
© 2012 Masco Corporation of Indiana