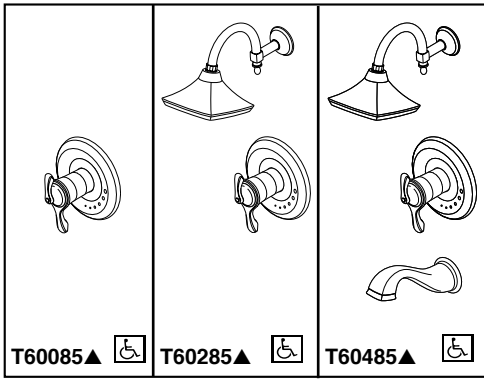


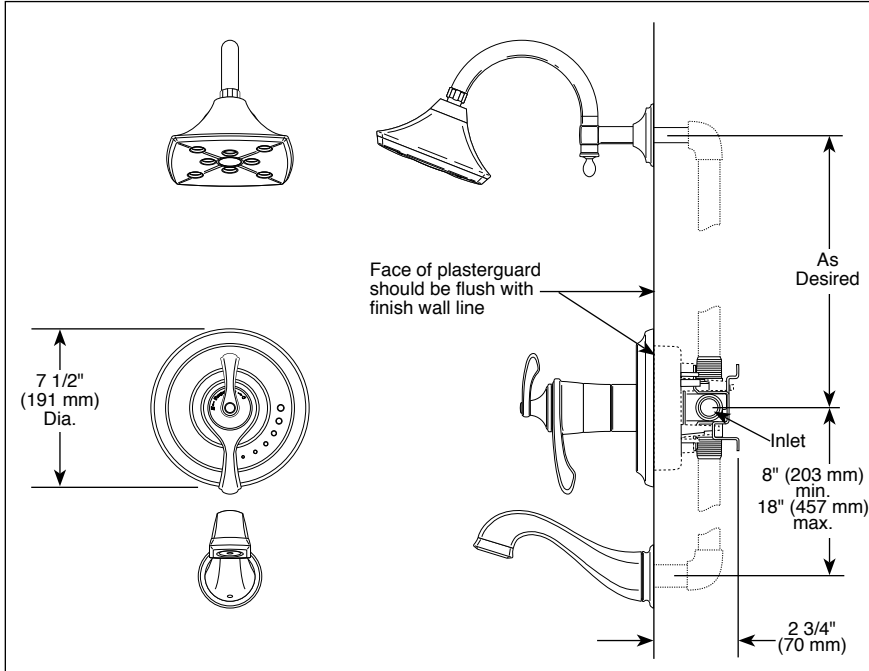
BRIZO®

TUB AND SHOWER FAUCET TRIM

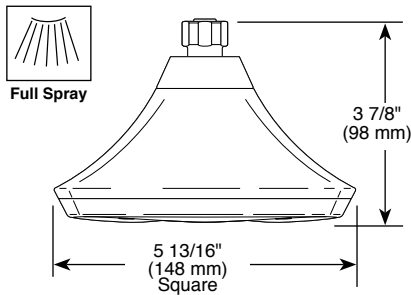


Submitted Model No.: _____

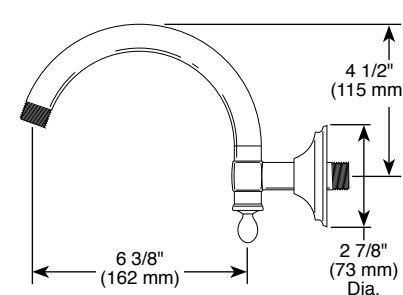
Specific Features: _____



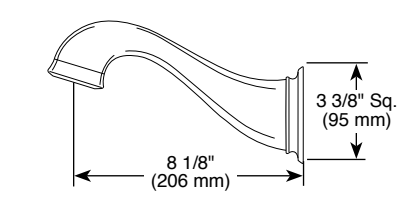
87385▲ Raincan Showerhead



RP70909▲ Shower Arm



RP70908▲ (Pull-Down Diverter)



▲ Designate proper finish suffix

- Charlotte™ Bath Collection
- TempAssure® Thermostatic
- Valve Only (T60085)
- Shower Only (T60285)
- Tub/Shower (T60485)

STANDARD SPECIFICATIONS:

- TempAssure® thermostatic valve cartridge.
- Thermostatic wax element maintains the outlet temperature to $\pm 3.6^\circ\text{F}$.
- Must also order R60000-UNBX rough valve body.
- Back-to-back installation capability.
- Lever volume control handle; temperature adjustment lever.
- Graphics indicate hot/cold temperature adjustment.
- Field adjustable to limit handle rotation into hot water zone.
- All parts replaceable from the front of the valve.
- Adjusts for up to 1" wall thickness.
- Single function H₂Okinetic Technology® showerhead; 2.0 gpm @ 80 PSI.
- Decorative, cast brass tub spout with slip-on feature and pull down diverter.

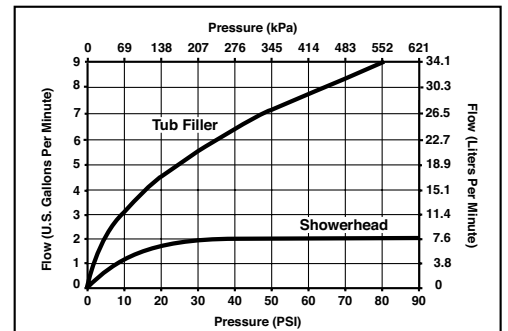
WARRANTY

- Lifetime Faucet and Finish Limited Warranty to the original consumer purchaser to be free from defects in material and workmanship.
- 5 Year Limited Warranty for usage in all industrial, commercial and business applications.



COMPLIES WITH:

- ASME A112.18.1 / CSA B125.1
- ASSE 1016 Type T
- Indicates compliance to ICC/ANSI A117.1
- EPA WaterSense®



Delta reserves the right (1) to make changes in specifications and materials, and (2) to change or discontinue models, both without notice or obligation. Dimensions are for reference only. See current full-line price book or www.brizo.com for finish options and product availability.

BSP-B-T60085 Rev. B

Delta Faucet Company

55 E. 111th Street, Indianapolis, Indiana 46280
 350 South Edgeware Road, St. Thomas, Ontario, Canada N5P 4L1
 © 2012 Masco Corporation of Indiana