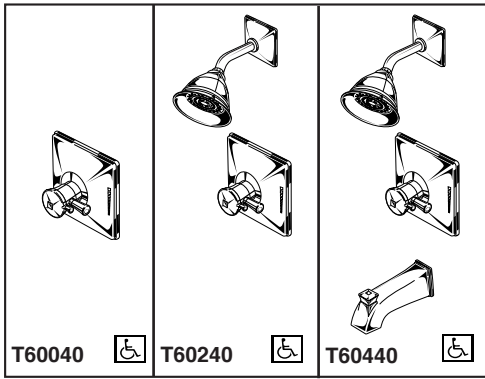


BRIZO®

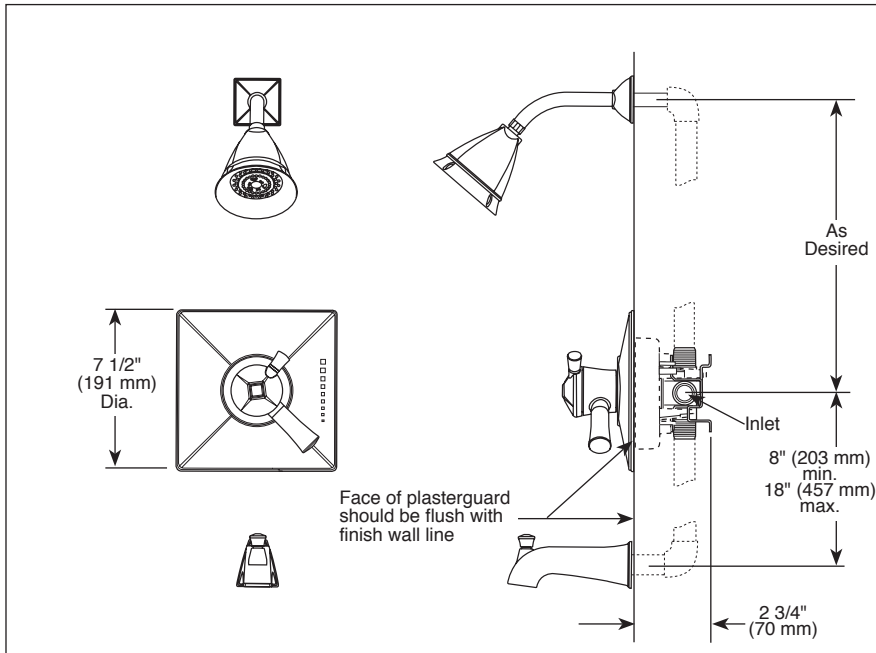
TUB AND SHOWER FAUCET TRIM



- Vesi® Collection
- TempAssure® Thermostatic
- Valve Only (T60040)
- Shower Only (T60240)
- Tub/Shower (T60440)

Submitted Model No.: _____

Specific Features: _____



STANDARD SPECIFICATIONS:

- TempAssure® 60 series thermostatic valve cartridge.
- Thermostatic wax element maintains the outlet temperature to $\pm 3.6^{\circ}\text{F}$.
- Must also order R60000-UNBX rough valve body.
- Back-to-back installation capability.
- Lever volume control handle; temperature adjustment dial.
- Graphics indicate hot/cold temperature adjustment.
- Field adjustable to limit handle rotation into hot water zone.
- All parts replaceable from the front of the valve.
- Adjusts for up to 1" wall thickness.

WARRANTY

- Lifetime limited warranty on parts (other than electronic parts and batteries) and finishes; or, for commercial users, for 5 years from date of purchase.
- 5 year limited warranty on electronic parts (other than batteries); or, for commercial users, for 1 year from the date of purchase. No warranty is provided on batteries.



COMPLIES WITH:

- ASME A112.18.1 / CSA B125.1
- ASSE 1016
- Indicates compliance to ICC/ANSI A117.1

RP42431▲ Showerhead

Full Spray
5" (127 mm)

Massaging Spray

Soft Drench Spray
4 29/32" (125 mm)

RP40593▲ Shower Arm

7" (178 mm)

13/16" (21 mm)

RP74785 Available Extension Kit

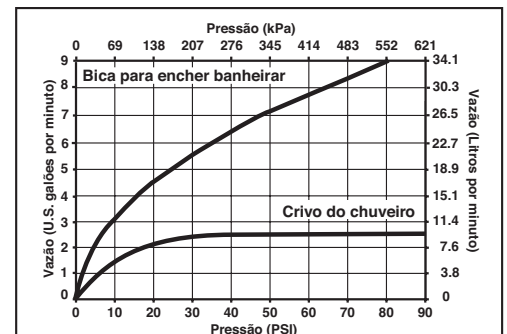
RP49126▲ (Pull-Up Diverter)

6 1/2" (165 mm)

2 13/16" (71 mm)

RP424309▲ Flange

2" (51 mm)



▲ Designate proper finish suffix

Delta reserves the right (1) to make changes in specifications and materials, and (2) to change or discontinue models, both without notice or obligation. Dimensions are for reference only. See current full-line price book or www.brizo.com for finish options and product availability.
BSP-B-T60040 Rev. E

Delta Faucet Company

Indianapolis, Indiana 46280
A Division of Masco Corporation of Indiana
© 2013 Masco Corporation of Indiana