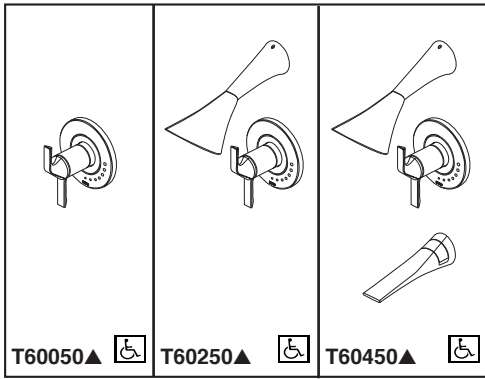


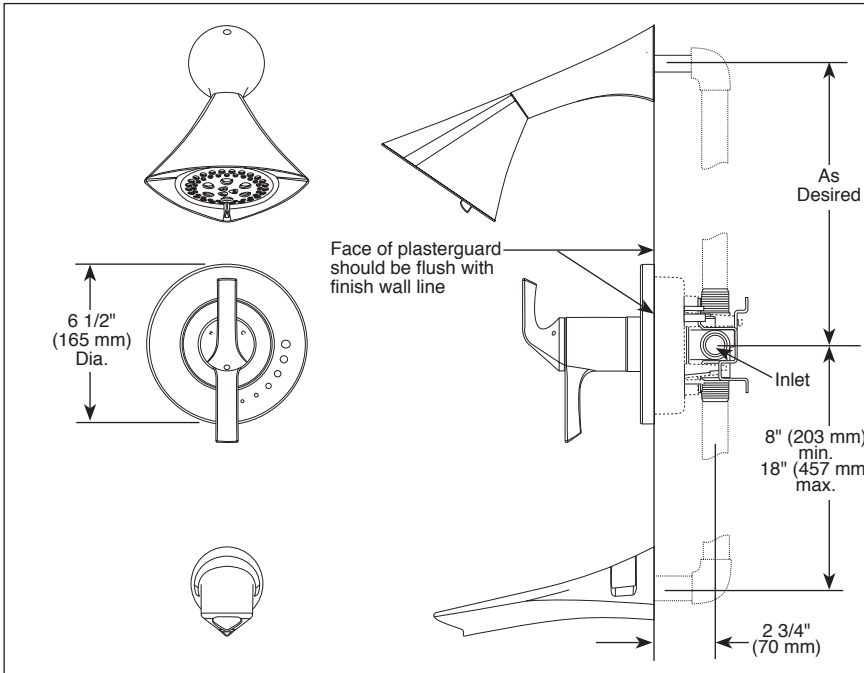
# BRIZO®

## TUB AND SHOWER FAUCET TRIM



Submitted Model No.: \_\_\_\_\_

Specific Features: \_\_\_\_\_



### STANDARD SPECIFICATIONS:

- TempAssure® thermostatic valve cartridge.
- Thermostatic wax element maintains the outlet temperature to  $\pm 3.6^\circ\text{F}$ .
- Must also order MultiChoice® Universal rough valve body.
- Back-to-back installation capability.
- Lever volume control handle; temperature adjustment lever.
- Graphics indicate hot/cold temperature adjustment.
- Field adjustable to limit handle rotation into hot water zone.
- All parts replaceable from the front of the valve.
- Adjusts for up to 1" wall thickness. Optional extension kit (RP74785) extends rough installation up to 1 3/4"
- Tool for showerhead to showerarm assembly provided.
- Decorative, cast brass showerarm and tub spout with slip-on feature and integrated pull-up diverter.
- Multi-function showerhead featuring H<sub>2</sub>Okinetic Technology; 2.0 gpm @ 80 PSI (7.6 L/Min @ 552 kPa).

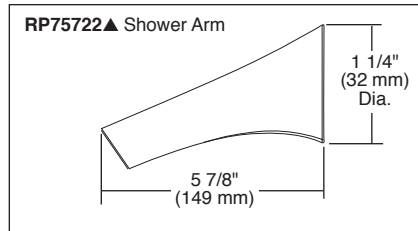
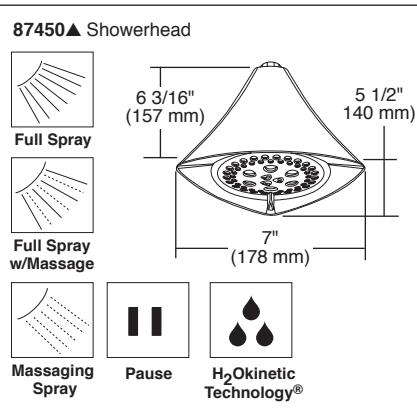
### WARRANTY

- Lifetime limited warranty on parts (other than electronic parts and batteries) and finishes: or, for commercial users, for 5 years from date of purchase.
- 5 year limited warranty on electronic parts (other than batteries); or, for commercial users, for 1 year from the date of purchase. No warranty is provided on batteries.

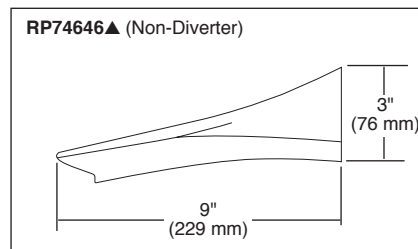
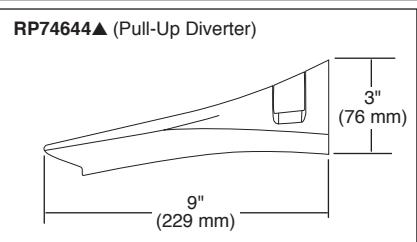
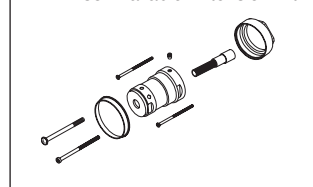


### COMPLIES WITH:

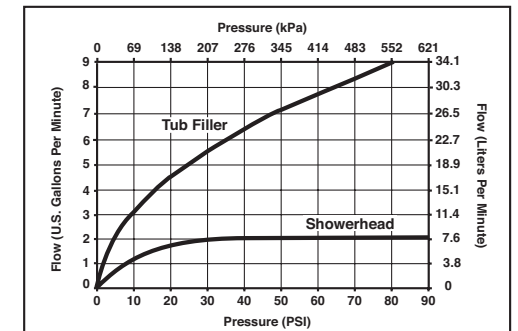
- ASME A112.18.1 / CSA B125.1
- Indicates compliance to ICC/ANSI A117.1 - Applies to valve control only.
- EPA WaterSense®



RP74785 Available Extension Kit



▲ Designate proper finish suffix



### Delta Faucet Company

55 E. 111th Street, Indianapolis, Indiana 46280  
350 South Edgeware Road, St. Thomas, Ontario, Canada N5P 4L1  
© 2014 Masco Corporation of Indiana

Delta reserves the right (1) to make changes in specifications and materials, and (2) to change or discontinue models, both without notice or obligation. Dimensions are for reference only. See current full-line price book or [www.brizo.com](http://www.brizo.com) for finish options and product availability.

BSP-B-T60050 Rev. C