

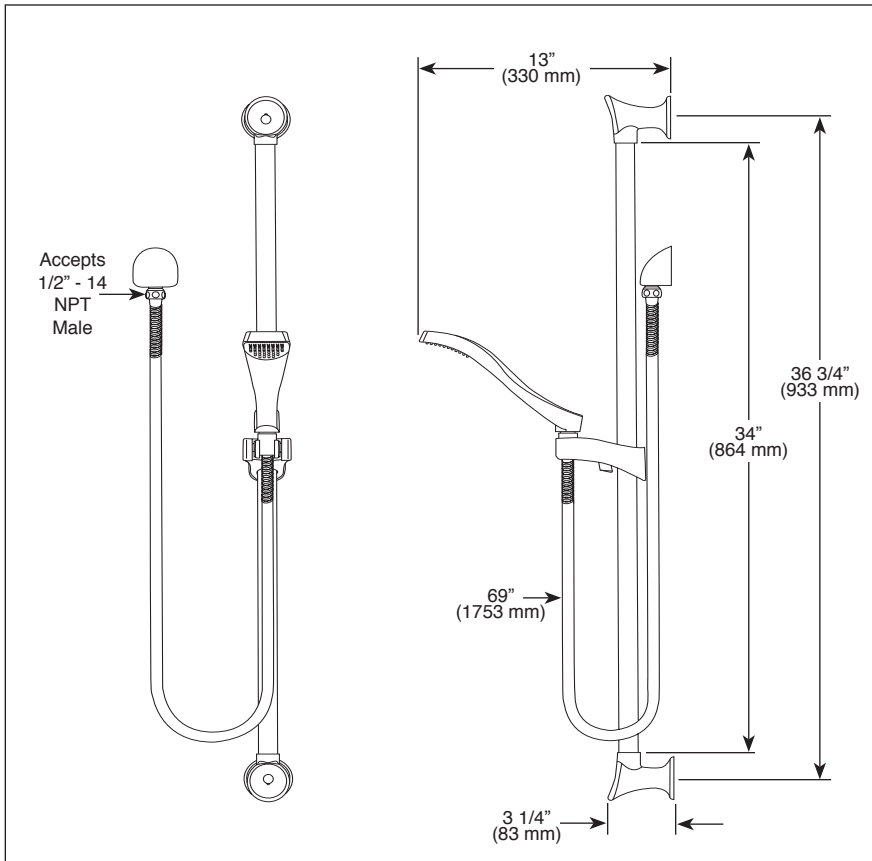
89710▲

BRIZO® PERSONAL HAND HELD SHOWER

- 69" (1753 mm) Metal Hose
- Certified Dual Check Valves
- 34" Wall Bar with Adjustable Height and Angle
- Rub Clean Nubs on Hand Shower
- Wall Mounted Elbow Included

Submitted Model No.: _____

Specific Features: _____



▲ Designate proper finish suffix

Spray Pattern



Full Spray

- ◆ Your Brizo Faucet hand shower incorporates a backflow protection system that has been tested to be in compliance with ASME A112.18.3, CSA B125.1 and ASME A112.18.1. It incorporates two certified check valves in series, which operate independently and are integral, non-serviceable parts of the wand assembly.

Delta reserves the right (1) to make changes in specifications and materials, and (2) to change or discontinue models, both without notice or obligation. Dimensions are for reference only. See current full-line price book or www.brizo.com for finish options and product availability.

BSP-B-89710 Rev. D

STANDARD SPECIFICATIONS:

- ABS hand held shower with one spray pattern
- 69" (1753 mm) flexible metal hose in matching finish.
- Certified dual check valves.
- 34" (610 mm) wall bar with adjustable slide (allows for adjustable shower height). Not to be used as a Grab Bar. Not ADA compliant.
- 2.0 gpm @ 80 psi (7.6 L/min @ 552 kPa)

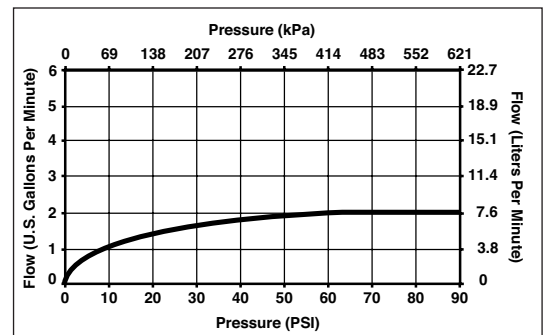
WARRANTY

- Lifetime limited warranty on parts (other than electronic parts and batteries) and finishes: or, for commercial users, for 5 years from date of purchase.
- 5 year limited warranty on electronic parts (other than batteries); or, for commercial users, for 1 year from the date of purchase. No warranty is provided on batteries.



COMPLIES WITH:

- ASME A112.18.1 / CSA B125.1 ◆
- ASME A112.18.3



Delta Faucet Company
Indianapolis, Indiana 46280
A Division of Masco Corporation of Indiana
© 2012 Masco Corporation of Indiana