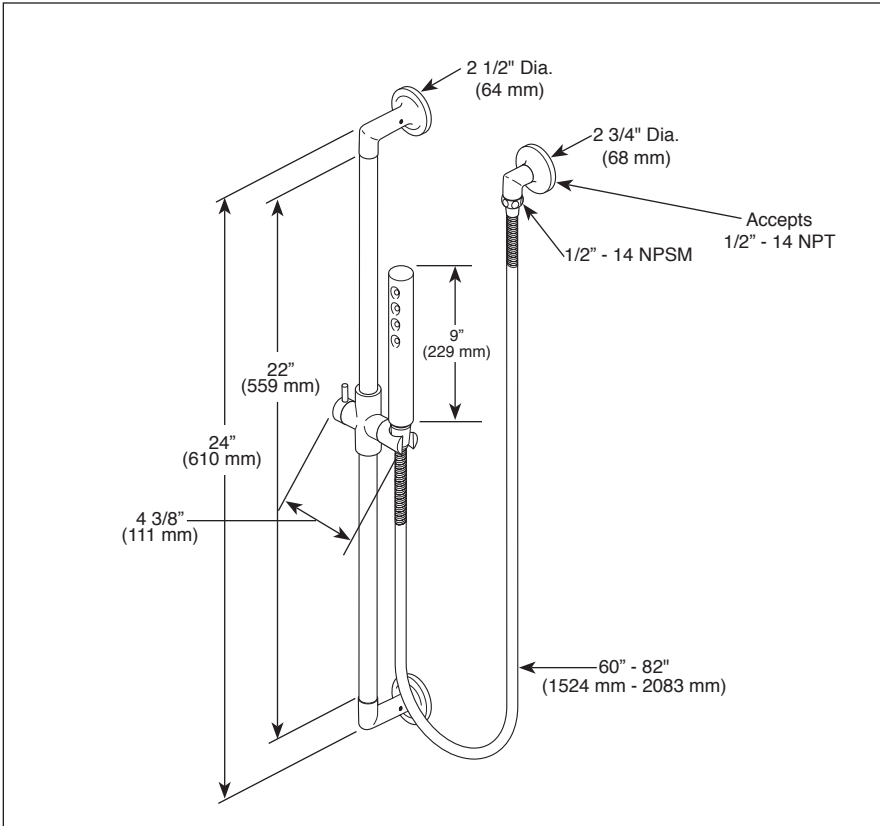


BRIZO® HAND SHOWER W/ SLIDE BAR

- Odin™ Bath Collection
- H₂Okinetic Technology®

Submitted Model No.: _____
 Specific Features: _____



STANDARD SPECIFICATIONS:

- 2.0 gpm @ 80 psi (7.6 L/min @ 552 kPa)
- Hand shower with full spray pattern.
- Certified dual check valves.
- 24" (610 mm) wall bar with adjustable slide (allows for adjustable shower height). Not to be used as a Grab Bar. Not ADA compliant.
- 60" - 82" (1524 mm - 2083 mm) stretchable finished metal hose.

WARRANTY

- Lifetime limited warranty on parts (other than electronic parts and batteries) and finishes: or, for commercial users, for 5 years from date of purchase.
- 5 year limited warranty on electronic parts (other than batteries); or, for commercial users, for 1 year from the date of purchase. No warranty is provided on batteries.



▲ Designate proper finish suffix

Spray Pattern



Full Spray

COMPLIES WITH:

- ASME A112.18.1 / CSA B125.1
- EPA WaterSense®

Delta reserves the right (1) to make changes in specifications and materials, and (2) to change or discontinue models, both without notice or obligation. Dimensions are for reference only. See current full-line price book or www.brizo.com for finish options and product availability.