

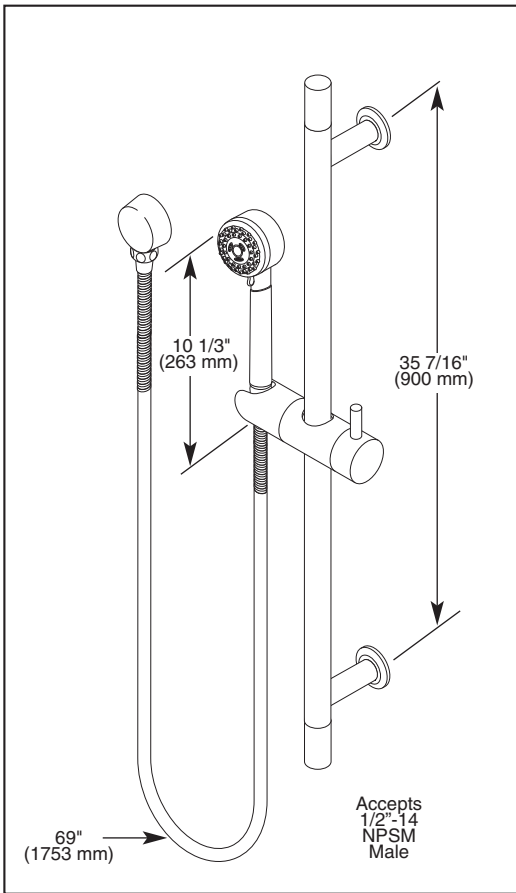
# BRIZO®

## HAND SHOWER WITH SLIDE BAR

- 3 Function Handshower
- Certified Dual Check Valves
- 24" (762 mm) Slide Bar
- 69" (1753 mm) Metal Hose with Matching Finish

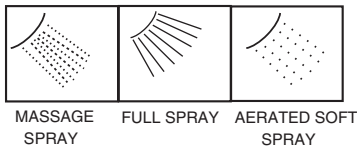
Submitted Model No.: \_\_\_\_\_

Specific Features: \_\_\_\_\_



▲ Designate proper finish suffix

### Spray Patterns



◆ Your Brizo® hand shower incorporates a backflow protection system that has been tested to be in compliance with ASME A112.18.3 and ASME A112.18.1 / CSA B125.1. It incorporates two certified check valves in series, which operate independently and are integral, non-serviceable parts of the wand assembly.

### STANDARD SPECIFICATIONS:

- 3 function handshower: massage, full and aerated soft spray.
- Certified dual check valves.
- 24" (762 mm) wall bar with adjustable slide (allows for adjustable shower height). Not to be used as a Grab Bar. Not ADA compliant.
- 69" (1753 mm) flexible metal hose.
- Wall mount elbow included.
- 2.5 gpm @ 80 psi (9.5 L/min @ 552 kPa)

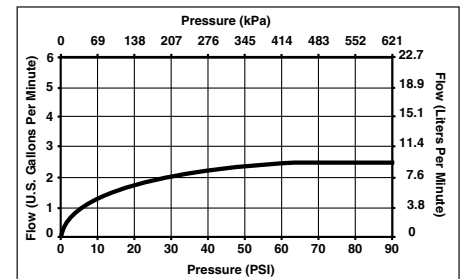
### WARRANTY

- Lifetime Faucet and Finish Limited Warranty to the original consumer purchaser to be free from defects in material and workmanship.
- 5 Year Limited Warranty for usage in all industrial, commercial and business applications.



### COMPLIES WITH:

- ASME A112.18.1 / CSA B125.1



Delta reserves the right (1) to make changes in specifications and materials, and (2) to change or discontinue models, both without notice or obligation. Dimensions are for reference only. See current full-line price book or www.brizo.com for finish options and product availability.

**Delta Faucet Company**  
 Indianapolis, Indiana 46280  
 A Division of Masco Corporation of Indiana  
 © 2009 Masco Corporation of Indiana