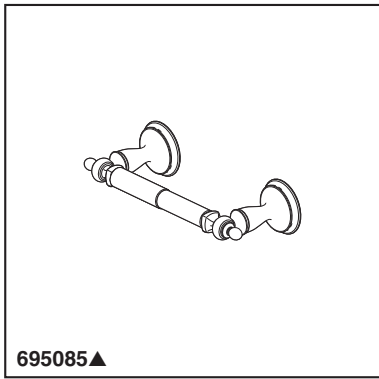


# BRIZO®

## ACCESSORIES

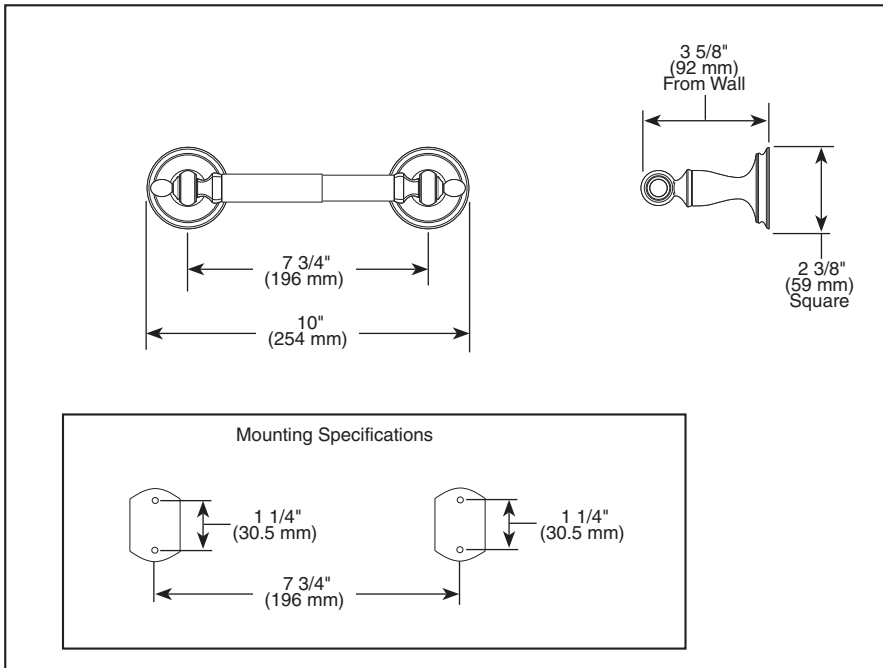
- Charlotte™ Bath Collection
- Tissue Holder



695085▲

Submitted Model No.: \_\_\_\_\_

Specific Features: \_\_\_\_\_



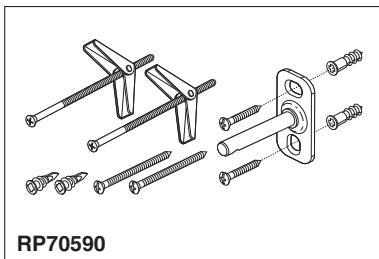
▲ Designate proper finish suffix

### STANDARD SPECIFICATIONS:

- Wood blocking is preferable behind all wall surfaces. If wood blocking is not available, try finding a wood stud to anchor at least one end of this accessory.
- Mounting hardware and mounting instructions included with product.
- Note: Plastic anchors, screws, toggle bolts, and mounting brackets are included with the mounting hardware.

### WARRANTY

- Lifetime Faucet and Finish Limited Warranty to the original consumer purchaser to be free from defects in material and workmanship.
- 5 Year Limited Warranty for usage in all industrial, commercial and business applications.



RP70590

Note: RP includes parts for 2 sides

Delta reserves the right (1) to make changes in specifications and materials, and (2) to change or discontinue models, both without notice or obligation. Dimensions are for reference only. See current full-line price book or [www.brizo.com](http://www.brizo.com) for finish options and product availability.

BSP-A-695085 Rev. A

Delta Faucet Company  
 Indianapolis, Indiana 46280  
 A Division of Masco Corporation of Indiana  
 © 2011 Masco Corporation of Indiana