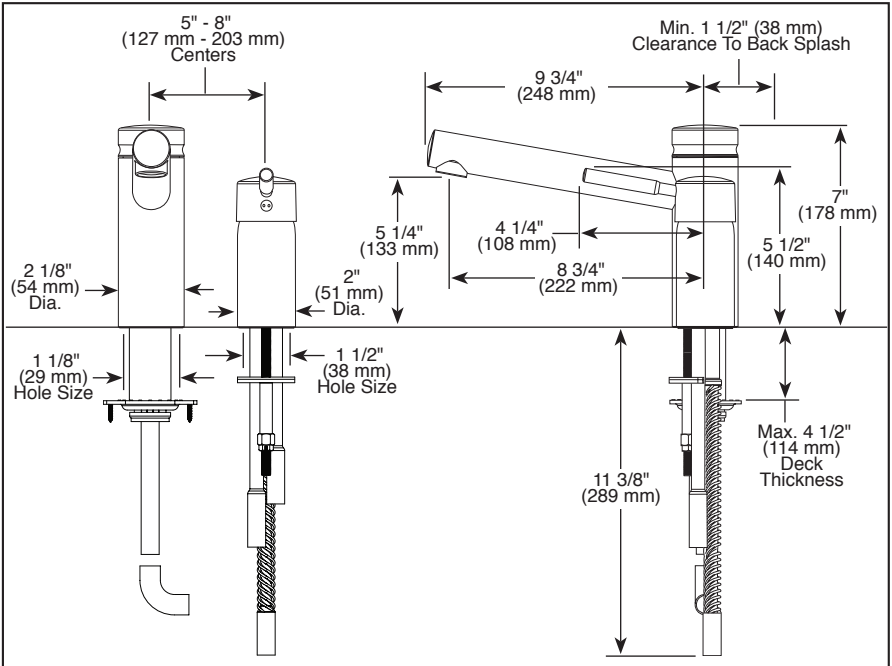
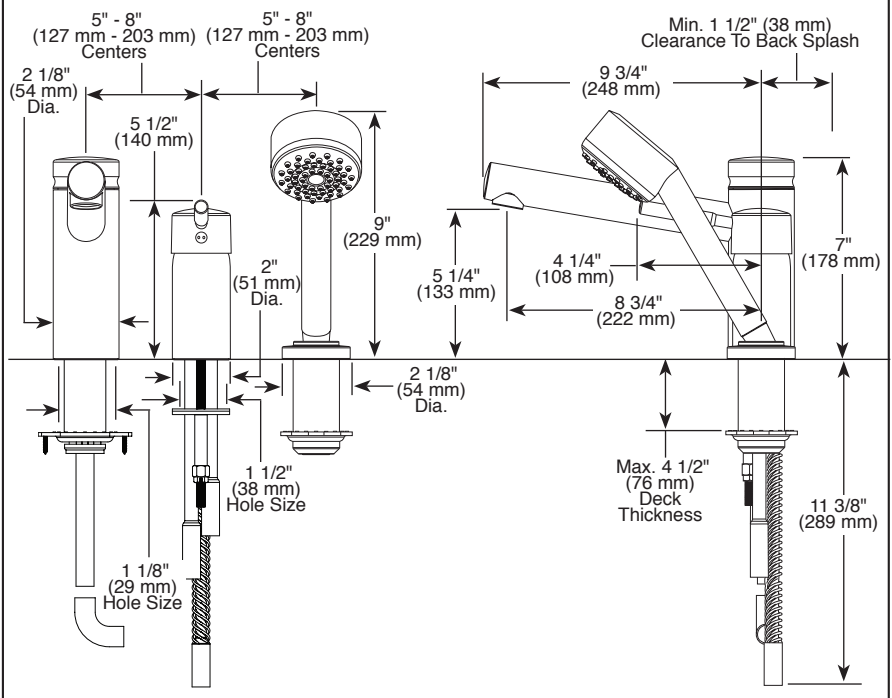


Submitted Model No.: \_\_\_\_\_  
 Specific Features: \_\_\_\_\_



67114▲



67214▲

▲ Designate Proper Finish Suffix

# BRIZO®

## BATH VALVES

- Quiescence® Single Handle Roman Tub Valve
- Two Hole Applications (67114 Series)
- Three Hole Applications (67214 Series)
- Temperature and Volume Controlled with Single Handle
- 5" to 8" Centers
- Hand Held Retractable Shower (67214 Series)
- Flexible Ledge Mount
- Certified Dual Check Valves

### STANDARD SPECIFICATIONS:

- Single handle Roman Tub valve for concealed mounting on two and 3 hole applications.
- Control mechanism shall be of the rotating ceramic cartridge type.
- Temperature and volume controlled with single handle.
- Minimum 4 1/2" distance between holes.
- Spout with integral diverter, vacuum breaker not required (67214).
- Handshower flows 2.0 gpm @ 80 psi (67214).
- Minimum 4 1/2" (114 mm) to maximum 10" (254 mm) distance between holes.
- Conventional installation kit adjusts to 4 1/2" maximum deck thickness.
- Certified dual check valves.

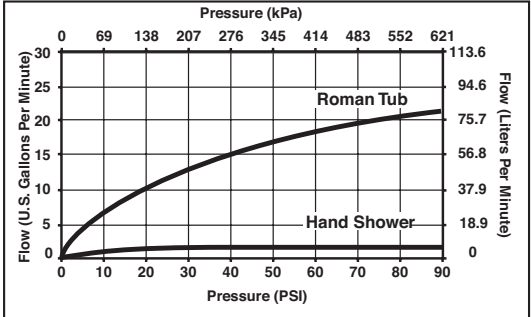
### WARRANTY

- Lifetime limited warranty on parts (other than electronic parts and batteries) and finishes: or, for commercial users, for 5 years from date of purchase.
- 5 year limited warranty on electronic parts (other than batteries); or, for commercial users, for 1 year from the date of purchase. No warranty is provided on batteries.



### COMPLIES WITH:

- ASME A112.18.1 / CSA B125.1



Delta reserves the right (1) to make changes in specifications and materials, and (2) to change or discontinue models, both without notice or obligation. Dimensions are for reference only. See current full-line price book or www.brizo.com for finish options and product availability.  
 BSP-B-67114 Rev. D