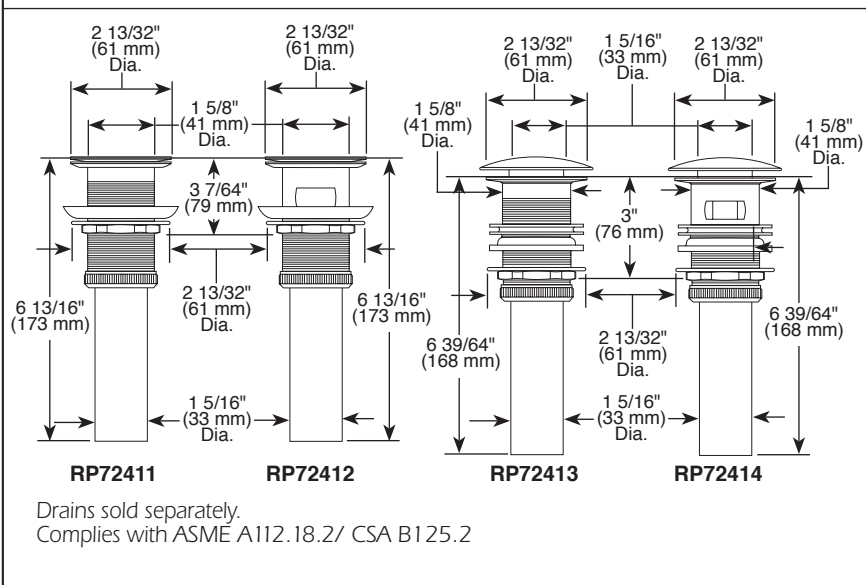
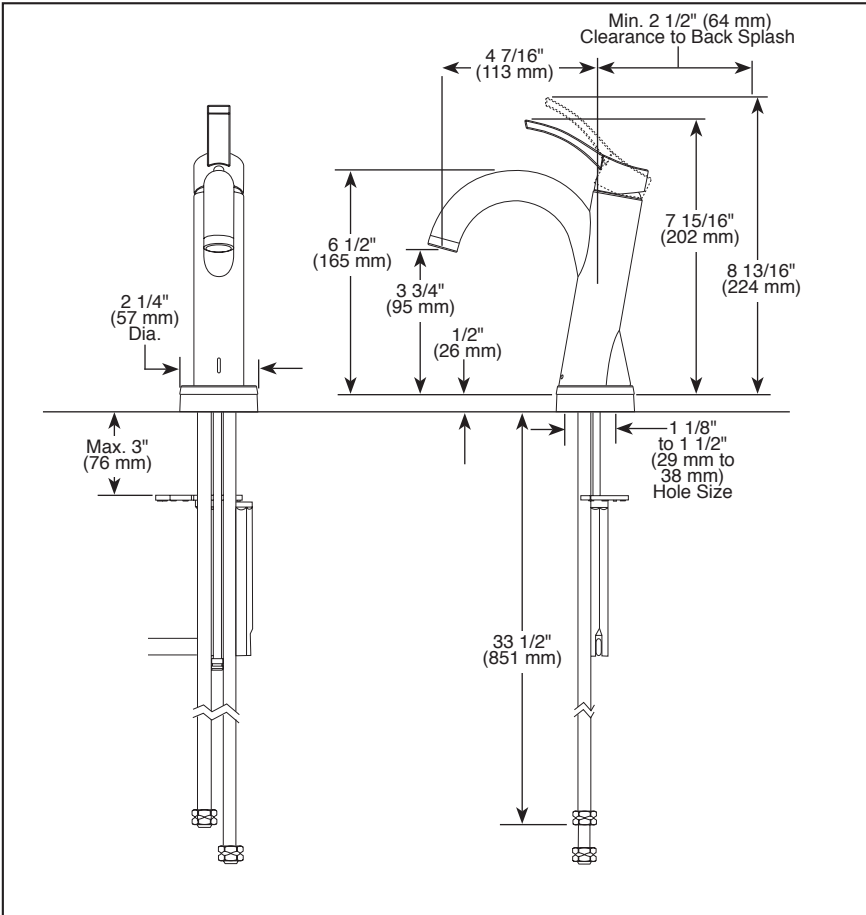


65975LF▲

Submitted Model No.: _____

Specific Features: _____



BRIZO®

LAVATORY FAUCETS

- Odin™ Bath Collection
- Single Hole Sink Applications
- SmartTouchPlus™ Technology

STANDARD SPECIFICATIONS:

- Lavatory faucet for concealed mounting on single hole applications.
- 4 7/16" (113 mm) long, 6 1/2" (165 mm) high rigid spout (7" (178 mm) with optional insulator base).
- Maximum flow rate 1.5 gpm @ 60 PSI.
- Insulator base (included) required when installing on metal sinks.
- Must order Brizo drain separately and use the plastic tailpiece included.
- Integrated supply line hoses, 33 1/2" long, connect to 3/8" O.D. compression stop fittings.

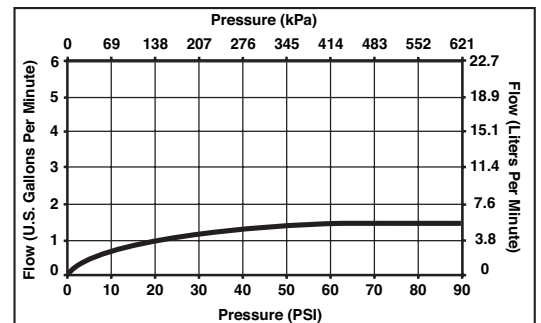
WARRANTY

- Lifetime limited warranty on parts (other than electronic parts and batteries) and finishes: or, for commercial users, for 5 years from date of purchase.
- 5 year limited warranty on electronic parts (other than batteries); or, for commercial users, for 1 year from the date of purchase. No warranty is provided on batteries.



COMPLIES WITH:

- ASME A112.18.1 / CSA B125.1
- Indicates compliance to ICC/ANSI A117.1
- EPA WaterSense®
- Verified compliant with .25% weighted average Pb content regulations.



▲ Designate Proper Finish Suffix

Delta reserves the right (1) to make changes in specifications and materials, and (2) to change or discontinue models, both without notice or obligation. Dimensions are for reference only. See current full-line price book or www.brizo.com for finish options and product availability.

BSP-L-65975LF Rev. C

Delta Faucet Company

55 E. 111th Street, Indianapolis, Indiana 46280
350 South Edgeware Road, St. Thomas, ON N5P 4L1
© 2014 Masco Corporation of Indiana