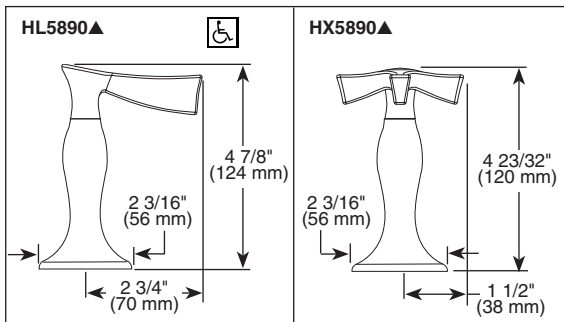
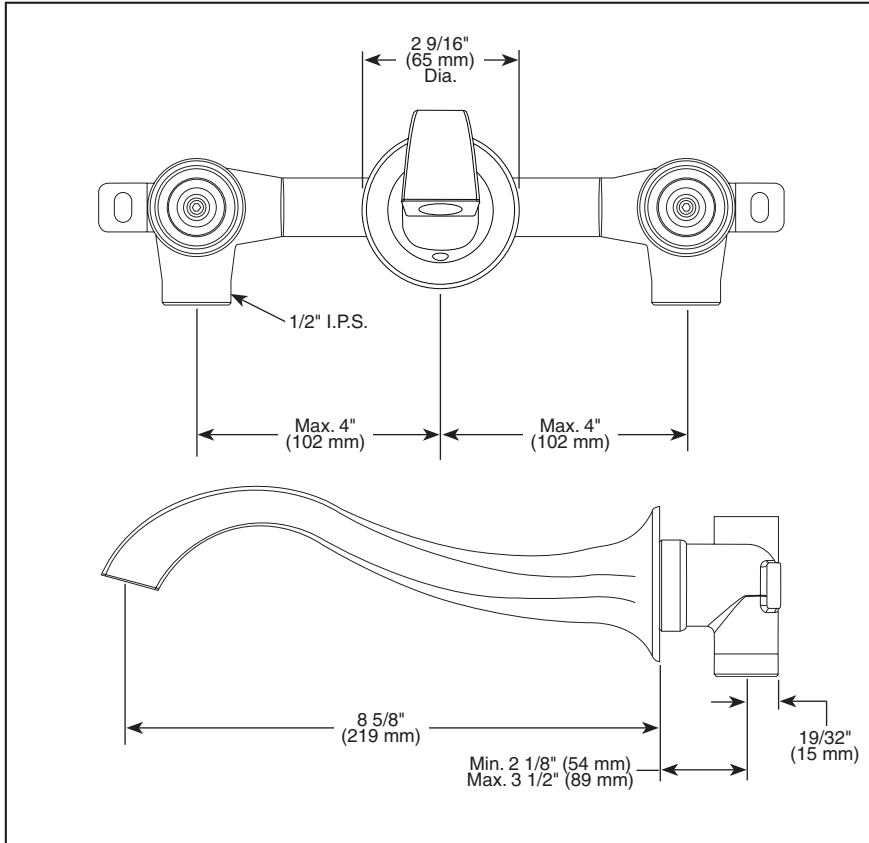


65890LF-▲LHP

Submitted Model No.: \_\_\_\_\_

Specific Features: \_\_\_\_\_



▲ Designate Proper Finish Suffix

# BRIZO®

## LAVATORY FAUCETS

- RSVP™ Bath Collection
- Two Handle Wall Mount
- 3 Hole Applications
- 8" Centers
- Temperature and Volume Controlled With Handles
- 8 5/8" Solid Metal Spout

### STANDARD SPECIFICATIONS:

- Two handle lavatory faucet for concealed mounting on 3 hole applications.
- 8 5/8" solid metal spout.
- LHP - Less Handle Program. See handle options below.
- Control mechanism shall be of the rotating ceramic cylinder type with 90° (1/4 turn) rotation.
- 8" Center, 4" distance between holes.
- 1 1/2" recommended hole size.
- Rough-in dimensions: 2 1/8" to 3 1/2".
- 1/2" I.P.S. inlets.
- See Brizo price list for grid strainer or push-close - push-open drain options.
- Maximum flow rate 1.5 gpm @ 60 PSI.

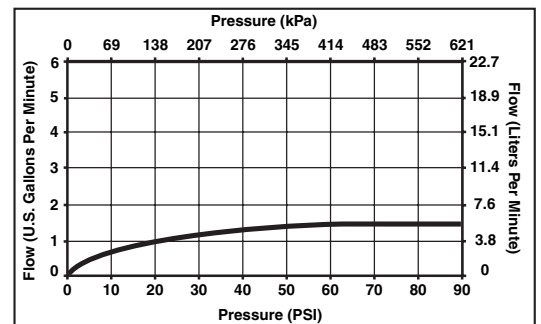
### WARRANTY

- Lifetime Faucet and Finish Limited Warranty to the original consumer purchase to be free from defects in material and workmanship.
- 5 Year Limited Warranty for usage in all industrial, commercial and business applications.



### COMPLIES WITH:

- ASME A112.18.1 / CSA B125.1
- Indicates compliance to ICC/ANSI A117.1
- EPA WaterSense
- Verified compliant with .25% weighted average Pb content regulations.



### Delta Faucet Company

55 E. 111th Street, Indianapolis, Indiana 46280  
 395 Matheson Blvd. E., Mississauga, ON L4Z 2H2  
 © 2010 Masco Corporation of Indiana

Delta reserves the right (1) to make changes in specifications and materials, and (2) to change or discontinue models, both without notice or obligation. Dimensions are for reference only. See current full-line price book or [www.brizo.com](http://www.brizo.com) for finish options and product availability.

BSP-L-65890LF-LHP Rev. A