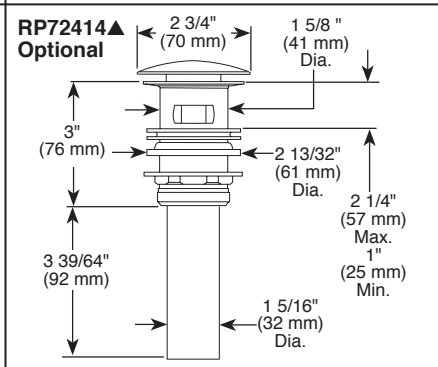
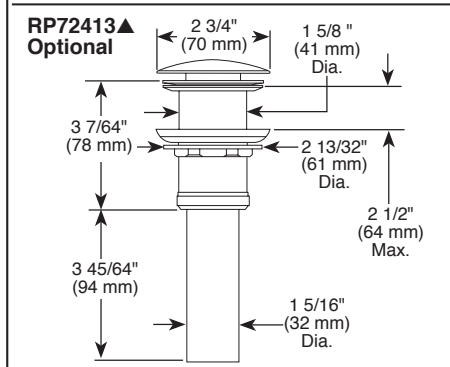
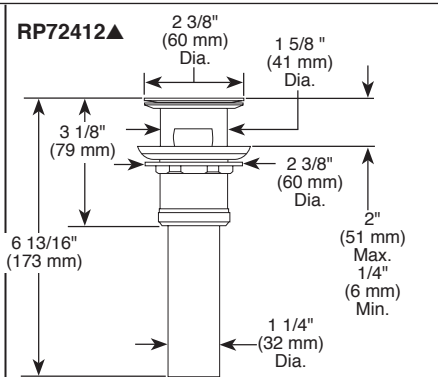
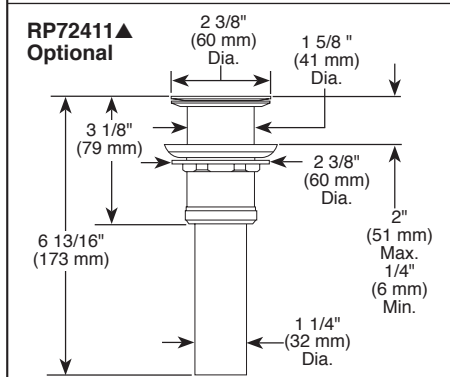
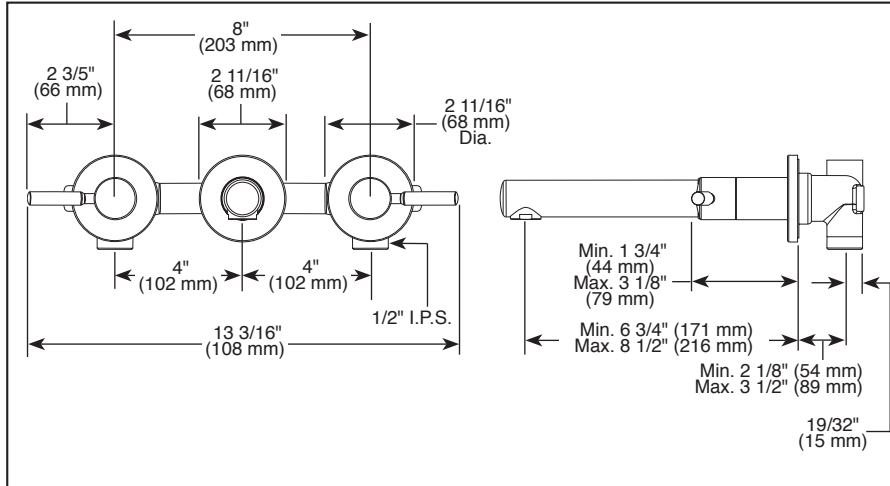


65814LF▲



Submitted Model No.: _____

Specific Features: _____



▲ Designate Proper Finish Suffix

BRIZO®

LAVATORY FAUCETS

- Quiescence® Bath Collection
- Two Handle Wall-Mounted Lavatory Valve
- Three Hole Applications
- Temperature and Volume Controlled with Handles

STANDARD SPECIFICATIONS:

- Two handle lavatory faucet for concealed mounting in 3 hole wall applications.
- Solid metal spout.
- 6 3/4" - 8 1/2" adjustable spout based on rough-in.
- Control mechanism shall be of the rotating ceramic cylinder type with 90° (1/4 turn) rotation.
- 8" centers, 4" distance between holes.
- Recommend 1 1/2" hole size.
- Adjustable roughing in dimensions: 2 1/8" to 3 1/2".
- 1/2" I.P.S. inlets.
- Metal grid strainer with overflow (RP72412) included and without overflow (RP72411) available.
- Optional push button drain assembly with overflow (RP72414) and without overflow (RP72413) available.
- Maximum flow rate 1.5 gpm @ 60 PSI, 5.7L @ 414Pa.

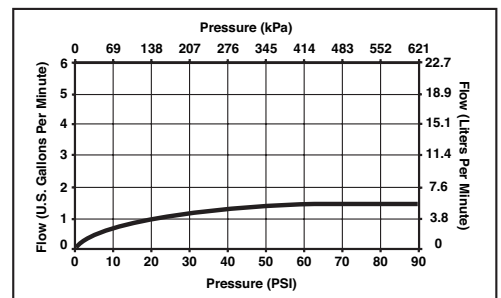
WARRANTY

- Lifetime limited warranty on parts (other than electronic parts and batteries) and finishes: or, for commercial users, for 5 years from date of purchase.
- 5 year limited warranty on electronic parts (other than batteries); or, for commercial users, for 1 year from the date of purchase. No warranty is provided on batteries.



COMPLIES WITH:

- ASME A112.18.1 / CSA B125.1
- ASME A112.18.2 / CSA B125.2
- ☒ Indicates compliance to ICC/ANSI A17.1
- Verified compliant with .25% weighted average Pb content regulations.
- EPA WaterSense®



Delta Faucet Company
 55 E. 111th Street, Indianapolis, Indiana 46280
 350 South Edgeware Road, St. Thomas, ON N5P 4L1
 © 2013 Masco Corporation of Indiana

Delta reserves the right (1) to make changes in specifications and materials, and (2) to change or discontinue models, both without notice or obligation. Dimensions are for reference only. See current full-line price book or www.brizo.com for finish options and product availability.