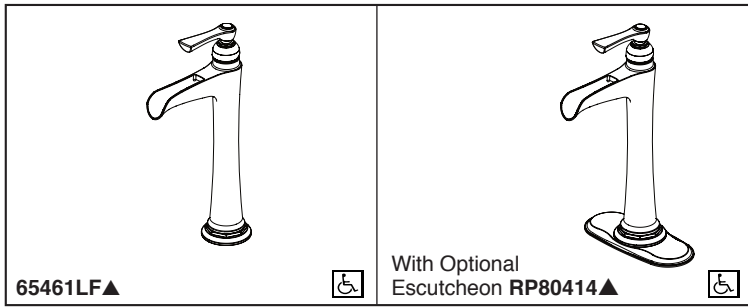


# BRIZO®

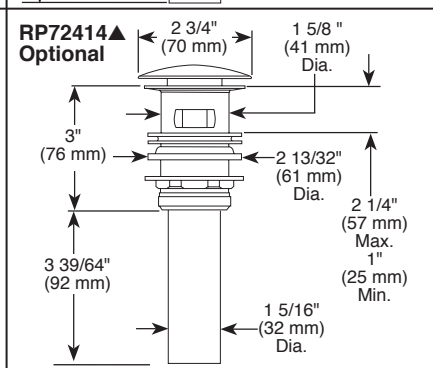
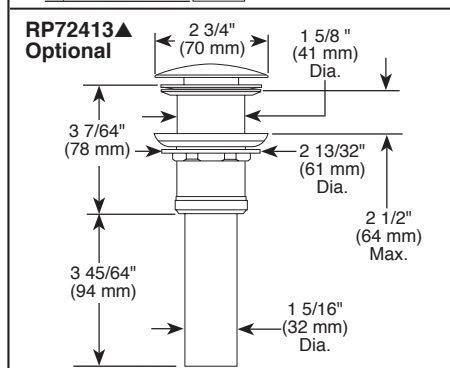
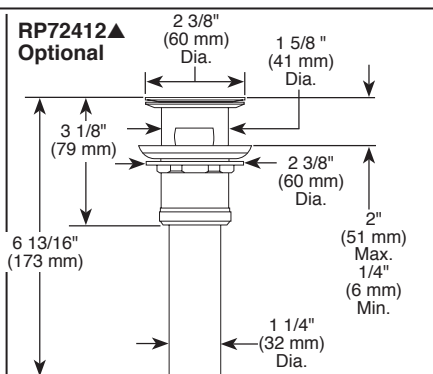
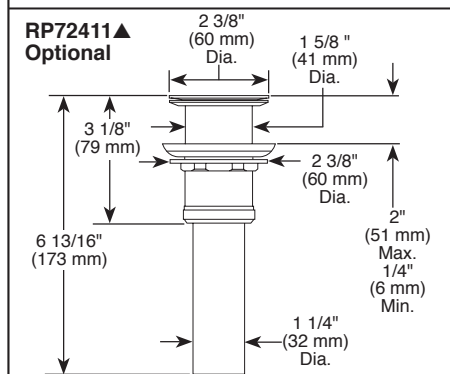
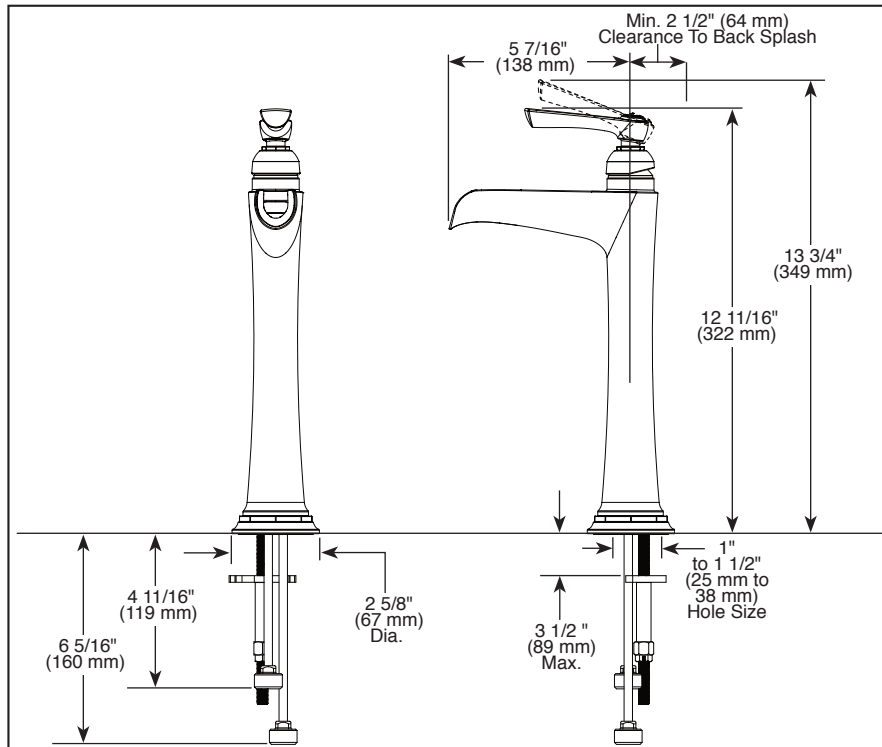
## VESSEL LAVATORY FAUCETS

- Rook™ Bath Collection
- Single Handle Deck Mount



Submitted Model No.: \_\_\_\_\_

Specific Features: \_\_\_\_\_



### STANDARD SPECIFICATIONS:

- Maximum 1.5 gpm @ 60 PSI, 5.7 L/Min @ 414 kPa
- One or three hole mount (escutcheon not included)
- Control mechanism - 28 mm ceramic disc cartridge with metal stem
- 1/2-14 NPSM threaded inlets
- Optional push button drain assembly or grid strainer available separately
- Optional escutcheon (RP80414) available
- Solid brass fabricated body

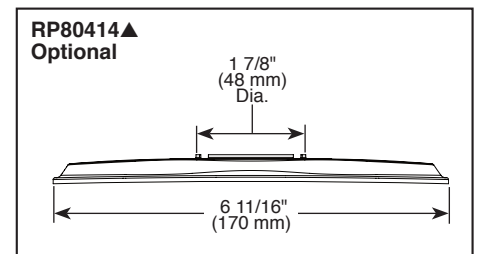
### WARRANTY

- Lifetime limited warranty on parts (other than electronic parts and batteries) and finishes: or, for commercial users, for 5 years from date of purchase.
- 5 year limited warranty on electronic parts (other than batteries); or, for commercial users, for 1 year from the date of purchase. No warranty is provided on batteries.



### COMPLIES WITH:

- ASME A112.18.1 / CSA B125.1
- ASME A112.18.2 / CSA B125.2
- ♿ Indicates compliance to ICC/ANSI A117.1
- EPA WaterSense®
- Verified compliant with .25% weighted average Pb content regulations.



### ▲ Designate Proper Finish Suffix

Brizo reserves the right (1) to make changes in specifications and materials, and (2) to change or discontinue models, both without notice or obligation. Dimensions are for reference only. See current full-line price book or [www.brizo.com](http://www.brizo.com) for finish options and product availability.