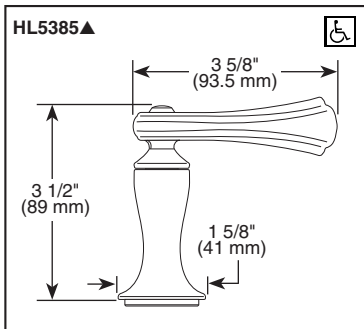
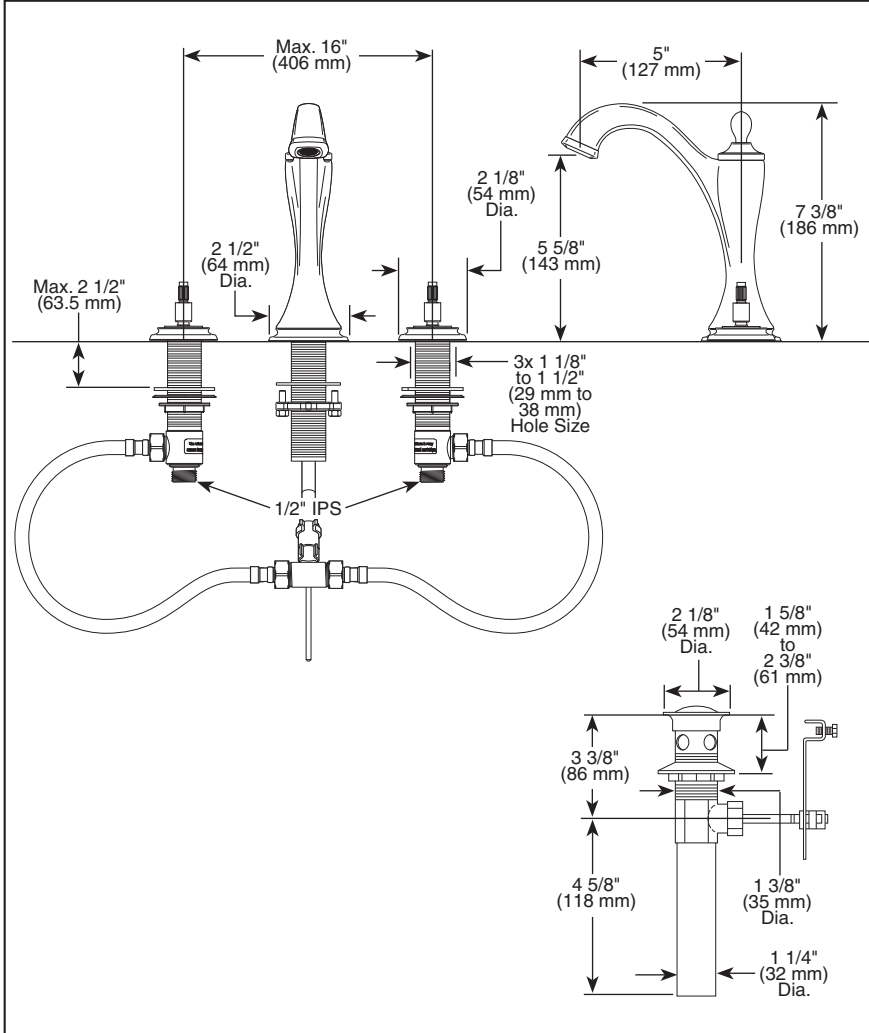




65385LF-▲LHP

Submitted Model No.: _____

Specific Features: _____



▲ Designate proper finish suffix

BRIZO®

WIDESPREAD LAVATORY FAUCETS

- Charlotte™ Bath Collection
- Two Handle Deck Mount
- 3 Hole Sink Applications
- 6"-16" Centers

STANDARD SPECIFICATIONS:

- Two handle lavatory faucet for concealed mounting on 3 hole applications.
- Widespread 6" to 16" centers.
- 5" (127 mm) long, 7 3/8" (186 mm) high rigid spout.
- LHP - Less Handle Program. See handle options below.
- Control mechanism shall be of the rotating ceramic cylinder type with 90° (1/4 turn) rotation.
- Metal drain with pop-up type fitting with plated flange and stopper.
- Maximum flow rate 1.5 gpm @ 60 PSI.

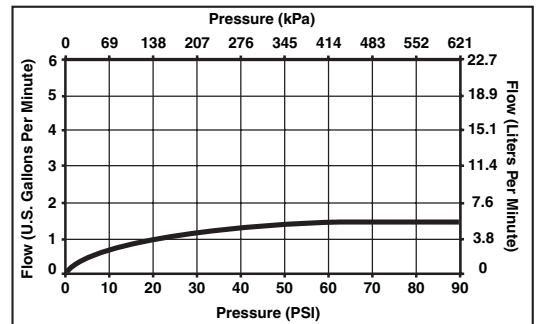
WARRANTY

- Lifetime Faucet and Finish Limited Warranty to the original consumer purchase to be free from defects in material and workmanship.
- 5 Year Limited Warranty for usage in all industrial, commercial and business applications.



COMPLIES WITH:

- ASME A112.18.1 / CSA B125.1
- ASME A112.18.2 / CSA B125.2
- Indicates compliance to ICC/ANSI A117.1
- EPA WaterSense
- Verified compliant with .25% weighted average Pb content regulations.



Delta reserves the right (1) to make changes in specifications and materials, and (2) to change or discontinue models, both without notice or obligation. Dimensions are for reference only. See current full-line price book or www.brizo.com for finish options and product availability.

BSP-L-65385LF-LHP Rev. A

Delta Faucet Company

55 E. 111th Street, Indianapolis, Indiana 46280
 350 South Edgeware Road, St. Thomas, Ontario, Canada N5P 4L1
 © 2011 Masco Corporation of Indiana