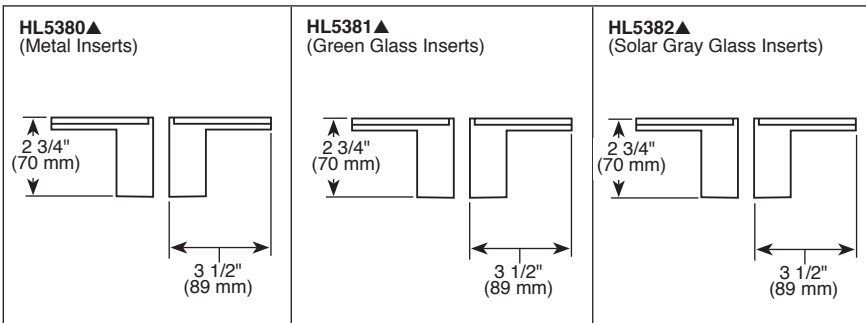
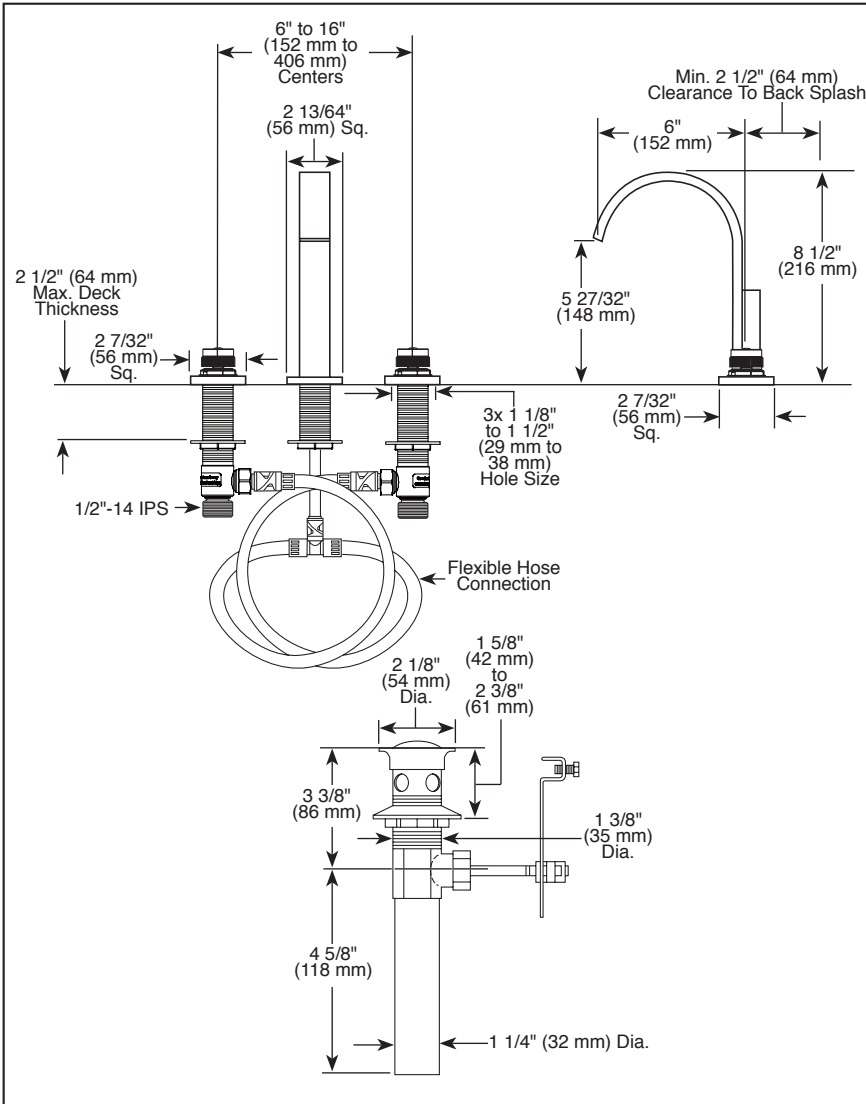


65380LF-▲LHP

Submitted Model No.: _____

Specific Features: _____



▲ Designate Proper Finish Suffix

Delta reserves the right (1) to make changes in specifications and materials, and (2) to change or discontinue models, both without notice or obligation. Dimensions are for reference only. See current full-line price book or www.brizo.com for finish options and product availability.

BSP-L-65380LF-LHP Rev. C

BRIZO® LAVATORY FAUCETS

- Siderna® Bath Collection
- Two Handle Widespread Deck Mount
- 3 Hole Sink Applications
- 6" to 16" Centers
- Quick-Snap® Installation

STANDARD SPECIFICATIONS:

- Solid brass fabricated end valve and spout bodies.
- Widespread - 6" (152mm) to 16" (406 mm) centers.
- 6" (152 mm) long, 8 1/2 (216 mm) high rigid spout.
- Quick-Snap® installation.
- 1/4 turn handle stops.
- Control mechanism is a rotating cylinder ceramic cartridge with 90° rotation.
- Models have metal drain with pop-up type fitting with plated flange and stopper.
- Flexible hose connections.
- Accomodates up to 2 1/2" deck thickness.
- Maximum flow rate 1.5 gpm @ 60 PSI.
- Ceramic disc valving.
- Handles attach to end valves by use of magnets inside handle. No set screw required.
- Handles sold separately.

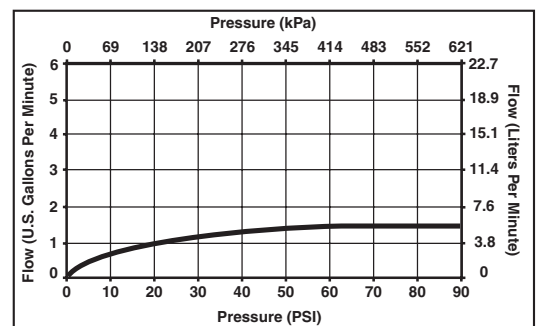
WARRANTY

- Lifetime limited warranty on parts (other than electronic parts and batteries) and finishes: or, for commercial users, for 5 years from date of purchase.
- 5 year limited warranty on electronic parts (other than batteries); or, for commercial users, for 1 year from the date of purchase. No warranty is provided on batteries.



COMPLIES WITH:

- ASME A112.18.1 / CSA B125.1
- ASME A112.18.2 / CSA B125.2
- EPA WaterSense®
- Verified compliant with .25% weighted average Pb content regulations.



Delta Faucet Company

55 E. 111th Street, Indianapolis, Indiana 46280
350 South Edgeware Road, St. Thomas, ON N5P 4L1
© 2013 Masco Corporation of Indiana