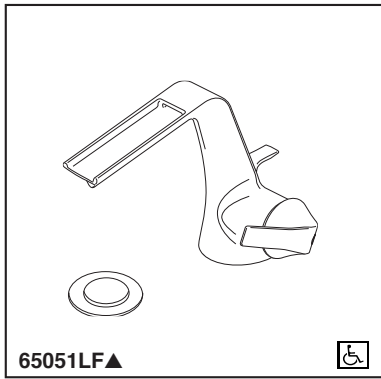


BRIZO®

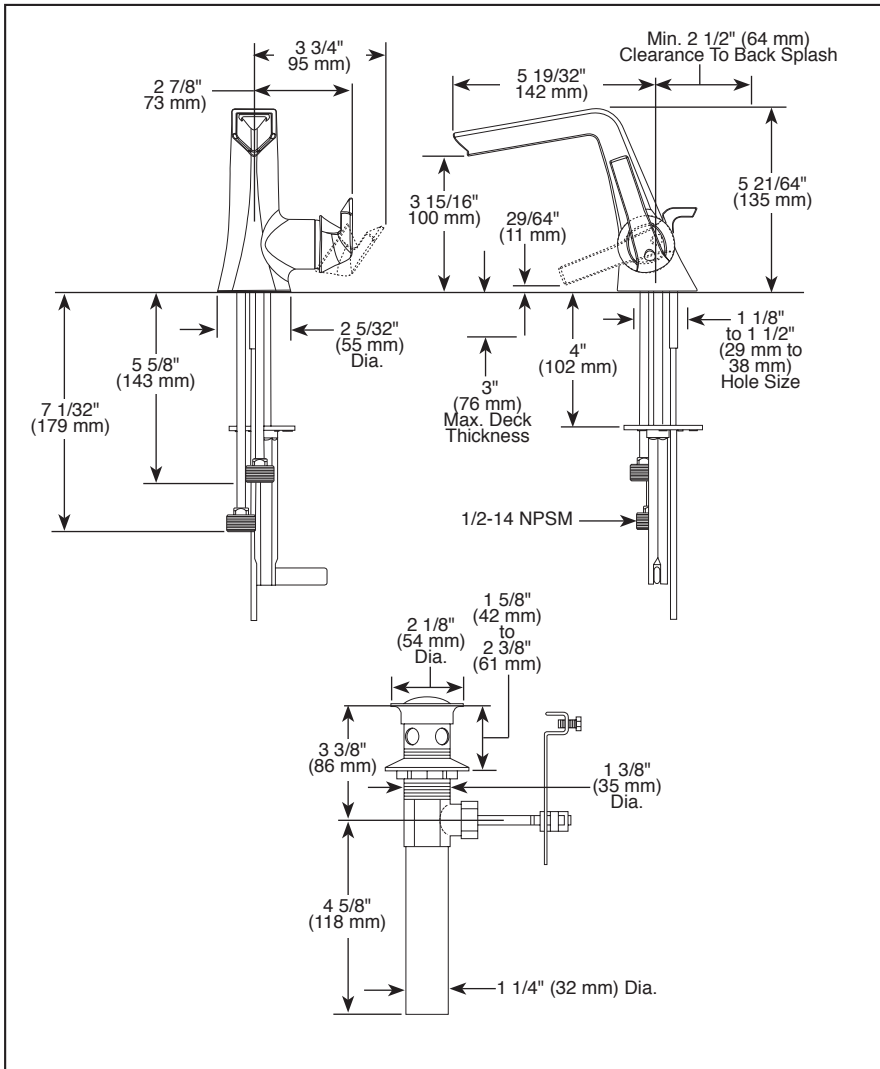
LAVATORY FAUCETS

- Sotria™ Bath Collection
- Single Handle Deck Mount
- Single Hole Mount



65051LF▲

Submitted Model No.: _____
 Specific Features: _____



▲ Designate Proper Finish Suffix

STANDARD SPECIFICATIONS:

- Single handle lavatory deck faucet - channel spout.
- Solid brass fabricated body.
- 5 19/32" (142 mm) long spout.
- 1 1/8" minimum - 1 1/2" maximum hole size.
- 1/2-14 NPSM threaded inlets.
- Accomodates up to 3" deck thickness.
- Maximum flow rate 1.5 gpm @ 60 PSI, 5.7 L/Min @ 414 kPa.
- Control mechanism - 28 mm ceramic disc cartridge with metal stem.
- Metal pop-up drain included.

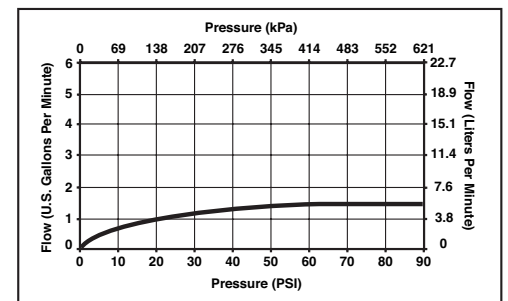
WARRANTY

- Lifetime limited warranty on parts (other than electronic parts and batteries) and finishes: or, for commercial users, for 5 years from date of purchase.
- 5 year limited warranty on electronic parts (other than batteries); or, for commercial users, for 1 year from the date of purchase. No warranty is provided on batteries.



COMPLIES WITH:

- ASME A112.18.1 / CSA B125.1
- Indicates compliance to ICC/ANSI A117.1
- EPA WaterSense®
- Verified compliant with .25% weighted average Pb content regulations.



Delta reserves the right (1) to make changes in specifications and materials, and (2) to change or discontinue models, both without notice or obligation. Dimensions are for reference only. See current full-line price book or www.brizo.com for finish options and product availability.

BSP-L-65051LF Rev. A

Delta Faucet Company
 55 E. 111th Street, Indianapolis, Indiana 46280
 350 South Edgeware Road, St. Thomas, ON N5P 4L1
 © 2013 Masco Corporation of Indiana