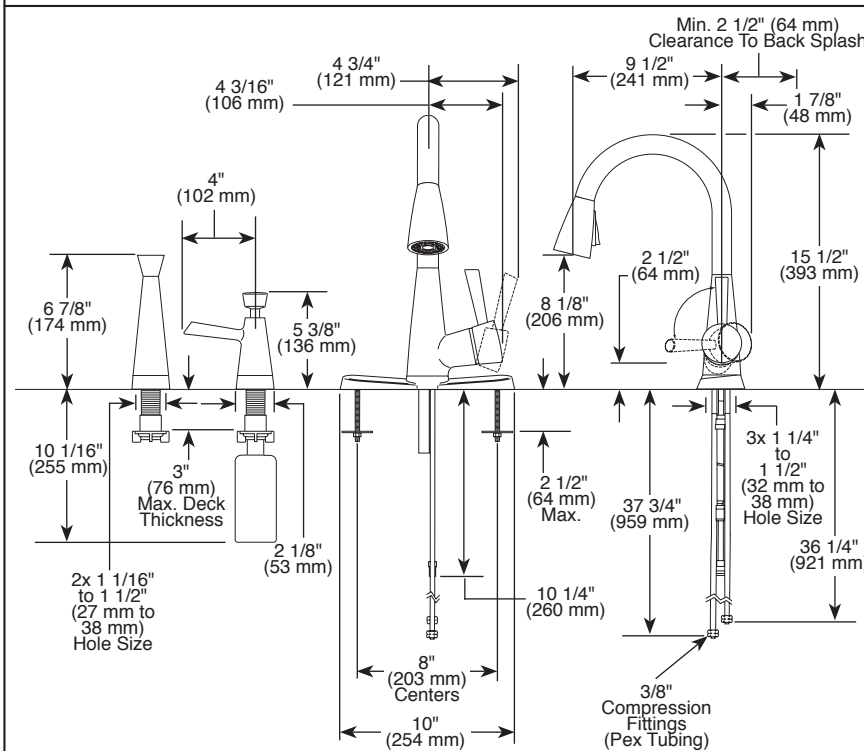
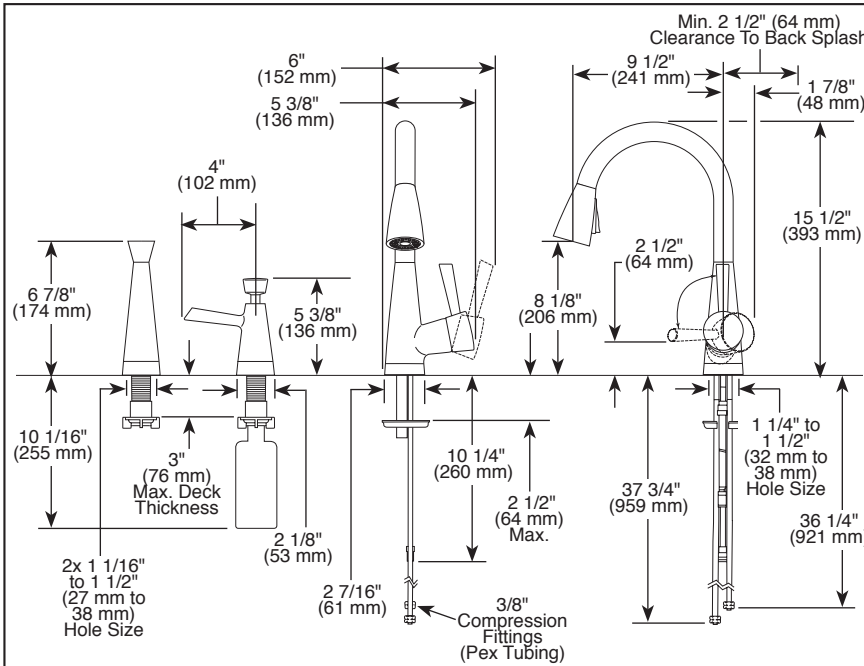


Submitted Model No.: _____

Specific Features: _____



▲ Designate proper finish suffix

Brizo Kitchen & Bath Company reserves the right (1) to make changes in specifications and materials, and (2) to change or discontinue models, both without notice or obligation. Dimensions are for reference only. See current full-line price book or www.brizo.com for finish options and product availability.

BSP-K-63070LF Rev. E

BRIZO®

KITCHEN FAUCETS

- Venuto® Collection
- Single Handle Deck Mount
- 2-Function Pull-Down
- Single, 2 or 3 Hole Sink Applications
- Centermount or 8" (203 mm) Centers with Optional 10" (254 mm) Escutcheon
- Optional Vase Interchangeable with Soap Dispenser
- Euro-Motion Diamond Valve-Diamond Embedded Ceramic Disc
- One Piece InnoFlex® Waterways

STANDARD SPECIFICATIONS:

- Single handle, 2-function pull-down kitchen faucets for exposed mounting on single, two and three hole sinks.
- 15 1/2" (393 mm) high, 9 1/2" (241 mm) long, spout swings 360°.
- Touch-Clean® sprayhead.
- Pull-down wand operates in an aerated or spray mode via an ergonomic toggle diverter.
- Features MagneDock® magnetic wand docking system.
- Red/blue indicator on handle for hot/cold temperature.
- Tangle-free bag for hose.
- Thin deck mounting aid to help secure product if used on thin sinks.
- Dual integral check valves in sprayer assembly.
- Integrated removable debris screen in sprayer assembly.
- Disposable hose lead to aid installation.
- Spacer for mounting nut to reduce number of turns required for installation.
- Mounting wrench to assist in tightening mounting nut securely.
- Hose travels inside mounting shank so it will not interfere with deck edges.
- Matching trim ring and 10" (254 mm) escutcheon.
- Maximum 1.80 gpm @ 60 psi, 6.8 L/min @ 414 kPa

Note: See 63970LF for matching bar/prep.

WARRANTY

- Lifetime limited warranty on parts (other than electronic parts and batteries) and finishes: or, for commercial users, for 5 years from date of purchase.
- 5 year limited warranty on electronic parts (other than batteries); or, for commercial users, for 1 year from the date of purchase. No warranty is provided on batteries.



COMPLIES WITH:

- ASME A112.18.1 / CSA B125.1
- ASME A112.18.6
- Indicates compliance to ICC/ANSI A117.1
- Verified compliant with .25% weighted average Pb content regulations.

Brizo Kitchen & Bath Company
 Indianapolis, Indiana 46280
 A Division of Masco Corporation of Indiana
 © 2015 Brizo Kitchen & Bath Company