

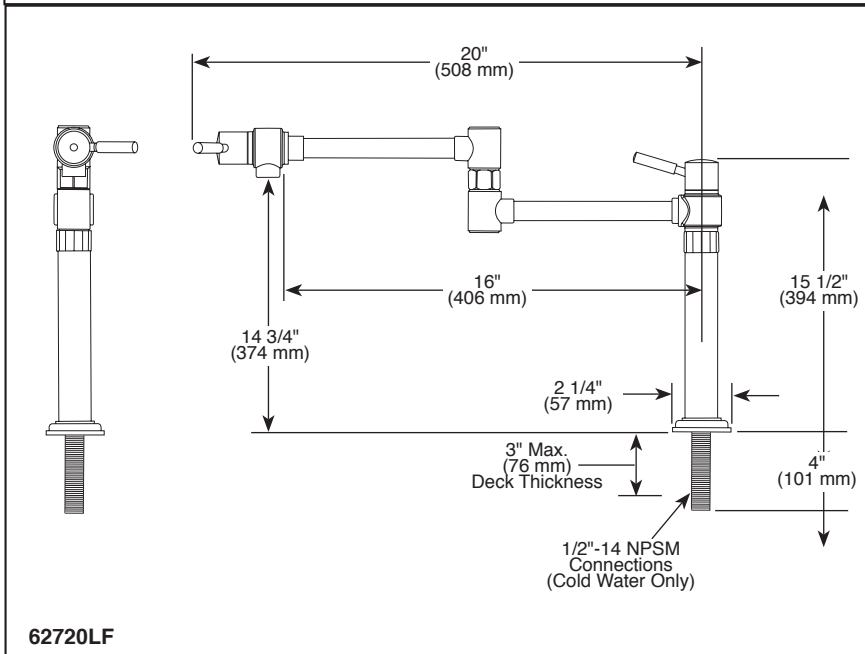
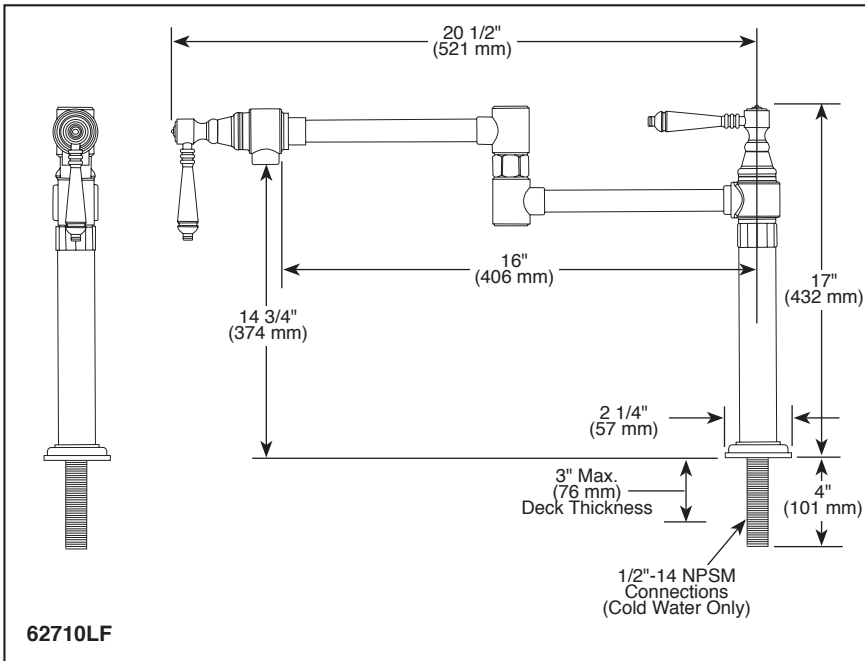
BRIZO®

DECK MOUNT POT FILLER

- Two Handle Deck Mount
- Single Hole Applications

Submitted Model No.: _____

Specific Features: _____



STANDARD SPECIFICATIONS:

- Solid brass fabricated body.
- 1" recommended hole size.
- 1/2" I.P.S. inlet connections.
- Cold water connection only.
- 16" dual jointed swivel spout.
- Single hole installation with 3" (76 mm) maximum deck thickness.

WARRANTY

- Lifetime limited warranty on parts (other than electronic parts and batteries) and finishes: or, for commercial users, for 5 years from date of purchase.
- 5 year limited warranty on electronic parts (other than batteries); or, for commercial users, for 1 year from the date of purchase. No warranty is provided on batteries.



COMPLIES WITH:

- ASME A112.18.1 / CSA B125.1
- Indicates compliance to ICC/ANSI A117.1
- Verified compliant with .25% weighted average Pb content regulations.

▲ Designate proper finish suffix

Brizo Kitchen & Bath Company reserves the right (1) to make changes in specifications and materials, and (2) to change or discontinue models, both without notice or obligation. Dimensions are for reference only. See current full-line price book or www.brizo.com for finish options and product availability.

BSP-K-62710LF Rev. C

Brizo Kitchen & Bath Company
Indianapolis, Indiana 46280
A Division of Masco Corporation of Indiana
© 2015 Brizo Kitchen & Bath Company