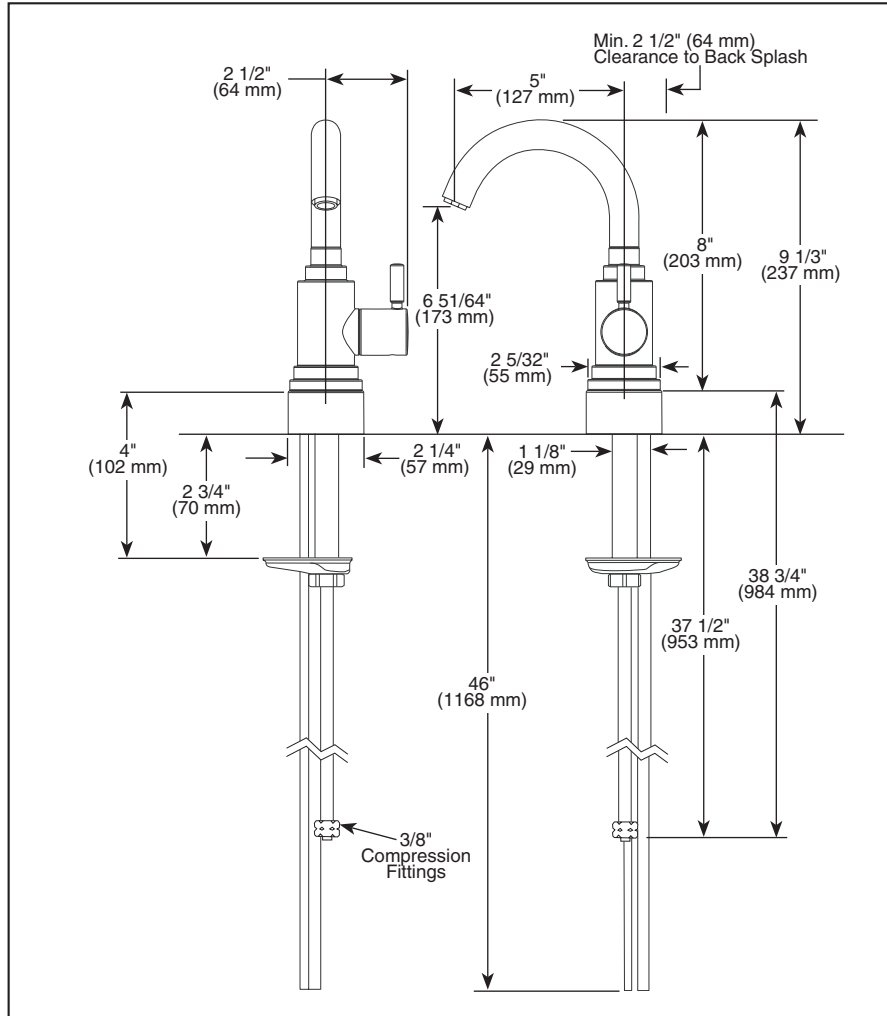


61320LF▲

Submitted Model No.: _____

Specific Features: _____



▲ Designate proper finish suffix

BRIZO®

COLD WATER TAPS

- Beverage Faucet Collection
- Single Handle Deck Mount
- 1 Hole Sink Applications
- Diamond Seal® Technology
- Integrated Supply Tubes
- Air Gap Included
- Compatible with RO (Reverse Osmosis) Systems
- Traditional or Euro Styles Available

STANDARD SPECIFICATIONS:

- 9 1/3" (237 mm) high, 5" (127 mm) long, spout swings 360°.
- Single lever handle design.
- Diamond™ seal technology.
- Works with RO systems, filtered water systems, or as a cold water tap.
- Laminar water stream with 1.5 GPM flow @ 60 PSI (5.7L/min).
- 4" (102 mm) maximum deck thickness (2 3/4" (70 mm) with air gap).
- Mounting wrench to assist in tightening mounting nut securely.
- Integrated supply tube with 3/8" compression fitting.
- Air gap included with 1/4" tube for RO system and 3/8" tube for drain.

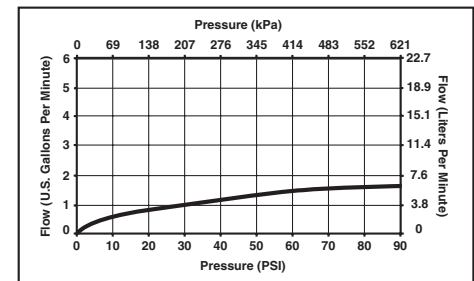
WARRANTY

- Lifetime Faucet and Finish Limited Warranty to the original consumer purchaser to be free from defects in material and workmanship.
- 5 Year Limited Warranty for usage in all industrial, commercial and business applications.



COMPLIES WITH:

- ASME A112.18.1 / CSA B125.1
- ASME A112.18.6
- Indicates compliance to ICC/ANSI A117.1
- Verified compliant with .25% weighted average Pb content regulations.



Delta reserves the right (1) to make changes in specifications and materials, and (2) to change or discontinue models, both without notice or obligation. Dimensions are for reference only. See current full-line price book or www.brizo.com for finish options and product availability.

BSP-K-61320LF Rev. A

Delta Faucet Company

Indianapolis, Indiana 46280

A Division of Masco Corporation of Indiana

© 2011 Masco Corporation of Indiana