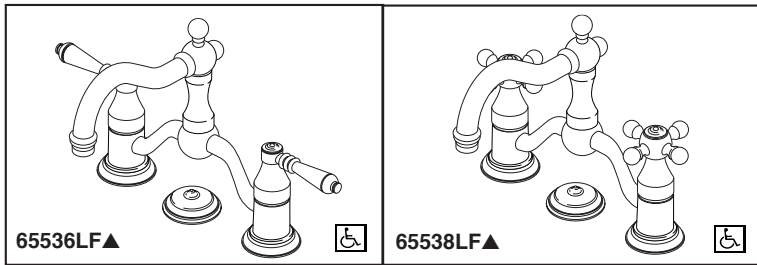


BRIZO®

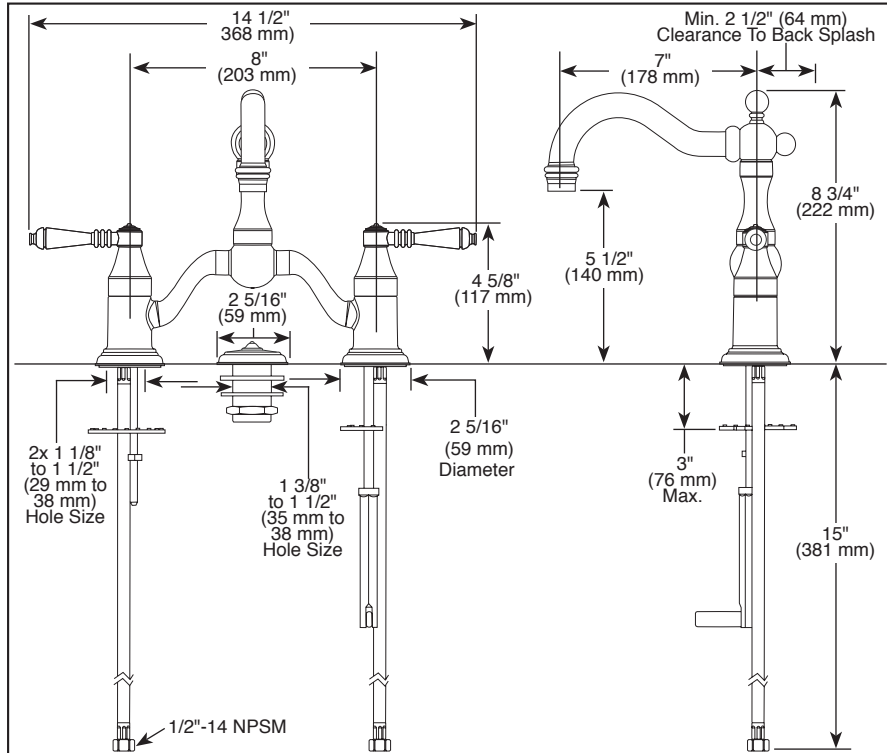
LAVATORY FAUCETS

- Tresa® Bath Collection
- Two Handle Widespread Bridge
- Two Hole Mount
- Optional Third Hole Cover



Submitted Model No.:

Specific Features:



STANDARD SPECIFICATIONS:

- Solid brass with one-piece cast brass waterway.
- 7" (178 mm) long, 8 3/4" (222 mm) high rigid spout.
- 1/4 turn handle stops.
- Hot and cold stems are interchangeable.
- Control mechanism shall be of the rotating cylinder type with 90° rotation, with replaceable non-metallic seats, operating in stainless steel lined sockets.
- 1 1/8" minimum - 1 1/2" maximum hole size.
- Models have 1/2"-14 NPSM supply hoses.
- Must order drain separately.
- Optional push button drain assembly (RP72414 or RP72413). Optional grid strainer drain available with overflow (RP72412) or without (RP72411).
- Maximum flow rate 1.5 gpm @ 60 PSI.
- Ceramic disc valving.

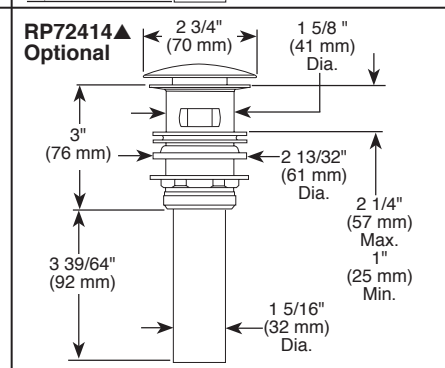
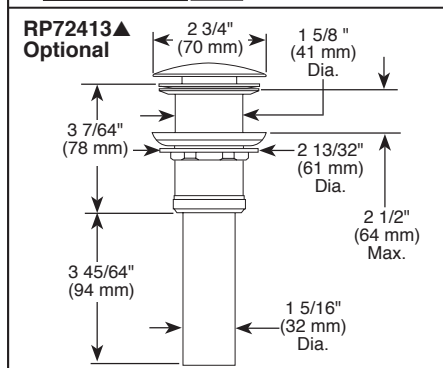
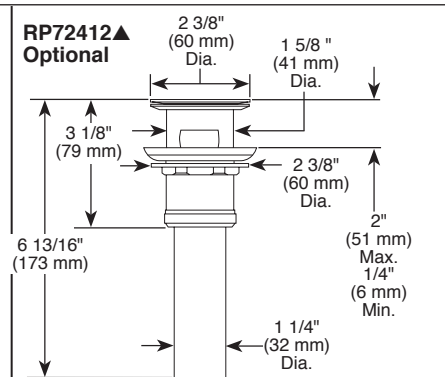
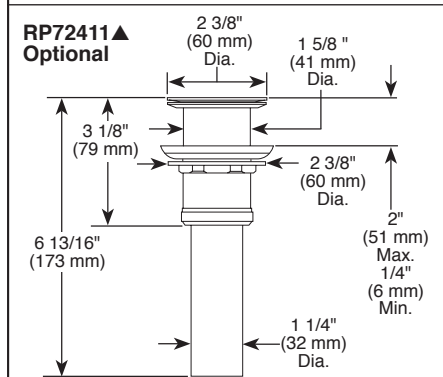
WARRANTY

- Lifetime limited warranty on parts (other than electronic parts and batteries) and finishes: or, for commercial users, for 5 years from date of purchase.
- 5 year limited warranty on electronic parts (other than batteries); or, for commercial users, for 1 year from the date of purchase. No warranty is provided on batteries.

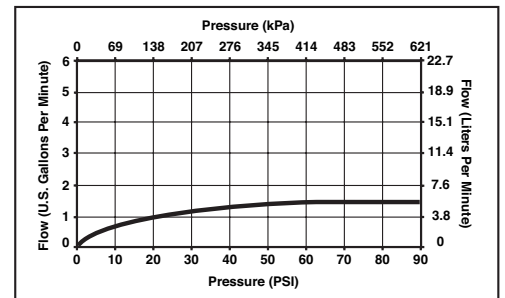


COMPLIES WITH:

- ASME A112.18.1 / CSA B125.1
- ASME A112.18.2 / CSA B125.2
- Indicates compliance to ICC/ANSI A117.1
- EPA WaterSense®
- Verified compliant with .25 % weighted average Pb content regulations.



▲ Designate Proper Finish Suffix



Delta reserves the right (1) to make changes in specifications and materials, and (2) to change or discontinue models, both without notice or obligation. Dimensions are for reference only. See current full-line price book or www.brizo.com for finish options and product availability.
BSP-L-65536LF Rev. B

Delta Faucet Company

55 E. 111th Street, Indianapolis, Indiana 46280
350 South Edgeware Road, St. Thomas, ON N5P 4L1
© 2013 Masco Corporation of Indiana