

For Residential and Commercial Applications

Job Name		Engineer / Architect	
Job Location		Wholesaler	
Submittal Date		Contractor	

~~OCR1912AX / OCR1915AX / OCR1920AX~~ **Copper Faucet Supply Kit - Multi-Turn Compression Angle Stop**

Use: For use in potable water distribution systems in accessible locations only. Not intended for recirculating water systems that produce continuous use temperatures above 115° F. For those applications, use our KT™ series ball stop supply kits.

Design Features:

- **Everything you need.** These kits combine our trusted BrassCraft® supply stop, copper riser, and escutcheon for an easy-to-install connection
- **No Lead**

Copper Riser Provides:

- **One-piece** construction
- **Cut-to-length** for a clean, professional installation

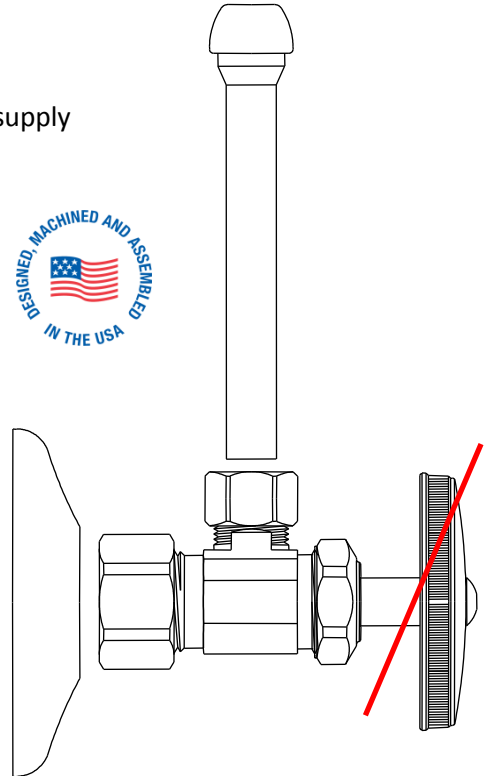
Multi-Turn Stop Provides:

- **Machined one-piece brass body** provides strength, durability, and long-lasting performance
- ~~Oval knurled handle~~ provides a secure grip and smooth on/off operation
- **Easy-to-remove handle** helps protect against accidental stop operation during rough-ins

Operating Specifications:

Temperature: 40° - 140° F
Pressure: 125 PSI maximum

Tube Diameter: 3/8" OD



RISER MATERIAL SPECIFICATIONS	
Tube	Copper or copper, chrome plated
Insert	POM

STOP MATERIAL SPECIFICATIONS	
Body	Brass or brass, plated
Stem	POM; brass; or brass, plated
Handle	Zinc, die cast plated; ABS, plated; or Polycarbonate
Handle Screw	Steel, plated
Bib & Packing Washer	Rubber
Packing Nut	Brass or brass, plated
Loose Key	Zinc, die cast
Loose Key Stem	Brass, plated
Lock Shield	Brass or brass, chrome plated

This specification and all information contained herein is the confidential and exclusive property of BrassCraft Manufacturing, and shall not be disclosed to others without the written consent of BrassCraft Mfg. This specification must be returned to BrassCraft Mfg. if requested.



For Residential and Commercial Applications

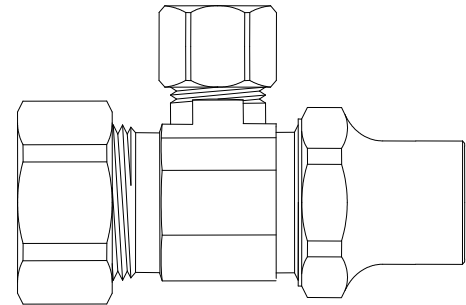
Job Name		Engineer / Architect	
Job Location		Wholesaler	
Submittal Date		Contractor	

~~SCR1B/ SCR09/ SCR19/ SCR39/ SCR49~~ Multi-Turn Angle Stop w/ Loose Key – Compression x Compression

Use: For use in potable water distribution systems. Not intended for recirculating water systems that produce continuous use temperatures above 115° F. For those applications, use our KT™ series ball stops.

Design Features:

- **Machined one-piece brass body** provides strength, durability, and long-lasting performance
- **Large loose key handle** provides a secure grip for trouble-free on/off operation
- **Removable loose key handle** helps protect against accidental stop operation during rough-ins
- **No Lead**
- **For use with** ASTM F876 PEX tubing, in ASTM F877 water distribution systems (parts containing PX and PXX only)
- **For use in** ASTM F877 water distribution systems as noted in Appendixes (parts containing PX and PXX only)



Operating Specifications:

Temperature: 40°- 140° F
Pressure: 125 PSI maximum

Standard

STOP MATERIAL SPECIFICATIONS	
Body	Brass, chrome plated
Lock Shield Stem	Brass, chrome plated
Bib & Packing Washer	Rubber
Lock Shield	Brass, chrome plated
Loose Key	Zinc die cast
Compression Nut	Brass, chrome plated
Compression Sleeve	Brass
PEX Insert*	Stainless steel

*Where specified

No Lead

STOP MATERIAL SPECIFICATIONS	
Body	No-Lead brass, chrome plated
Lock Shield Stem	No-Lead brass, chrome plated
Bib & Packing Washer	Rubber
Lock Shield	Brass, chrome plated
Loose Key	Zinc die cast
Compression Nut	Brass, chrome plated
Compression Sleeve	Brass
PEX Insert*	Stainless steel

Standard Part Listing:

- SCR1B C 3/8" nom compression x 3/8" OD compression, chrome plated
- SCR09 C 1/2" nom compression x 1/4" OD compression with loose key, chrome plated
- SCR09 R 1/2" nom compression x 1/4" OD compression with loose key, rough brass
- SCR19 C 1/2" nom compression x 3/8" OD compression with loose key, chrome plated
- SCR19 C1 1/2" nom compression x 3/8" OD compression with loose key, chrome plated, window box
- SCR19 R 1/2" nom compression x 3/8" OD compression with loose key, rough brass

This specification and all information contained herein is the confidential and exclusive property of BrassCraft Manufacturing, and shall not be disclosed to others without the written consent of BrassCraft Mfg. This specification must be returned to BrassCraft Mfg. if requested.



OCR1912AX / OCR1915AX / OCR1920AX Copper Faucet Supply Kit - Multi-Turn Compression Angle Stop

Part Listing:

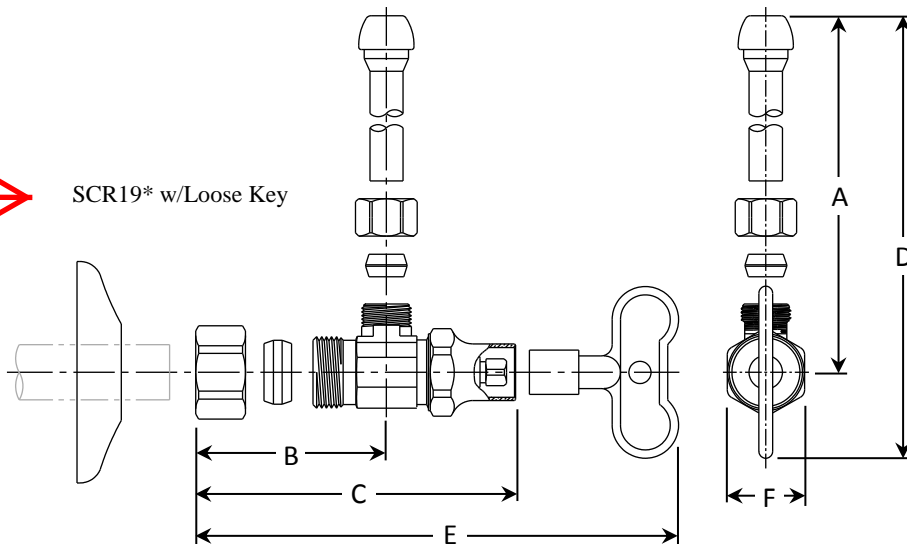
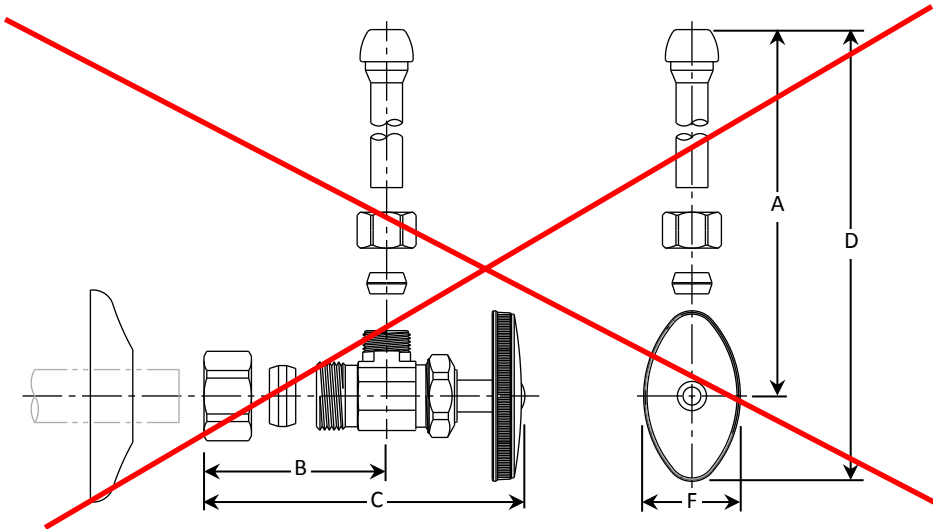
<input type="checkbox"/>	OCR1912AX C	1/2" nom compression x 3/8" OD compression stop with 3/8" OD tube x 11-1/2" length riser & shallow escutcheon, chrome plated
<input type="checkbox"/>	OCR1912AX R	1/2" nom compression x 3/8" OD compression stop with 3/8" OD tube x 11-1/2" length riser & shallow escutcheon, rough brass
<input type="checkbox"/>	OCR1912AZX C	1/2" nom compression x 3/8" OD compression stop, brass stem with 3/8" OD tube x 11-1/2" length riser & shallow escutcheon, chrome plated
<input type="checkbox"/>	OCR1915AX C	1/2" nom compression x 3/8" OD compression stop with 3/8" OD tube x 14-1/2" length riser & shallow escutcheon, chrome plated
<input type="checkbox"/>	OCR1920AX C	1/2" nom compression x 3/8" OD compression stop with 3/8" OD tube x 19-1/2" length riser & shallow escutcheon, chrome plated
<input type="checkbox"/>	OCR1920AX BZ	1/2" nom compression x 3/8" OD compression stop with 3/8" OD tube x 19-1/2" length riser & shallow escutcheon, oil rubbed bronze
<input type="checkbox"/>	OCR1920AX NS	1/2" nom compression x 3/8" OD compression stop with 3/8" OD tube x 19-1/2" length riser & shallow escutcheon, satin nickel
<input type="checkbox"/>	OCR1920AZX C	1/2" nom compression x 3/8" OD compression stop, brass stem with 3/8" OD tube x 19-1/2" length riser & shallow escutcheon, chrome plated
<input type="checkbox"/>	OCR1920AZX R	1/2" nom compression x 3/8" OD compression stop, brass stem with 3/8" OD tube x 19-1/2" length riser & shallow escutcheon, rough brass
<input checked="" type="checkbox"/>	SCR1912AX C	1/2" nom compression x 3/8" OD compression stop with 3/8" OD tube x 11-1/2" length riser & shallow escutcheon, loose key, chrome plated
<input type="checkbox"/>	SCR1915AX C	1/2" nom compression x 3/8" OD compression stop with 3/8" OD tube x 14-1/2" length riser & shallow escutcheon, loose key, chrome plated
<input type="checkbox"/>	SCR1920AX C	1/2" nom compression x 3/8" OD compression stop with 3/8" OD tube x 19-1/2" length riser & shallow escutcheon, loose key, chrome plated
<input type="checkbox"/>	SSCR1912AX C	1/2" nom compression x 3/8" OD compression stop with 3/8" OD tube x 11-1/2" length riser & shallow escutcheon, screwdriver slot, chrome plated
<input type="checkbox"/>	SSCR1915AX C	1/2" nom compression x 3/8" OD compression stop with 3/8" OD tube x 14-1/2" length riser & shallow escutcheon, screwdriver slot, chrome plated
<input type="checkbox"/>	SSCR1920AX C	1/2" nom compression x 3/8" OD compression stop with 3/8" OD tube x 19-1/2" length riser & shallow escutcheon, screwdriver slot, chrome plated
<input type="checkbox"/>	STCR1912AX C	1/2" nom compression x 3/8" OD compression stop with 3/8" OD tube x 11-1/2" length riser & shallow escutcheon, loose key, stuffing box, lock shield, chrome plated
<input type="checkbox"/>	STCR1915AX C	1/2" nom compression x 3/8" OD compression stop with 3/8" OD tube x 14-1/2" length riser & shallow escutcheon, loose key, stuffing box, lock shield, chrome plated
<input type="checkbox"/>	STCR1920AX C	1/2" nom compression x 3/8" OD compression stop with 3/8" OD tube x 19-1/2" length riser & shallow escutcheon, loose key, stuffing box, lock shield, chrome plated

This specification and all information contained herein is the confidential and exclusive property of BrassCraft Manufacturing, and shall not be disclosed to others without the written consent of BrassCraft Mfg. This specification must be returned to BrassCraft Mfg. if requested.

BrassCraft[®]

~~OCR1912AX / OCR1915AX / OCR1920AX~~ Copper Faucet Supply Kit
- Multi-Turn Compression Angle Stop

PART DIMENSIONS (Inches)						
Model	DIM. A	DIM. B	DIM. C	DIM. D	DIM. E	DIM. F
OCR1912AX /AZX	12.0	1.16	2.84	13.0	-	1.14
OCR1915AX	15.0	1.16	2.84	16.0	-	1.14
OCR1920AX /AZX	20.0	1.16	2.84	21.0	-	1.14
SCR1912AX	12.0	1.20	2.64	13.0	4.49	.88
SCR1915AX	15.0	1.20	2.64	16.0	4.49	.88
SCR1920AX	20.0	1.20	2.64	21.0	4.49	.88
SSCR1912AX	12.0	1.20	2.64	-	-	.88
SSCR1915AX	15.0	1.20	2.64	-	-	.88
SSCR1920AX	20.0	1.20	2.64	-	-	.88
STCR1912AX	12.0	1.20	3.03	13.0	4.88	.88
STCR1915AX	15.0	1.20	3.03	16.0	4.88	.88
STCR1920AX	20.0	1.20	3.03	21.0	4.88	.88



This specification and all information contained herein is the confidential and exclusive property of BrassCraft Manufacturing, and shall not be disclosed to others without the written consent of BrassCraft Mfg. This specification must be returned to BrassCraft Mfg. if requested.

