


For Residential and Commercial Applications

Job Name		Engineer / Architect	
Job Location		Wholesaler	
Submittal Date		Contractor	

OCR1912AX / OCR1915AX / OCR1920AX Copper Faucet Supply Kit - Multi-Turn Compression Angle Stop

Use: For use in potable water distribution systems in accessible locations only. Not intended for recirculating water systems that produce continuous use temperatures above 115° F. For those applications, use our KT™ series ball stop supply kits.

Design Features:

- **Everything you need.** These kits combine our trusted BrassCraft® supply stop, copper riser, and escutcheon for an easy-to-install connection
-  **No Lead**

Copper Riser Provides:

- **One-piece** construction
- **Cut-to-length** for a clean, professional installation

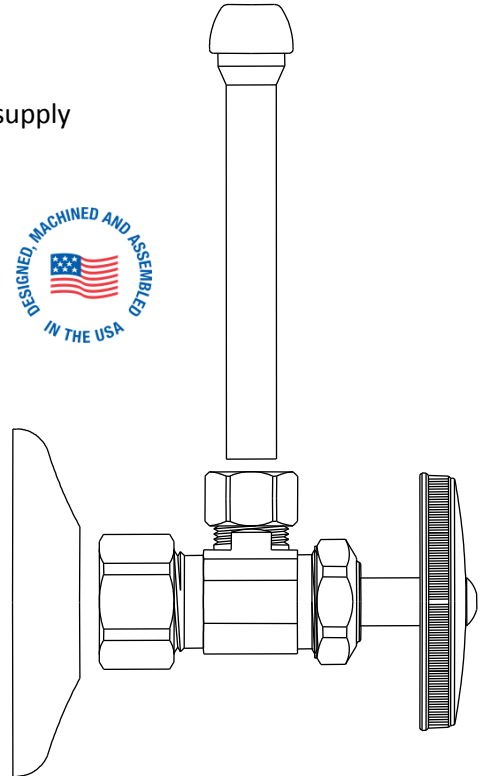
Multi-Turn Stop Provides:

- **Machined one-piece brass body** provides strength, durability, and long-lasting performance
- **Oval knurled handle** provides a secure grip and smooth on/off operation
- **Easy-to-remove handle** helps protect against accidental stop operation during rough-ins

Operating Specifications:

Temperature: 40°- 140° F
Pressure: 125 PSI maximum

Tubing Diameter: 3/8" OD



CONNECTOR MATERIAL SPECIFICATIONS	
Tube	<i>Copper or copper, chrome plated</i>
Insert	<i>POM</i>

STOP MATERIAL SPECIFICATIONS	
Body	<i>Brass or brass, chrome plated</i>
Stem	<i>POM; brass; or brass, chrome plated</i>
Handle	<i>Zinc, die cast plated; ABS, plated; or Polycarbonate</i>
Handle Screw	<i>Steel, zinc plated</i>
Bib & Packing Washer	<i>Rubber</i>
Packing Nut	<i>Brass or brass, chrome plated</i>
Loose Key	<i>Zinc, die cast</i>
Loose Key Stem	<i>Brass, chrome plated</i>
Lock Shield	<i>Brass or brass, chrome plated</i>

This specification and all information contained herein is the confidential and exclusive property of BrassCraft Manufacturing, and shall not be disclosed to others without the written consent of BrassCraft Mfg. This specification must be returned to BrassCraft Mfg. if requested.



OCR1912AX / OCR1915AX / OCR1920AX Copper Faucet Supply Kit - Multi-Turn Compression Angle Stop

Part Listing:

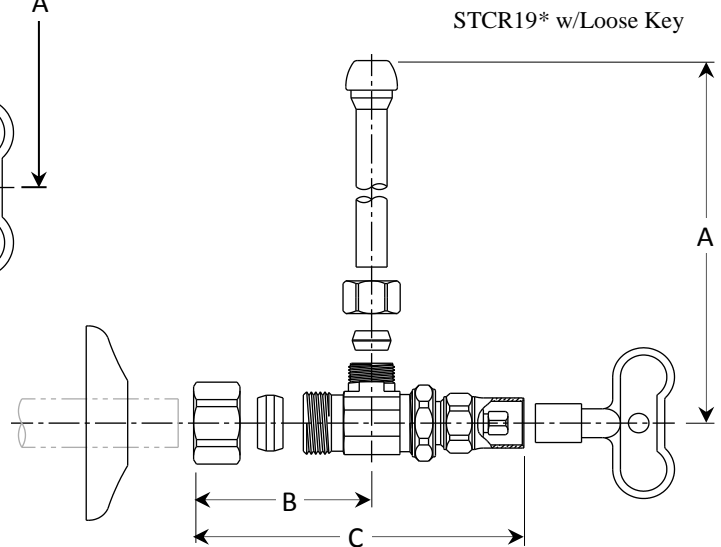
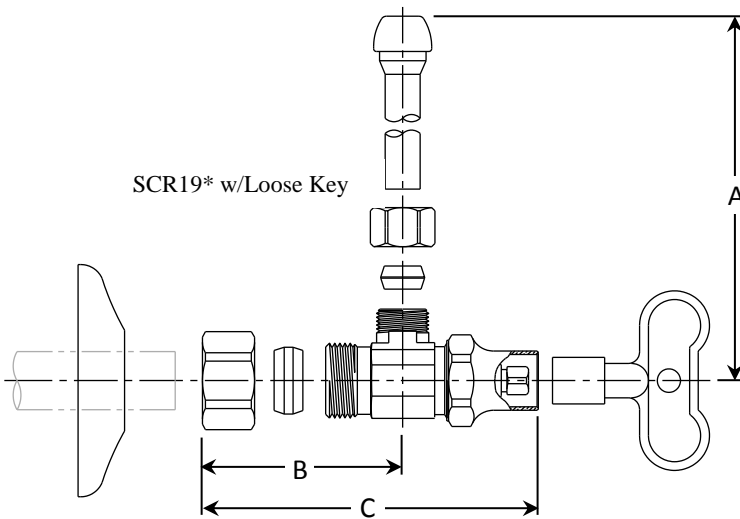
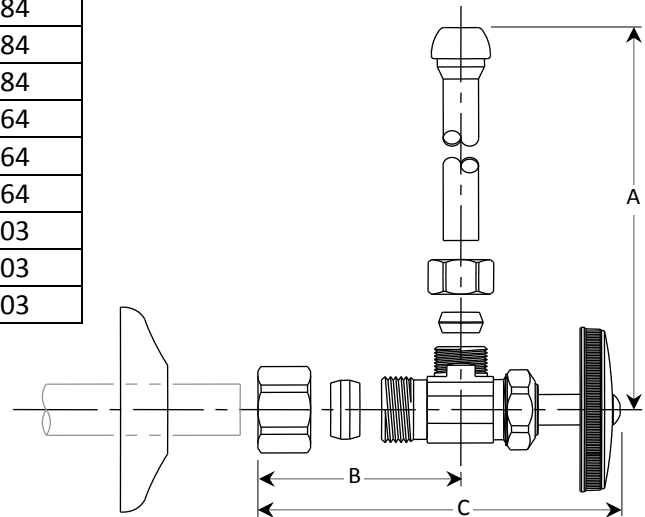
- | | | |
|--------------------------|--------------|--|
| <input type="checkbox"/> | OCR1912AX C | 1/2" nom compression x 3/8" OD compression stop with 3/8" OD tube x 11-1/2" length riser & shallow escutcheon, chrome plated |
| <input type="checkbox"/> | OCR1912AX R | 1/2" nom compression x 3/8" OD compression stop with 3/8" OD tube x 11-1/2" length riser & shallow escutcheon, rough brass |
| <input type="checkbox"/> | OCR1912AZX C | 1/2" nom compression x 3/8" OD compression stop, brass stem with 3/8" OD tube x 11-1/2" length riser & shallow escutcheon, chrome plated |
| <input type="checkbox"/> | OCR1915AX C | 1/2" nom compression x 3/8" OD compression stop with 3/8" OD tube x 14-1/2" length riser & shallow escutcheon, chrome plated |
| <input type="checkbox"/> | OCR1920AX C | 1/2" nom compression x 3/8" OD compression stop with 3/8" OD tube x 19-1/2" length riser & shallow escutcheon, chrome plated |
| <input type="checkbox"/> | OCR1920AX BZ | 1/2" nom compression x 3/8" OD compression stop with 3/8" OD tube x 19-1/2" length riser & shallow escutcheon, oil rubbed bronze |
| <input type="checkbox"/> | OCR1920AX NS | 1/2" nom compression x 3/8" OD compression stop with 3/8" OD tube x 19-1/2" length riser & shallow escutcheon, satin nickel |
| <input type="checkbox"/> | OCR1920AZX C | 1/2" nom compression x 3/8" OD compression stop, brass stem with 3/8" OD tube x 19-1/2" length riser & shallow escutcheon, chrome plated |
| <input type="checkbox"/> | OCR1920AZX R | 1/2" nom compression x 3/8" OD compression stop, brass stem with 3/8" OD tube x 19-1/2" length riser & shallow escutcheon, rough brass |
| <input type="checkbox"/> | SCR1912AX C | 1/2" nom compression x 3/8" OD compression stop with 3/8" OD tube x 11-1/2" length riser & shallow escutcheon, loose key, chrome plated |
| <input type="checkbox"/> | SCR1915AX C | 1/2" nom compression x 3/8" OD compression stop with 3/8" OD tube x 14-1/2" length riser & shallow escutcheon, loose key, chrome plated |
| <input type="checkbox"/> | SCR1920AX C | 1/2" nom compression x 3/8" OD compression stop with 3/8" OD tube x 19-1/2" length riser & shallow escutcheon, loose key, chrome plated |
| <input type="checkbox"/> | STCR1912AX C | 1/2" nom compression x 3/8" OD compression stop with 3/8" OD tube x 11-1/2" length riser & shallow escutcheon, loose key, stuffing box, lock shield, chrome plated |
| <input type="checkbox"/> | STCR1915AX C | 1/2" nom compression x 3/8" OD compression stop with 3/8" OD tube x 14-1/2" length riser & shallow escutcheon, loose key, stuffing box, lock shield, chrome plated |
| <input type="checkbox"/> | STCR1920AX C | 1/2" nom compression x 3/8" OD compression stop with 3/8" OD tube x 19-1/2" length riser & shallow escutcheon, loose key, stuffing box, lock shield, chrome plated |

This specification and all information contained herein is the confidential and exclusive property of BrassCraft Manufacturing, and shall not be disclosed to others without the written consent of BrassCraft Mfg. This specification must be returned to BrassCraft Mfg. if requested.

BrassCraft®

OCR1912AX / OCR1915AX / OCR1920AX Copper Faucet Supply Kit - Multi-Turn Compression Angle Stop

PART DIMENSIONS (Inches)			
Model	DIM. A	DIM. B	DIM. C
OCR1912AX /AZX	12.0	1.16	2.84
OCR1915AX	15.0	1.16	2.84
OCR1920AX /AZX	20.0	1.16	2.84
SCR1912AX	12.0	1.20	2.64
SCR1915AX	15.0	1.20	2.64
SCR1920AX	20.0	1.20	2.64
STCR1912AX	12.0	1.20	3.03
STCR1915AX	15.0	1.20	3.03
STCR1920AX	20.0	1.20	3.03



Listings & Certifications:

- IAPMO listed to ASME A112.18.1 / CSA B125.1 (File # 0645)
- CSA listed to ASME A112.18.1 / CSA B125.1 (File # 204593)
- No-Lead product CSA listed to Low Lead Content Certification Program – Plumbing Products Class 6853-01



This specification and all information contained herein is the confidential and exclusive property of BrassCraft Manufacturing, and shall not be disclosed to others without the written consent of BrassCraft Mfg. This specification must be returned to BrassCraft Mfg. if requested.

BrassCraft®