



- Ideal for Barrier-Free Shower Room
- Industry Unique Hinge Design for Quick and Easy Installation and Maintenance
- Completely Preassembled and Ready to Mount to a Wall
- Flexible Supply Connections

Specifications

Materials

Shower panel is type 300 Series stainless steel. All other exposed parts are stainless steel or chrome-plated brass. Supply inlets are flexible stainless steel hoses.

Standard Equipment

Shower Panel

Shower panel is constructed of 18 gauge stainless steel. Top and bottom covers are riveted onto shower panel.

Hinges

Stainless steel barrel hinges to mount shower to wall.

Showerhead

Showerhead is chrome plated brass with 2.0 GPM (7.6 LPM) flow control, ball joint and adjustable spray pattern control.

Control Valve

All exposed parts are chrome plated or stainless steel, all valves are ADA compliant. Control valve can be hot and cold type, single temperature type or metering.

Diverter Valve

Lever handle operation for easy transfer of water flow between fixed showerhead and hand-held shower spray.

Hand-Held Shower Spray

Consisting of hand shower with on-off control, a 60" stainless steel flexible hose and post style mounting bracket to hold to shower panel. Elevated in-line backflow preventer with quick disconnect for flexible hose.

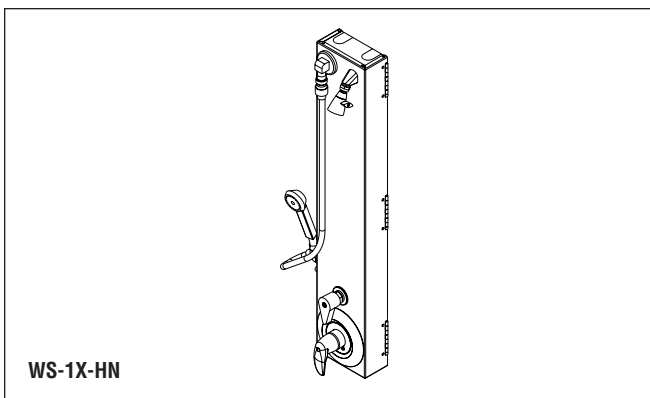
Supply Inlets

Supply inlets are 24" flexible, stainless steel hoses with 1/2" NPT connections. Inlets are accessible through back of shower or through knockouts in the top and bottom covers.

ADA Requirements



This shower complies with most, but not all, ADA dimensional requirements. Check local codes prior to installation.



WS-1X-HN

Standard Selections (Must select one)

Valve Type (select one)

Hot/Tempored and Cold Supplies

- EF** Equa-Flo Pressure Balancing Valve
- HD** Equa-Flo HD Pressure Balancing Valve
- TMV** Thermostatic Mixing Valve

Single Tempored/Cold Supply

- AST** Air Metering Valve
- SVL** Single Compression Valve
- TT** TouchTime® Metering Valve

Optional Selections

Showerheads

- S** Standard Institutional Showerhead

Flow Control (Available with S Showerhead Only)

- G** 1.5 GPM (5.7LPM) Flow Control (Shower and Hand Shower)

Ball Joint (Available with S Showerhead Only)

- LBJ** Lockable Ball Joint

Miscellaneous

- SB** 24" Slide Bar
- B30** 30" Slide Bar (currently available on WS-1X-HN model only)
- SL** Sloped Top
- SD** Wall Mounted Cake Soap Dish
- SHV** Vertical Shroud:
 - Showerhead Height _____
 - Floor to Ceiling Height _____
- SHH** Horizontal Shroud* **
- VS** Vandal Resistant Screws

*Non-cancelable, non-returnable

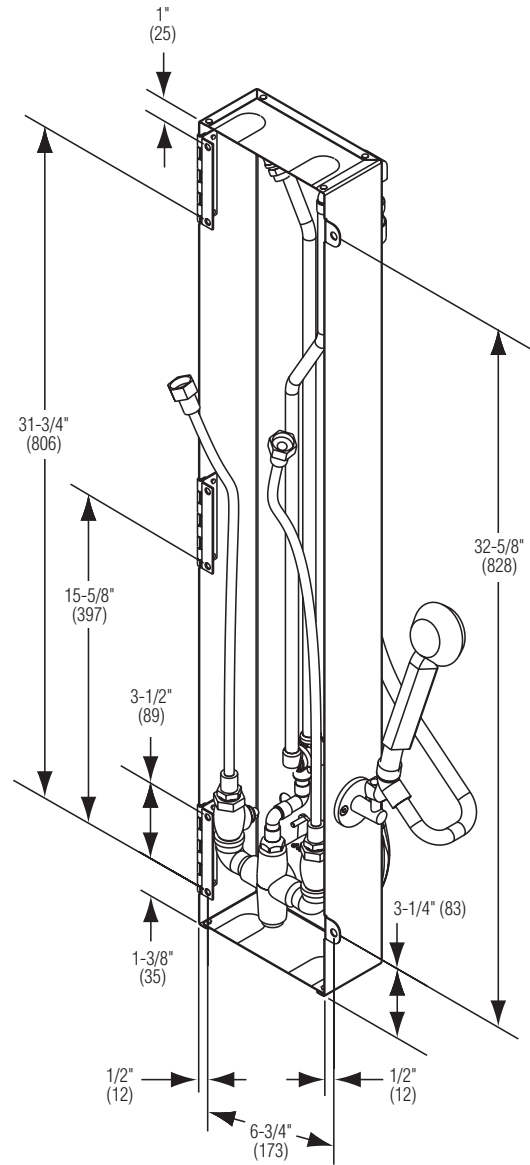
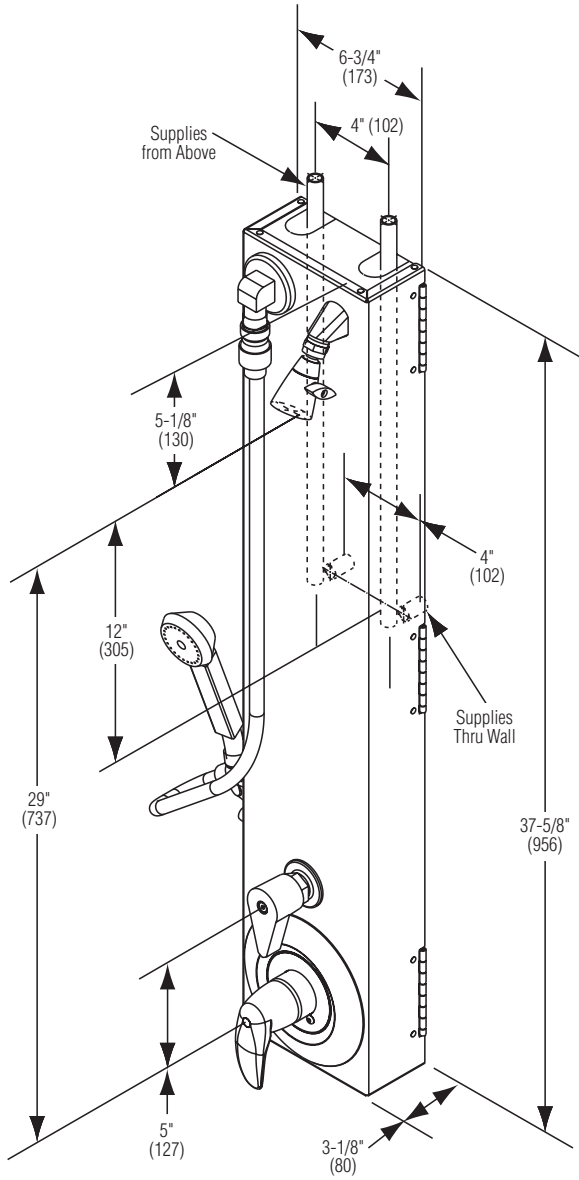
** Submittal drawings required.



WS-1X-HN Individual Pivoting Barrier-Free Wall Shower

Rough-In Dimensions

(mm)



Equa-Flo Valve shown. Valve location and rough-ins same for other valves.