



WS-1WCA-ADA Individual Coverall Wall Shower-ADA Compliant

- Quick, Easy Installation
- Completely Preassembled Wall Shower Unit
- Ideal for Barrier-Free Shower Rooms

Specifications

Materials

Shower panel is type 304 stainless steel. All other exposed parts are stainless steel or chrome-plated brass. Valve bodies are brass casting. Supply inlets are flexible stainless steel hoses.

Standard Equipment

Shower Panel

Constructed of 18 gauge stainless steel. Shower panel top covers are sloped, and constructed of 16 gauge stainless steel.

Supply Inlets

Supply inlets are 24" flexible, stainless steel hoses with 1/2" NPT connections. Inlets are accessible through the back of the shower or through knockouts in the top covers.

Hand-Held Hose Spray

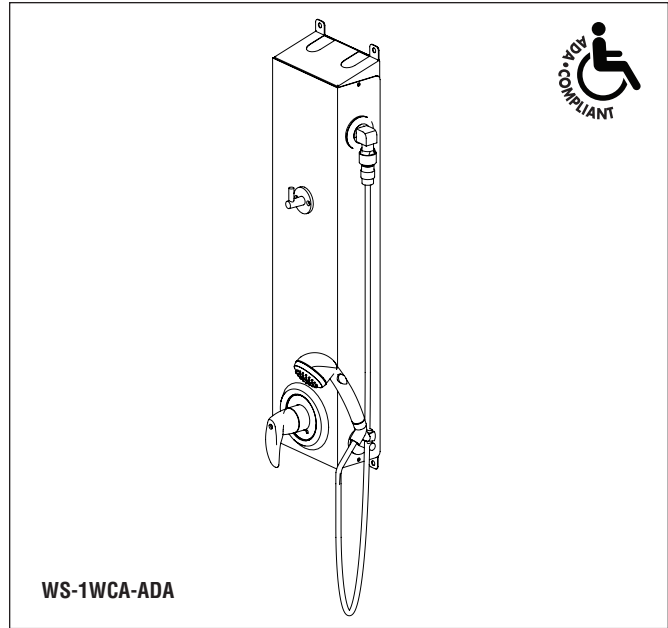
Consisting of hand shower with on-off control, a 60" stainless steel flexible hose and post style mounting brackets to hold to shower panel. Elevated in-line backflow preventer with quick-disconnect for flexible hose.

Code Compliance and Certification

When installed properly, the WS-1WCA-ADA is designed to comply with all known ADA guidelines on reaches, clearances, and operation.



Check local applicable codes for dimensional compliance.



Standard Selections (Must select one)

Valve Type (select one)

Hot/Tempored and Cold Supplies

- EF** Equa-Flo Pressure Balancing Valve
- HD** Equa-Flo HD Pressure Balancing Valve
- TMV** Thermostatic Mixing Valve

Single Tempored/Cold Supply

- AST** Air Metering Valve
- TT** TouchTime[®] Metering Valve**

Optional Selections

Barrier-Free Options

- RSS** Reversible Phenolic Shower Seat
- GB1** Grab Bar - 24" Straight
- GB2** Grab Bar - Two Wall
- SB** Slide Bar

Flow Control - Hand-Held Shower

- G** 1.5 GPM (5.7 LPM) Flow Control

Miscellaneous

- SHV** Vertical Shroud:
Showerhead Height _____
Floor to Ceiling Height _____
- SHH** Horizontal Shroud (per 3' section)*
- ST** Stops in Supplies (each)
- VS** Vandal Resistant Screws

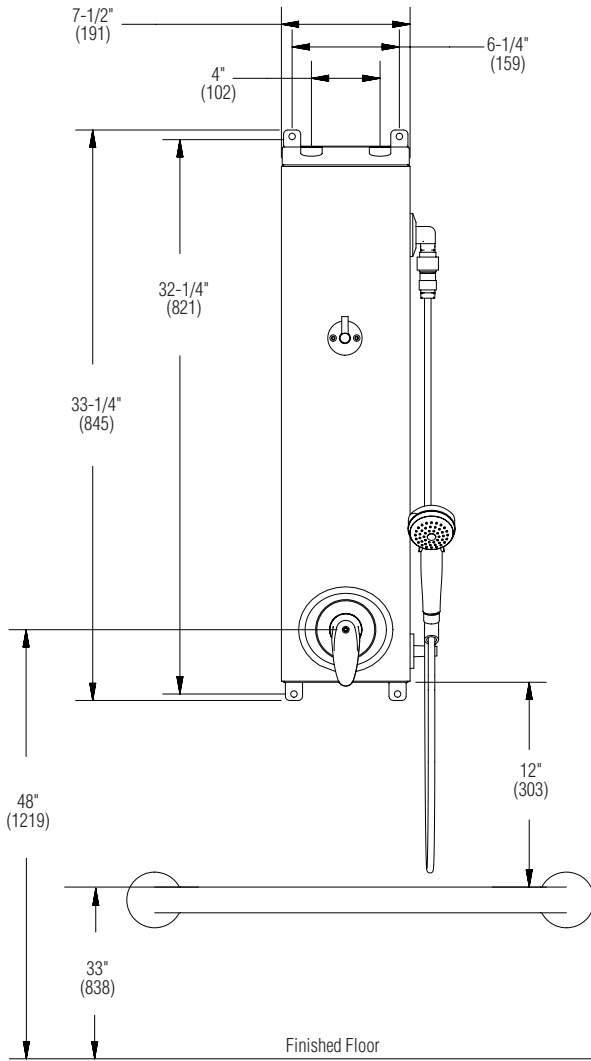
*Non-cancelable, non-returnable

**AZ and TT valves require optional 24V Class 2 transformers, available as a separate item from Bradley. PT (S83-134) 24V Plug In Transformer (1/2 amp) Up to 2 showers. 4RT (S45-2045) 24V Remote Transformer (2amp) Up to 4 showers.



WS-1WCA-ADA Individual Coverall Wall Shower-ADA Compliant

Dimensions for Shower



Dimensions for Shower with Optional Vertical Shroud

(mm)

