



- Completely Preassembled Shower Unit
- Ready for Connection to Plumbing Supplies
- No Mounting Frame Required

Specifications

Materials

Shower panel is 18 gauge type 304 stainless steel. All other exposed parts are stainless steel or chrome-plated brass. Valve bodies are brass casting. Supply inlets are flexible stainless steel hoses.

Standard Equipment

Flow Control

A 1.5 GPM (5.7 LPM) flow control is standard. Actual flow may vary, but will not exceed 2.0 GPM (7.6 LPM) Max.

Shower Panel

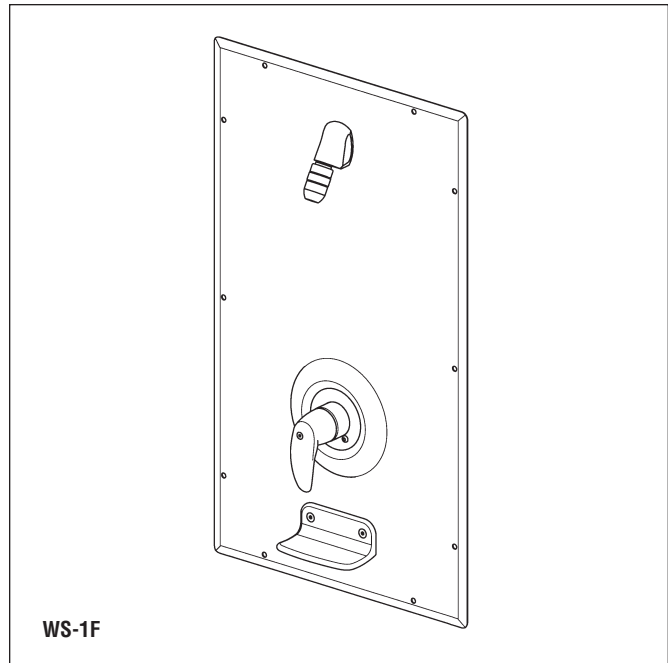
Shower panel constructed of 18 gauge stainless steel. Stainless steel soap tray mounted to panel. (10) 1/4 – 20 x 3/4" mounting screws furnished (wall anchors by others).

Showerhead

Standard fixed direction adjustable spray showerhead (S15).

Supply Inlets

Supply inlets are flexible, stainless steel hoses with 1/2" NPT connections. Inlets are accessible through the back of the shower.



WS-1F

Standard Selections (Must select one from each category)

Showerhead Type

- S15** Standard Showerhead (Flow Rate = 1.5 GPM/5.7 LPM)
- SX15** Severe Service Showerhead (Flow Rate = 1.5 GPM/5.7 LPM)
- S20** Standard Showerhead (Flow Rate = 2.0 GPM/7.6 LPM)
- SX20** Severe Service Showerhead (Flow Rate = 2.0 GPM/7.6 LPM)
- SF** Deluxe Showerhead w/ Ball Joint (Flow Rate = 1.5 GPM/5.7 LPM)
- ES** Economy Soft Flow w/ Ball Joint (Flow Rate = 2.0 GPM/7.6 LPM)
- J** Multi-Jet Showerhead w/ Ball Joint (Flow Rate = 1.5GPM/5.7 LPM)
- LX** Luxury Showerhead w/ Ball Joint (Flow Rate = 1.5GPM/5.7 LPM)
- B** Axis Showerhead w/ Ball Joint (Flow Rate = 1.5GPM/5.7 LPM)

Valve Type (select one)

Hot/Tempored and Cold Supplies

- EF** Equa-Flo Pressure Balancing Valve
- HD** Equa-Flo HD Pressure Balancing Valve
- TMV** Thermostatic Mixing Valve
- HC** Hot and Cold Compression Valve*

Single Tempored/Cold Supply

- PM** Presto 50B Mechanical Metering Valve
- AST** Air Metering Valve
- TT** TouchTime® Metering Valve*§

Optional Selections

Volume Control (only available on S15 and S20 showerheads)

- AKV** Allen Key Volume Control
- LHV** Lever Handle Volume Control

Ball Joint (only available on S15 and S20 showerheads)

- LBJ** Lockable Ball Joint

Miscellaneous

- RSD** Recessed Soap Dish
- ST** Stops in Supplies (Included with EF, HD and TMV Valves)
- VS** Vandal Resistant Screws

*TT valves require optional 24V Class 2 transformers, available as a separate item from Bradley. PT (S83-134) 24V Plug In Transformer (1/2 amp) Up to 2 showers. 4RT (S45-2045) 24V Remote Transformer (2amp) Up to 4 showers.

§ Please visit www.bradleycorp.com/dc for important information regarding a regulatory requirement to convert Bradley's TT activations from AC to DC starting in late 2016.

Verify all rough-in dimensions prior to installation.

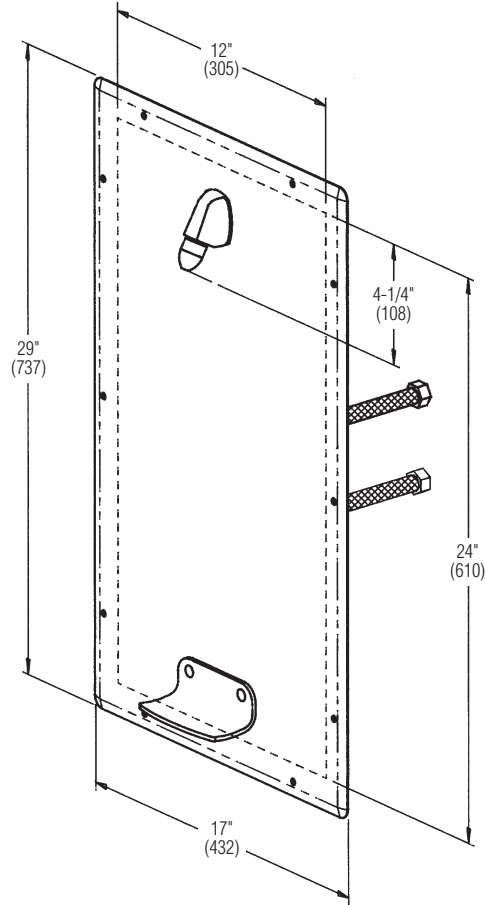
Consult local and national codes: conformity and compliance to local and national codes is the responsibility of the installer.



WS-1F Individual Flush-Mounted Wall Shower

Dimensions

(mm)



Rough-Ins

