



WF2703, WF2704, WF2705, WF2708 Stainless Steel Classic Washfountains

- cUPC Certified
- Available in 54" or 36" Diameter Semi-Circular or Circular Bowls
- 9" Deep Bowl, Designed for Heavy Duty Hand Washing
- Foot, Air Metering, Infrared or TouchTime® Control

Specifications

Size and Capacity

Semi-circular models accommodate up to 3 users (36" models) or 4 users (54" models) at a time. Circular models accommodate up to 5 users (36" models) or 8 users (54" models) at a time. All models utilize less water, energy and space than lavatories equipped with conventional faucets. Bowl, pedestal, and fittings require assembly. The operating range is 20-80 PSI. Flow rate controlled by volume control valve. Approximate flow-rates for each model:

- 36" semi-circular: 1.25 GPM
- 54" semi-circular: 3 GPM
- 36" circular: 2 GPM
- 54" circular: 5 GPM

Construction

Bowl: One-piece pressing of 14-gauge stainless steel with a #4 polished finish.

Pedestal: Constructed of die-formed legs, upper braces, scuff bases and panels: legs are zinc chromate plated 14 gauge steel; upper braces are 16 gauge galvanized steel; and scuff bases and pedestal panels are 300 series stainless steel with a #4 finish.

Standard Equipment

Valves and Fittings

In addition to the bowl and pedestal, the following valves and fittings are standard: sprayhead with stainless steel support tube and bowl gasket; spud with domed strainer; sprayhead supply line; manual mixing valve; volume control valve; and (2) stop, strainer and check valves.

Activation Controls

Foot Control

Each press of the foot rail mechanically actuates a hold-open valve, with slow closing upon release of foot pressure.

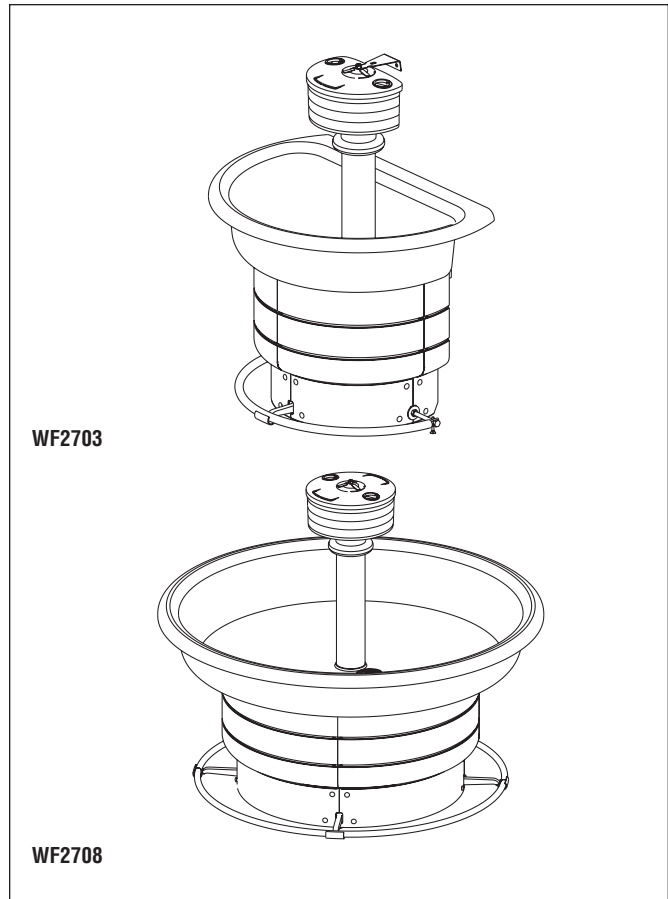
Air Valve Hand Control

Each push button pneumatically actuates a non-hold-open, air metering, single-temperature valve with field adjustable timing from 0–45 seconds. Factory preset at 10 seconds. Each push button activates a flow of tempered water from the non-sectional sprayhead. Push button requires less than five pounds of pressure.

Infrared Sensor §

Hands placed within the bowl are detected by an infrared sensor module which activates a flow of tempered water from the non-sectional sprayhead. Shut-off is automatic seven seconds after hands are removed from the detection area. The infrared sensor uses a conical-shaped transmitting beam, having a detection area adapted to, but not exceeding, the bowl perimeter. The detection area projects forward 15° to each side and 15° below and extends 6 to 9 inches from the sensor module. The infrared sensor is not affected by varying color tones or darkness. Direct sunlight or bright washroom lights will not activate the system. Infrared models also include solenoid valves and a low-voltage transformer as standard equipment:

- Solenoid – 24V, 50/60 Hz, 3/4" NPT. Few moving parts, and resistant to most chemicals, minerals, and impurities often present in municipal water supplies.
- Low-Voltage Transformer – Class II UL/CSA listed, 110/24 VAC plug-in transformer. Plugs into a standard GFCI protected electrical outlet. Location of transformer per local electrical code.



TouchTime® Hand Control §

Each low-voltage button actuates a non-hold-open, slow-closing anti-hammer solenoid valve that is timed from an electronic potted assembly. Each push button activates a flow of tempered water from the non-sectional sprayhead. TouchTime controls water flow through the use of solid state, digital circuitry. Timing is electronically controlled at 15 seconds. Push button requires less than five pounds of pressure.

§ Please visit www.bradleycorp.com/dc for important information regarding a regulatory requirement to convert Bradley's TT and IR activations from AC to DC starting in late 2016.

Code Compliance

cUPC Approval

Pre-Assembled Classic Washfountains are Uniform Plumbing Code (UPC), International Plumbing Code (IPC) and National Plumbing Code of Canada (NPC) approved through the International Association of Plumbing and Mechanical Officials (IAPMO). Manufactured in compliance with IGC 156-2009, CSA B45 Series-2002 (R08) & ASME A112.18.1-2005/CSA B125.1-2005.



Standard product selections contained within this document are third party **CERTIFIED** to NSF/ANSI 372 meeting the Lead-Free content requirement. Any product configured with custom options will be **COMPLIANT** with NSF/ANSI 372 meeting the Lead-Free content requirement.



Certified to
NSF/ANSI 372



© 2016 Bradley

P.O. Box 309, Menomonee Falls, WI 53052-0309
800 BRADLEY (800 272 3539) +1 262 251 6000
bradleycorp.com



WF2703, WF2704, WF2705, WF2708 Stainless Steel Classic Washfountains

| Models (Must select one) | | | |
|---------------------------------|-------------------|-------|-----------|
| Model | Size | Users | Material |
| <input type="checkbox"/> WF2703 | 36" Semi-Circular | 3 | Stainless |
| <input type="checkbox"/> WF2704 | 54" Semi-Circular | 4 | Stainless |
| <input type="checkbox"/> WF2705 | 36" Circular | 5 | Stainless |
| <input type="checkbox"/> WF2708 | 54" Circular | 8 | Stainless |

| Standard Selections (Must select one from each category) | |
|---|--|
| Drain Type (select one) | |
| <input type="checkbox"/> A | Off-line vent with supplies from below |
| <input type="checkbox"/> B | Centrally rising vent with supplies from above |
| <input type="checkbox"/> H | Centrally rising vent with supplies from below |
| <input type="checkbox"/> O | Off-line vent with supplies from above |

| Pedestal Height (select one) | |
|-------------------------------------|-------------------|
| <input type="checkbox"/> STD | Standard Height |
| <input type="checkbox"/> JUV | Juvenile Height † |

| Controls (select one) | |
|-------------------------------------|-----------------------|
| <input type="checkbox"/> F | Foot Control Valve |
| <input type="checkbox"/> IR | Infrared Activation § |
| <input type="checkbox"/> AST | Air Valve Metering |
| <input type="checkbox"/> TT | TouchTime® Metering § |

| Mixing Valve (select one) | |
|-------------------------------------|---------------------|
| <input type="checkbox"/> MMV | Manual Mixing Valve |

| Soap Dispenser (select one) | |
|-------------------------------------|-------------------------|
| <input type="checkbox"/> PSD | Powdered Soap Dispenser |
| <input type="checkbox"/> NSD | No Soap Dispenser |
| <input type="checkbox"/> LSD | Liquid Soap Dispenser |

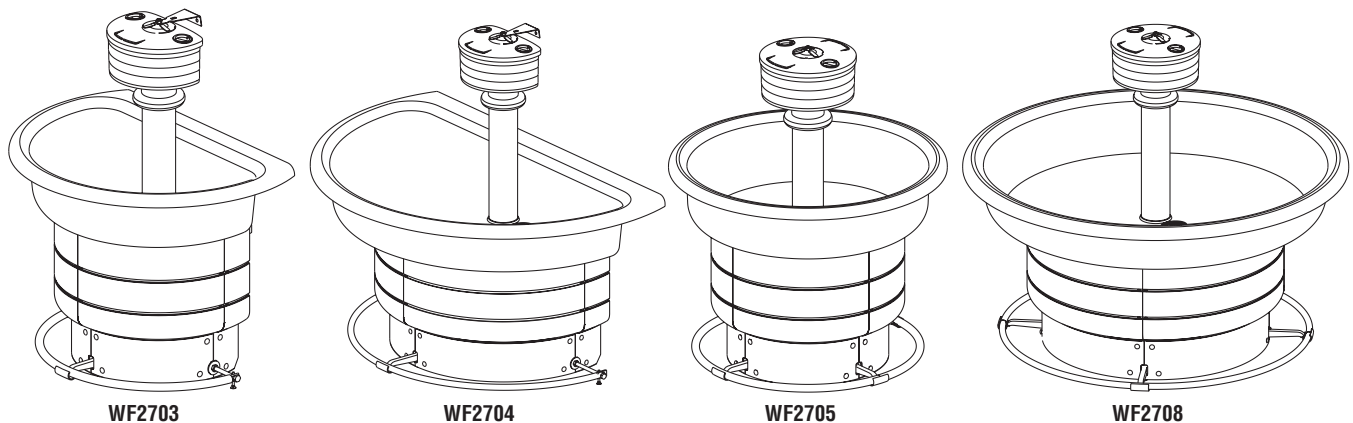
| Optional Selections | |
|--|--|
| Thermostatic Mixing Valve | |
| <input type="checkbox"/> TMA | Thermostatic Mixing Valve (in lieu of manual mixing valve) |
| Metal Soap Dispenser | |
| <input type="checkbox"/> MLSD | Metal-Clad Liquid Soap Dispenser |
| <input type="checkbox"/> MPSD | Metal-Clad Powdered Soap Dispenser |
| 1-1/2" Tie Pipe Assembly | |
| <input type="checkbox"/> TA | Reinforces Support Tube |
| Shroud | |
| <input type="checkbox"/> SH | Stainless Steel Shroud (Conceals Overhead Piping) |
| Hose Bibb | |
| <input type="checkbox"/> HB | Hose Bibb* |
| Paper Towel Dispensers | |
| <input type="checkbox"/> CTD (2) | C-Fold, Multi-Fold Dispenser |
| <input type="checkbox"/> SFTD (2) | Single-Fold Dispenser |

* Non-cancelable, not-returnable

† Not available with Foot Control on drain types B & H

§ Please visit www.bradleycorp.com/dc for important information regarding a regulatory requirement to convert Bradley's TT and IR activations from AC to DC starting in late 2016.

Semi-Circular Stainless Steel WF2703 and WF2704, Circular Stainless Steel WF2705 and WF2708

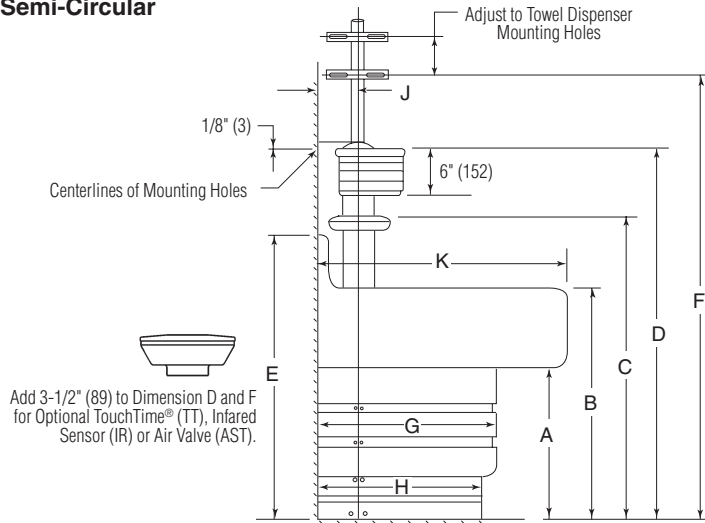




WF2703, WF2704, WF2705, WF2708 Stainless Steel Classic Washfountains

Dimensions — Foot Controlled Semi-Circular

(mm)



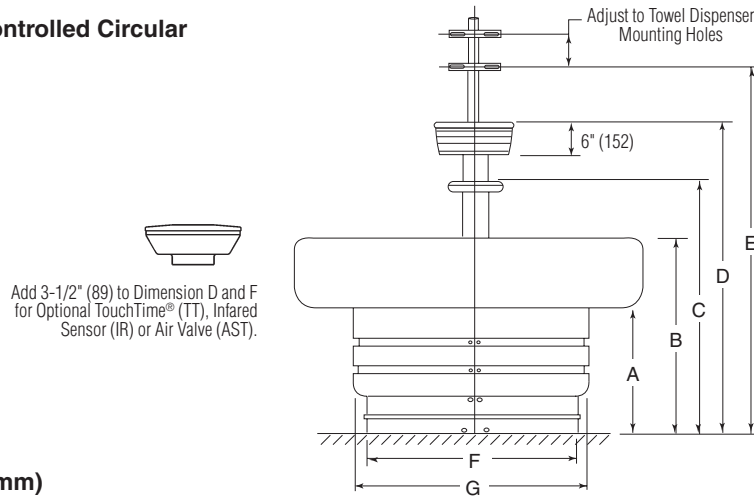
Dimensions – Inches (mm)

| Size | A* | B* | C* | D* | E* | F* | G | H | J | K |
|-----------|----------|----------|--------------|---------------|----------------|---------------|--------------|--------------|-------------|--------------|
| 54 (1372) | 19 (483) | 28 (711) | 37-3/8 (949) | 45-7/8 (1165) | 32-1/2** (826) | 54-1/4 (1378) | 26-1/4 (667) | 24-1/4 (616) | 8-1/4 (210) | 35-1/4 (895) |
| 36 (914) | 19 (483) | 28 (711) | 33-7/8 (860) | 42-3/8 (1076) | 32-1/2** (826) | 50-3/4 (1289) | 20-1/4 (514) | 18-1/4 (464) | 7-3/4 (197) | 25-3/4 (654) |

* Subtract 4" for Juvenile Height

** Backsplash: Only when backplash is specified; otherwise, dimension B applies.

Dimensions — Foot Controlled Circular



Dimensions – Inches (mm)

| Size | A* | B* | C* | D* | E* | F | G |
|-----------|----------|----------|--------------|---------------|---------------|----------|----------|
| 54 (1372) | 19 (483) | 28 (711) | 37-3/8 (949) | 45-7/8 (1165) | 54-1/4 (1378) | 32 (813) | 36 (914) |
| 36 (914) | 19 (483) | 28 (711) | 33-7/8 (860) | 42-3/8 (1076) | 50-3/4 (1289) | 21 (533) | 25 (635) |

* Subtract 4" for Juvenile Height



WF2703, WF2704, WF2705, WF2708 Stainless Steel Classic Washfountains

(mm)

Rough-In Notes

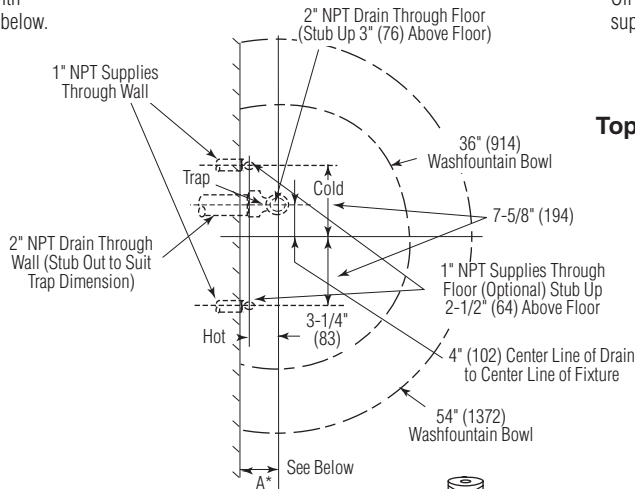
1. All pipes and fittings not furnished by Bradley are shown in broken lines.
2. Supply lines for one to two washfountains should be 1"; for three washfountains 1-1/4"; for more than three washfountains, pipe sizes should be increased proportionately.
3. Overhead supplies must be reduced to 1/2" copper tube to pass through support tube.
4. Check valve inlets are 1/2" NPT.
5. Drain Types B and H: For maximum rigidity of sprayhead/support tube assembly, use 1-1/2" NPT galvanized pipe for vent. Use of plastic or copper for vent is not recommended.

Rough-Ins – Semi-Circular

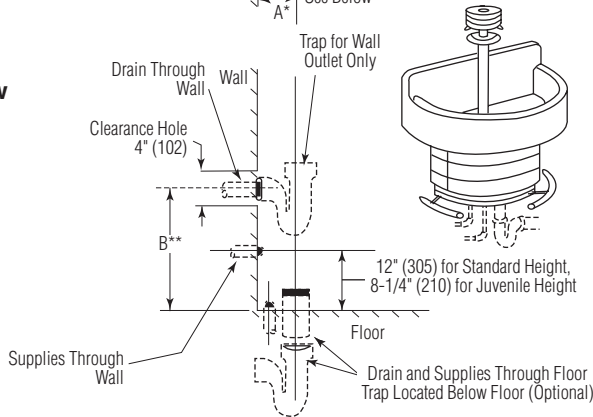
Type A

– Off-line vent with supplies from below.

Top View



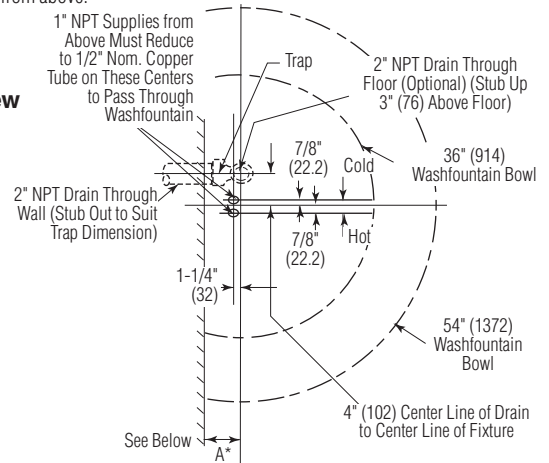
Side View



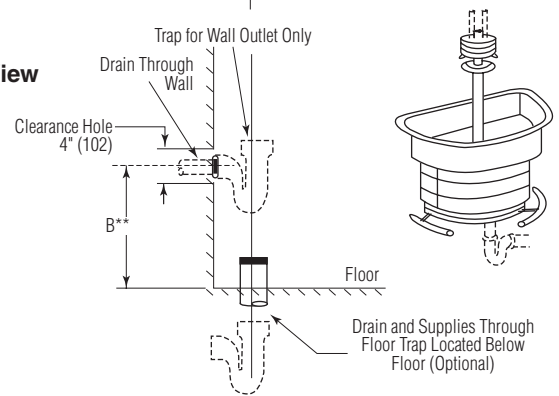
Type O

– Off-line vent with supplies from above.

Top View



Side View



Installing Traps

When installing trap with a coupling and nipple, see dimension D in the chart below. If trap is installed tight to bottom of bowl, dimension D depends on design of trap.

| Bowl Size | A* | B** (Standard Height) | B** (Juvenile Height) |
|------------|--------------|---------------------------|---------------------------|
| 54" (1372) | 8-1/4" (210) | 6 to 11-5/8" (152 to 295) | 16 to 8-5/8" (152 to 219) |
| 36" (914) | 7-3/4" (197) | 6 to 12" (152 to 305) | 6 to 9" (152 to 229) |

* Wall to centerline of trap

** Centerline of drain to floor



WF2703, WF2704, WF2705, WF2708 Stainless Steel Classic Washfountains

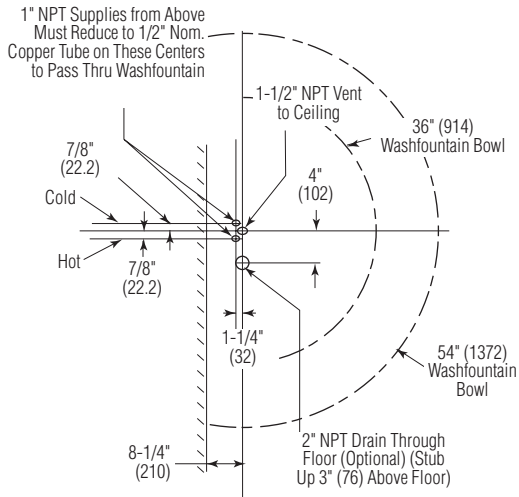
Rough-Ins – Semi-Circular (continued)

(mm)

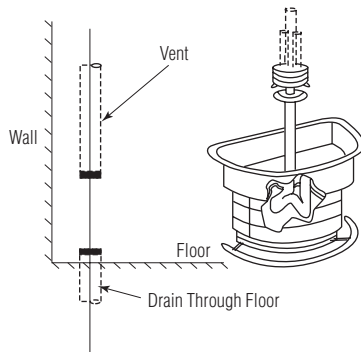
Type B

– Centrally rising vent with supplies from above.

Top View



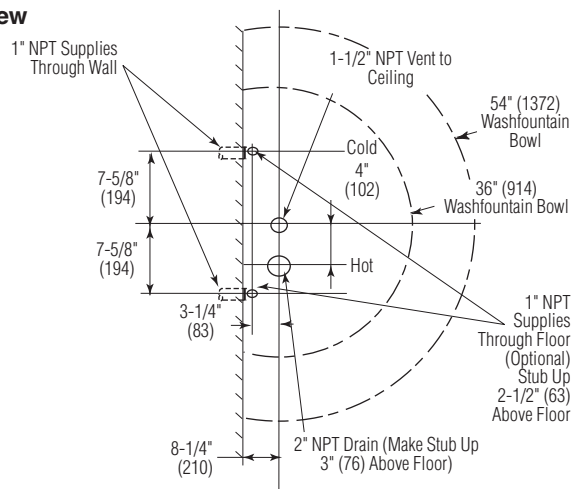
Side View



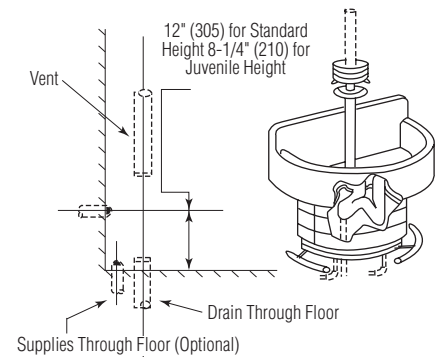
Type H

– Centrally rising vent with supplies from below.

Top View



Side View

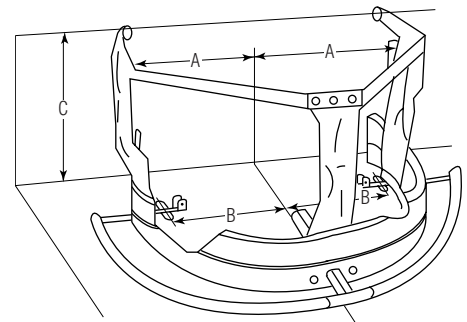


Dimensions – Pedestal Anchoring

| Bowl Size | Standard Height | | | Juvenile Height | | |
|------------|-----------------|--------------|---------------|-----------------|--------------|---------------|
| | A | B | C | A | B | J |
| 54" (1372) | 16-1/2" (419) | 14" (356) | 18-1/4" (464) | 16-1/2" (419) | 14" (356) | 14-1/4" (362) |
| 36" (914) | 11" (279) | 8-5/8" (219) | 18-1/4" (464) | 11" (279) | 8-5/8" (219) | 14-1/4" (362) |

Anchoring Pedestals

1. Place pedestal assembly as shown.
2. Anchor pedestal assembly to floor and wall with suitable wall fasteners.
Backing may be required in some types of wall construction.



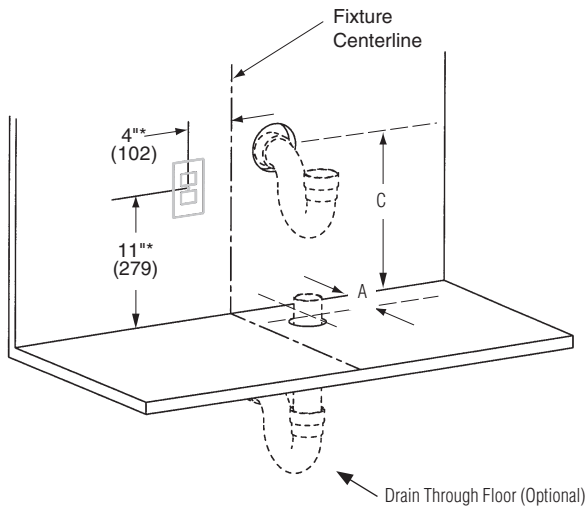


WF2703, WF2704, WF2705, WF2708 Stainless Steel Classic Washfountains

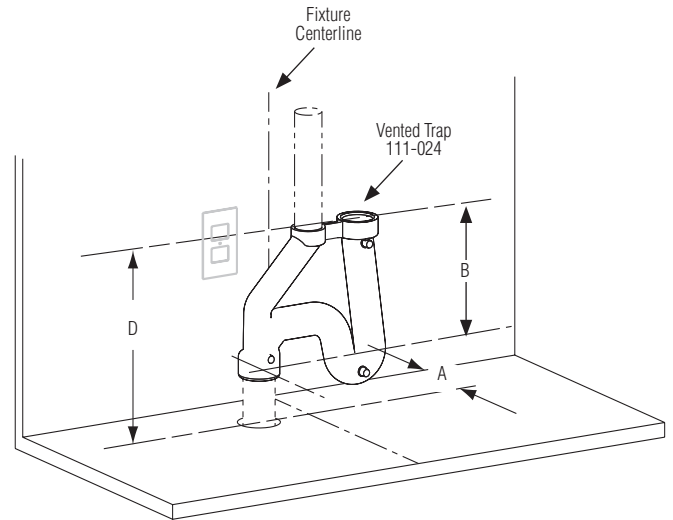
Rough-Ins – Semi-Circular (continued)

(mm)

Types A and O



Types B and H



* Suggested location of 110VAC GFCI electrical outlet. Always check local codes before installing. Outlet may be required to be in a remote location.

| Model | Bowl Size | A (All Types) | B (Types B & H) | C (Types A & O) | | D (Types B & H) | |
|-------------------|------------|---------------|-----------------|---------------------------|--------------------------|-----------------|-----------------|
| | | | | Standard Height | Juvenile Height | Standard Height | Juvenile Height |
| WF2704, WF2708 | 54" (1372) | 8-1/4" (210) | 7" (178) | 6 to 11-5/8" (152 to 295) | 6 to 8-5/8" (152 to 219) | 17" (432) | 13" (330) |
| WF2703, WF2705 | 36" (914) | 7-3/4" (197) | 7" (178) | 6 to 12" (152 to 305) | 6-9" (152 to 229) | 17-3/8" (441) | 13-3/8" (340) |



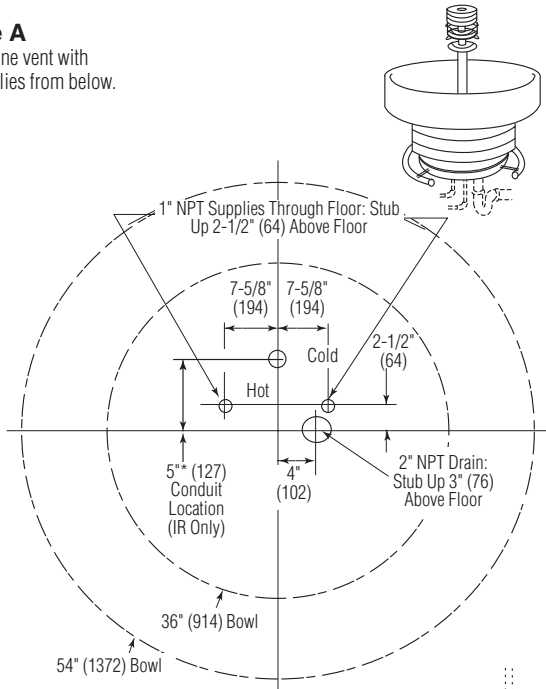
WF2703, WF2704, WF2705, WF2708 Stainless Steel Classic Washfountains

(mm)

Rough-Ins – Circular

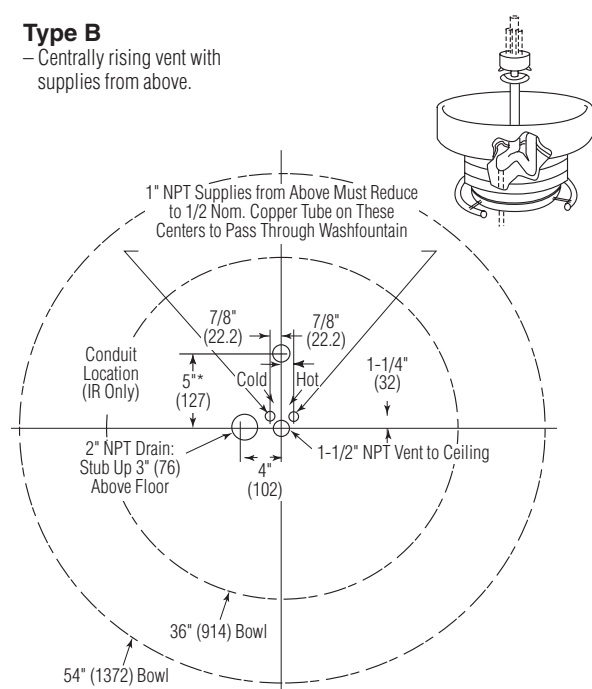
Type A

– Off-line vent with supplies from below.



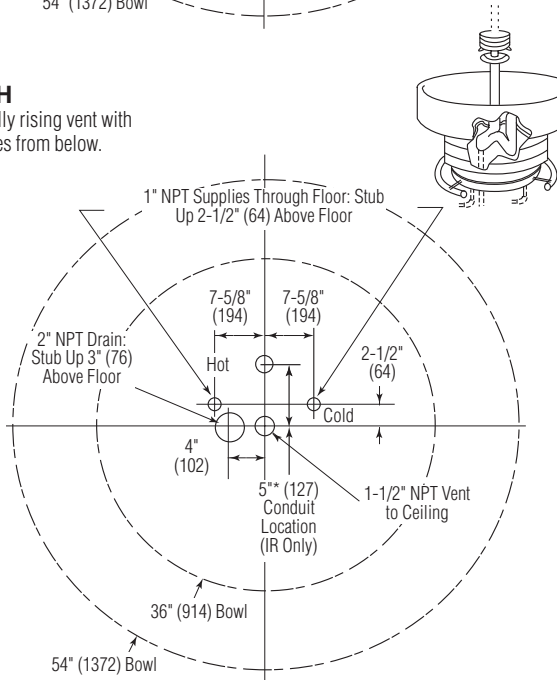
Type B

– Centrally rising vent with supplies from above.



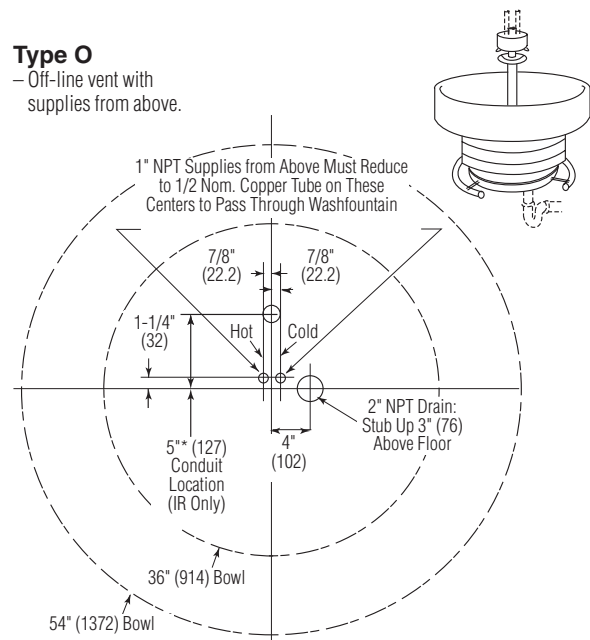
Type H

– Centrally rising vent with supplies from below.



Type O

– Off-line vent with supplies from above.



* Remote mounting of transformer with 24 VAC electrical supply to washfountain is recommended. See local electrical codes before roughing in. (This conduit location is only a recommendation.)