

- cUPC Certified
- Pre-Assembled Bowl and Pedestal
- Available in 54" or 36" Diameter Semi-Circular or Circular Bowls
- 9" Deep Bowl, Designed for Heavy Duty Hand Washing
- Foot, Air Metering, Infrared or TouchTime® Control

Specifications

Size and Capacity

Semi-circular models accommodate up to 3 users (36" models) or 4 users (54" models) at a time. Circular models accommodate up to 5 users (36" models) or 8 users (54" models) at a time. All models utilize less water, energy and space than lavatories equipped with conventional faucets. The washfountain bowls, pedestals and valve sets are completely assembled. Only the support column and connections to the valve set and drain require assembly. The operating range is 20-80 PSI. Flow rate controlled by volume control valve. Approximate flow-rates for each model:

- 36" semi-circular: 1.25 GPM
- 54" semi-circular: 3 GPM
- 36" circular: 2 GPM
- 54" circular: 5 GPM

Construction

Terreon® Bowl Materials

Constructed of Terreon®, a densified solid surface material composed of polyester resin. Terreon® is resistant to chemicals, stains, burns and impact. Surface damage can be easily repaired with everyday cleansers or fine grit abrasives.

Pedestals: Constructed of die-formed legs, upper braces, scuff bases and panels: legs are zinc chromate plated 14 gauge steel; upper braces are 16 gauge galvanized steel; and scuff bases are 300 series stainless steel with a #4 finish.

Standard Equipment

Valves and Fittings

In addition to the bowl and pedestal assembly, the following valves and fittings are standard: sprayhead with stainless steel support tube and bowl gasket; spud with domed strainer; sprayhead supply line; manual mixing valve; volume control valve; and (2) stop, strainer and check valves.

Activation Controls

Foot Control

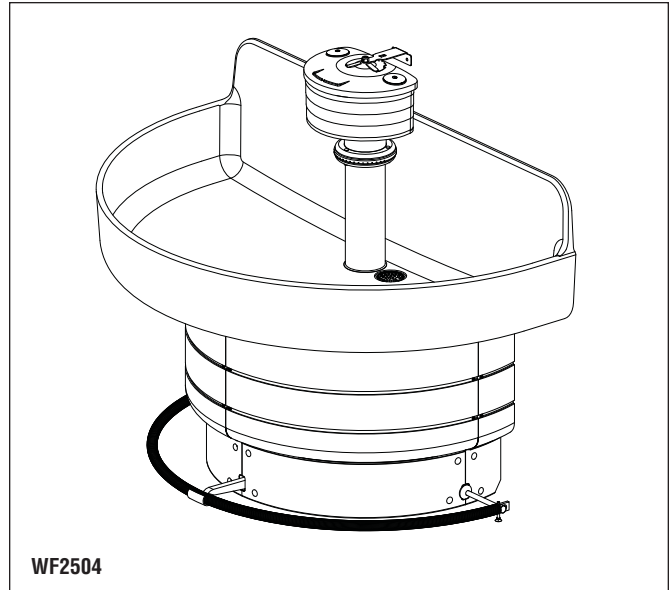
Each press of the foot rail mechanically actuates a hold-open valve, with slow closing upon release of foot pressure.

Air Valve Hand Control

Each push button pneumatically actuates a non-hold-open, air metering, single-temperature valve with field adjustable timing from 0–45 seconds. Factory preset at 10 seconds. Each push button activates a flow of tempered water from the non-sectional sprayhead. Push button requires less than five pounds of pressure.

Electronic Infrared Control

Hands placed within the bowl are detected by an infrared sensor module which activates a flow of tempered water from the non-sectional sprayhead. Shut-off is automatic after hands are removed from the detection area.



The infrared sensor uses a conical-shaped transmitting beam, having a detection area adapted to, but not exceeding, the bowl perimeter. The adaptive infrared sensor automatically adapts to the bowl after power is turned on. The infrared sensor is not affected by varying color tones or darkness. Direct sunlight or bright washroom lights will not activate the system. Infrared models also include solenoid valves and a low-voltage transformer as standard equipment:

- Solenoid – 24V, 50/60 Hz, 3/4" NPT. Few moving parts, and resistant to most chemicals, minerals, and impurities often present in municipal water supplies.
- Low-Voltage Transformer – Class II UL/CSA listed, 110/24 VAC plug-in transformer. Plugs into a standard GFCI protected electrical outlet. Location of transformer per local electrical code.

TouchTime® Hand Control

Each low-voltage button actuates a non-hold-open, slow-closing anti-hammer solenoid valve that is timed from an electronic potted assembly. Each push button activates a flow of tempered water from the non-sectional sprayhead. TouchTime® controls water flow through the use of solid state, digital circuitry. Timing is electronically controlled at 15 seconds. Push button requires less than five pounds of pressure.

Code Compliance and Certifications

cUPC Approval

Pre-Assembled Classic Washfountains are Uniform Plumbing Code (UPC), International Plumbing Code (IPC) and National Plumbing Code of Canada (NPC) approved through the International Association of Plumbing and Mechanical Officials (IAPMO). Manufactured in compliance with IGC 156-2009, CSA B45 Series-2002 (R08) & ASME A112.18.1-2005/CSA B125.1-2005.

ANSI Standards

Terreon® is NAHB certified to meet ANSI Z124.3, Z124.6 and ANSI/ICPA SS-1-2001.

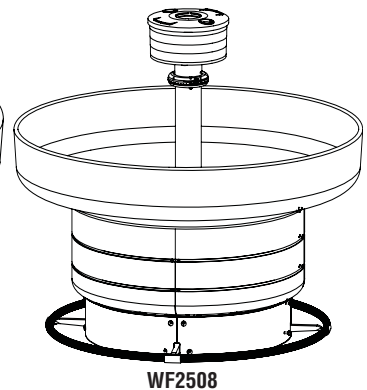
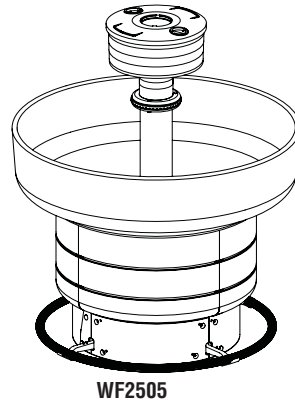
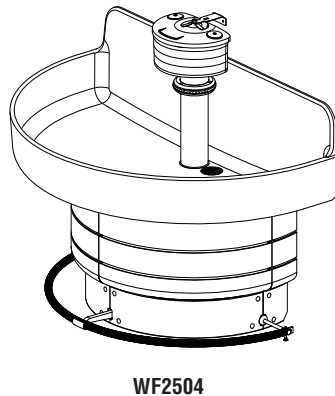
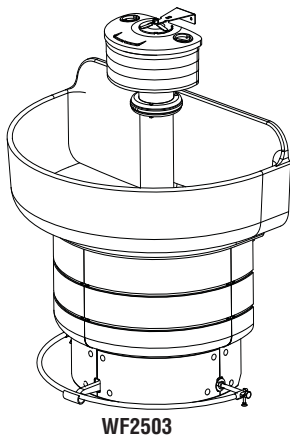


Models (Must select one)			
Model	Size	Users	Material
<input type="checkbox"/> WF2503	36" Semi-Circular	3	Terreon®
<input type="checkbox"/> WF2504	54" Semi-Circular	4	Terreon®
<input type="checkbox"/> WF2505	36" Circular	5	Terreon®
<input type="checkbox"/> WF2508	54" Circular	8	Terreon®

Standard Selections (Must select one from each category)	
Drain Type (select one)	
<input type="checkbox"/> A	Off-line vent with supplies from below
<input type="checkbox"/> B	Centrally rising vent with supplies from above
<input type="checkbox"/> H	Centrally rising vent with supplies from below
<input type="checkbox"/> O	Off-line vent with supplies from above
Pedestal Height (select one)	
<input type="checkbox"/> STD	Standard Height
<input type="checkbox"/> JUV	Juvenile Height
Controls (select one)	
<input type="checkbox"/> F	Foot Control Valve
<input type="checkbox"/> IR	Infrared Activation
<input type="checkbox"/> TT	TouchTime® Metering
<input type="checkbox"/> AST	Air Valve Metering
Mixing Valve (select one)	
<input type="checkbox"/> MMV	Manual Mixing Valve
Soap Dispenser (select one)	
<input type="checkbox"/> PSD	Powdered Soap Dispenser
<input type="checkbox"/> LSD	Liquid Soap Dispenser
<input type="checkbox"/> NSD	No Soap Dispenser
Terreon® Bowl Color (select one)	
<input type="checkbox"/> SS-GRAY	Soapstone Gray
<input type="checkbox"/> CA-TAN	Canyon Tan

Optional Selections	
Thermostatic Mixing Valve	
<input type="checkbox"/> TMA	Thermostatic Mixing Valve (in lieu of manual mixing valve)
Metal Soap Dispenser	
<input type="checkbox"/> MLSD	Metal-Clad Liquid Soap Disp.
<input type="checkbox"/> MPSD	Metal-Clad Powdered Soap Disp.
1-1/2" Tie Pipe Assembly	
<input type="checkbox"/> TA	Reinforces Support Tube
Shroud	
<input type="checkbox"/> SH	Stainless Steel Shroud (Conceals Overhead Piping)
Hose Bibb	
<input type="checkbox"/> HB	Hose Bibb*
Paper Towel Dispensers	
<input type="checkbox"/> CTD (2)	C-Fold, Multi-Fold Dispenser
<input type="checkbox"/> STD (2)	Single-Fold Dispenser
*Non-cancelable, not-returnable	

Semi-Circular Terreon® WF2503 and WF2504, Circular Terreon® WF2505 and WF2508

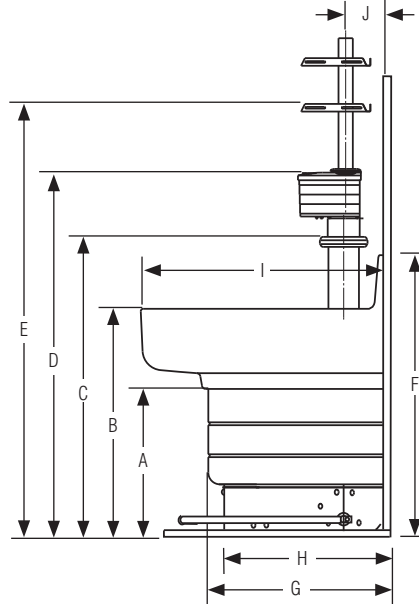


Dimensional Information

(mm)



Add 3-1/2" to Dimensions D & E for Optional TouchTime® (TT), Infrared Sensor (IR) or Air Wave (AST)



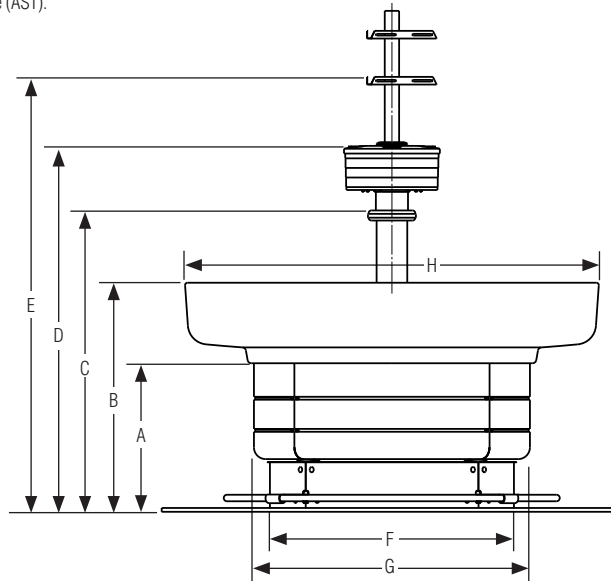
Semi-Circular

Model	Size	A*	B*	C*	D* **	E* **	F	G	H	I	J
2504	54 (1372)	19 (483)	29-1/2 (749)	38-3/4 (984)	47-1/4 (1200)	55-3/4 (1416)	36-1/2 (927)	23-1/2 (597)	21-1/4 (540)	32-1/4 (819)	5-1/4 (133)
2503	36 (914)	19 (483)	29-1/2 (749)	35-1/4 (895)	43-1/4 (1099)	52-1/4 (1327)	33-3/8 (848)	17-1/4 (438)	15-1/4 (387)	22-3/4 (578)	4-3/4 (121)

* Juvenile Height: Subtract 4" (102) from dimensions A through E for juvenile height.
** Add 3-1/2" (89) for optional TouchTime® (TT), infrared sensor (IR) or air valve (AST).



Add 3-1/2" to Dimensions D & E for Optional TouchTime® (TT), Infrared Sensor (IR) or Air Valve (AST)



Circular

Model	Size	A*	B*	C*	D* **	E* **	F*	G	H
2504	54 (1372)	19 (483)	29-1/2 (749)	38-3/4 (984)	47-1/4 (1200)	55-3/4 (1416)	32 (813)	36 (914)	54 (1372)
2503	36 (914)	19 (483)	29-1/2 (749)	35-1/4 (895)	43-1/4 (1099)	52-1/4 (1327)	21 (533)	25 (635)	36 (914)

* Juvenile Height: Subtract 4" (102) from dimensions A through E for juvenile height.
** Add 3-1/2" (89) for optional TouchTime® (TT), infrared sensor (IR) or air valve (AST).

Rough-In Notes

(mm)

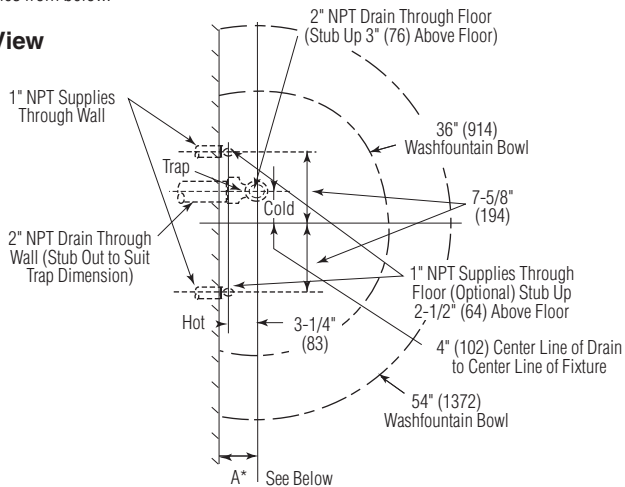
1. All pipes and fittings not furnished by Bradley are shown in broken lines.
2. Supply lines for one to two washfountains should be 1"; for three washfountains 1-1/4"; for more than three washfountains, pipe sizes should be increased proportionately.
3. Overhead supplies must be reduced to 1/2" copper tube to pass through support tube.
4. Check valve inlets are 1/2" NPT.
5. Drain Types B and H: For maximum rigidity of sprayhead/support tube assembly, use 1-1/2" NPT galvanized pipe for vent. Use of plastic or copper for vent is not recommended.

Rough-Ins – Semi-Circular

Type A

– Off-line vent with supplies from below.

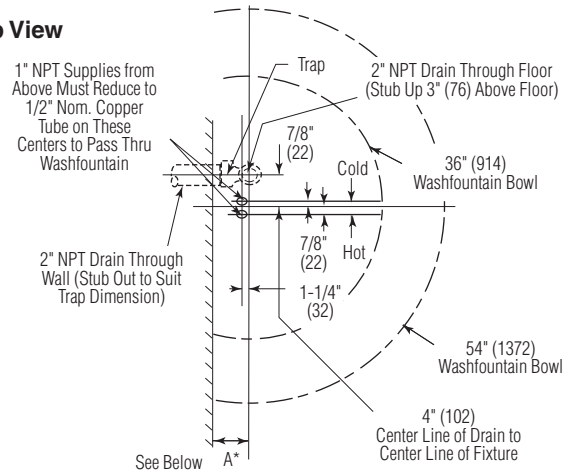
Top View



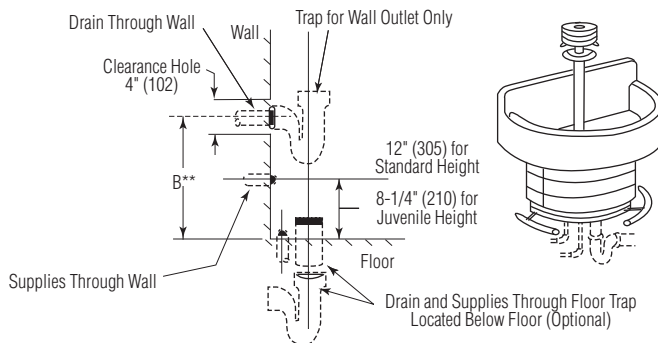
Type O

– Off-line vent with supplies from above.

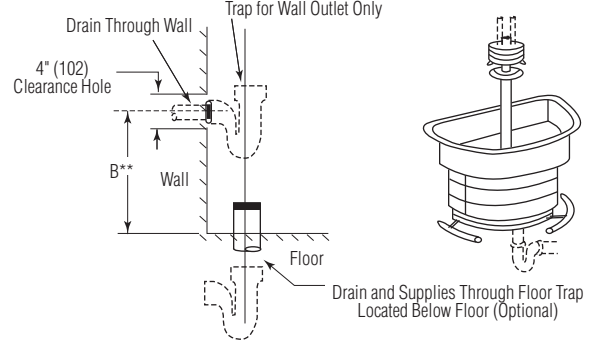
Top View



Side View



Side View



Installing Traps

When installing trap with a coupling and nipple, see dimension D in the chart below. If trap is installed tight to bottom of bowl, dimension D depends on design of trap.

Model	Bowl Size	A*	B** (Standard Height)	B** (Juvenile Height)
2504	54" (1372)	5-1/4" (133)	6 to 13-1/4" (152 to 337)	6 to 10-1/4" (152 to 260)
2503	36" (914)	4-3/4" (121)	6 to 13-1/4" (152 to 337)	6 to 10-1/4" (152 to 260)

- * Wall to centerline of trap
- ** Centerline of drain to floor

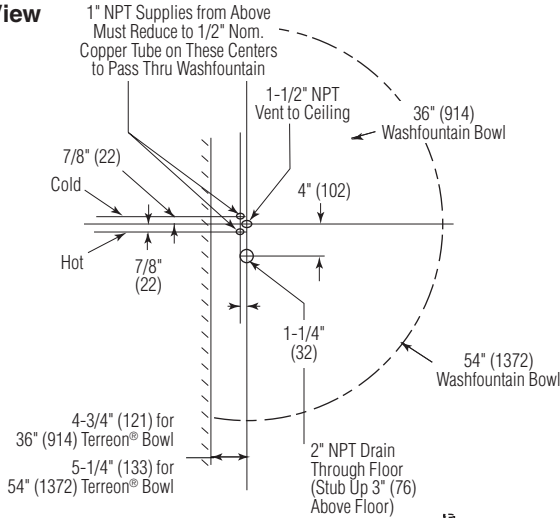
Rough-Ins – Semi-Circular (continued)

(mm)

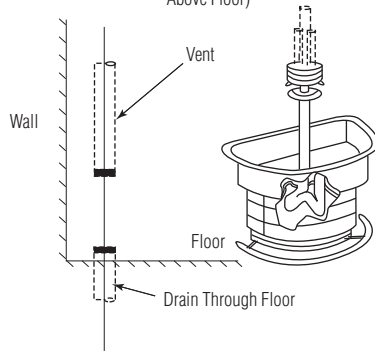
Type B

– Centrally rising vent with supplies from above.

Top View



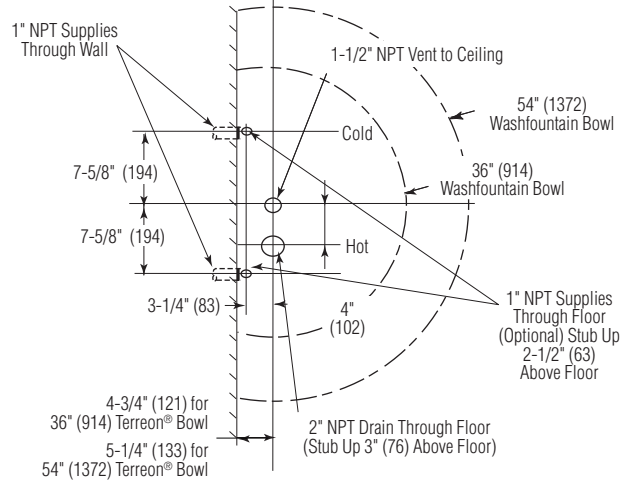
Side View



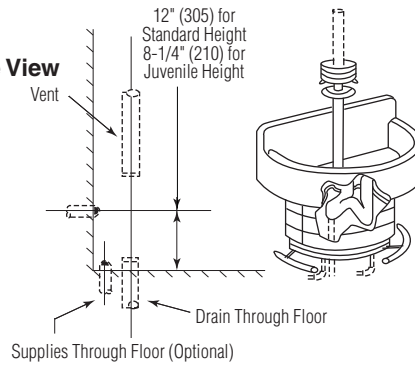
Type H

– Centrally rising vent with supplies from below.

Top View



Side View

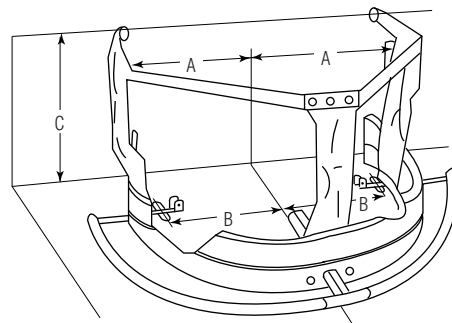


Dimensions – Pedestal Anchoring

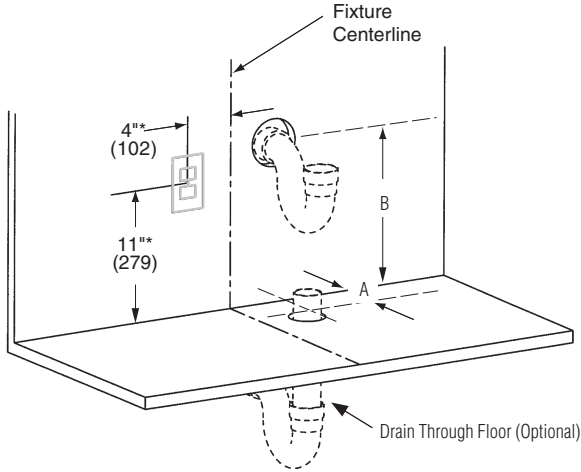
Model	Bowl Size	Standard Height			Juvenile Height		
		A	B	C	A	B	C
2504	54" (1372)	16-1/2" (419)	14" (356)	18-1/4" (464)	16-1/2" (419)	14" (356)	14-1/4" (362)
2503	36" (914)	11" (279)	8-5/8" (219)	18-1/4" (464)	11" (279)	8-5/8" (219)	14-1/4" (362)

Anchoring Pedestals

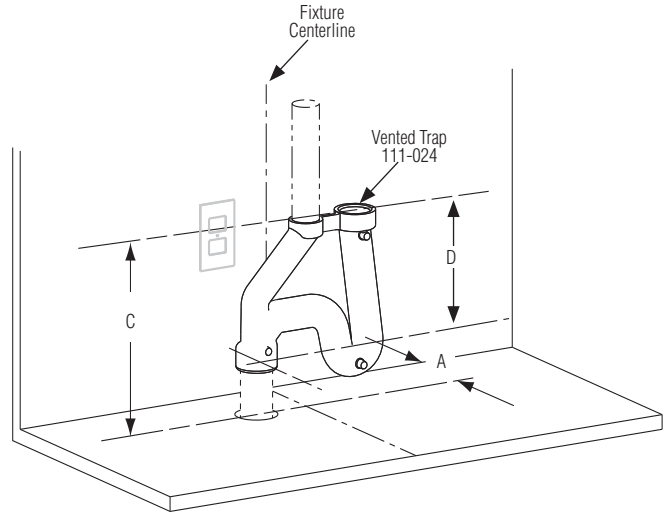
1. Place pedestal assembly as shown.
2. Anchor pedestal assembly to floor and wall with suitable wall fasteners. Backing may be required in some types of wall construction.



Types A and O



Types B and H



* Suggested location of 110VAC GFCI electrical outlet. Always check local codes before installing. Outlet may be required to be in a remote location.

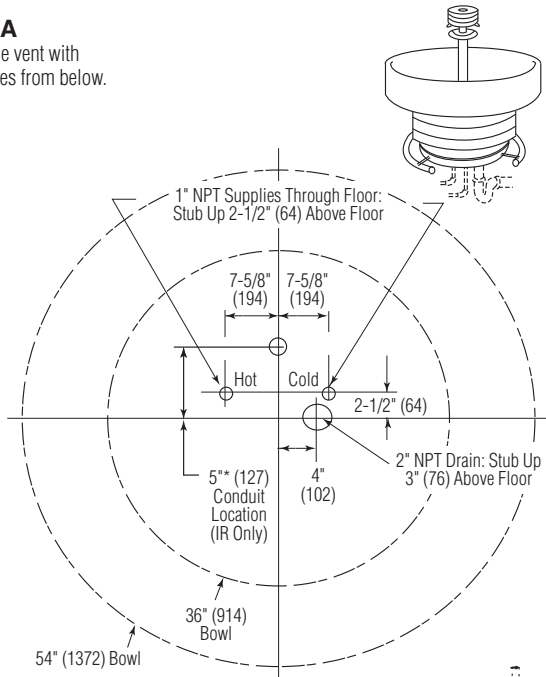
A (All Types)	B (Types B & H)	C (Types A & O)		D (Types B & H)	
		Standard Height	Juvenile Height	Standard Height	Juvenile Height
4-3/4" (121)	7" (178)	6 to 13-1/4" (152 to 337)	6 to 10-1/4" (152 to 260)	18-5/8" (473)	14-5/8" (371)

Rough-Ins – Circular

(mm)

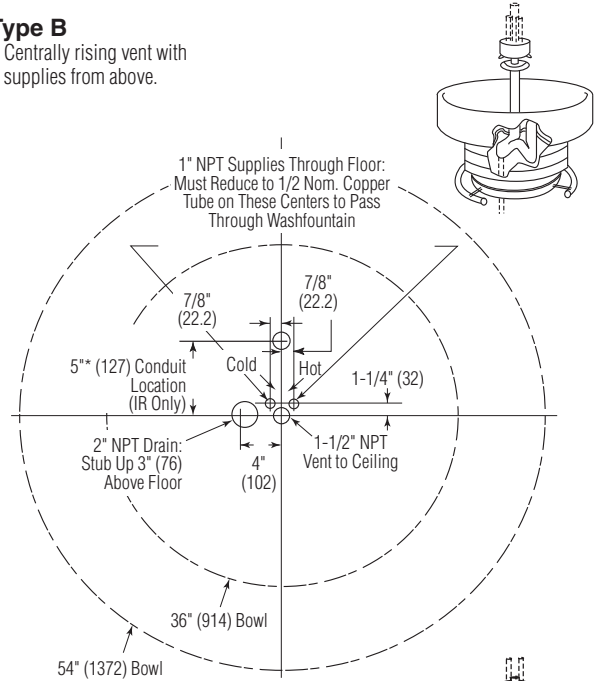
Type A

– Off-line vent with supplies from below.



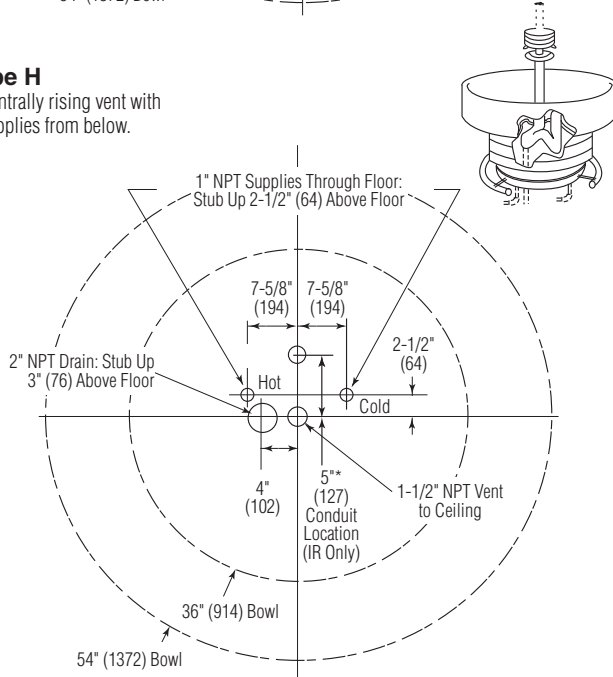
Type B

– Centrally rising vent with supplies from above.



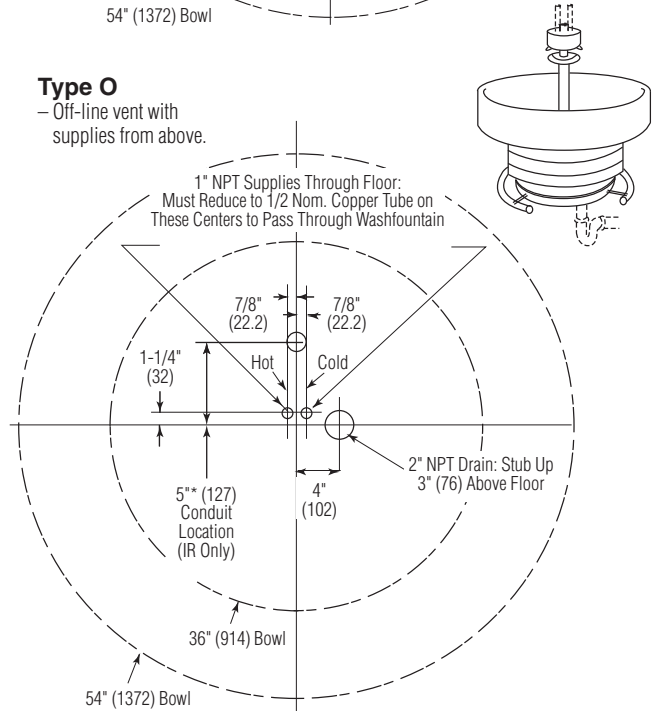
Type H

– Centrally rising vent with supplies from below.



Type O

– Off-line vent with supplies from above.



* Remote mounting of transformer with 24 VAC electrical supply to washfountain is recommended. See local electrical codes before roughing in. (This conduit location is only a recommendation.)