

- cUPC Certified
- ADA Compliant
- Suitable for Heavy-Duty Hand Washing
- Reliable Infrared Air Metering or TouchTime® Control
- Vandal Resistant - Easy to Clean
- Three Different Heights (Including Juvenile and Intermediate Heights)
- Available in a 54" Bowl Size

Specifications

Size and Capacity

Accommodates up to four users at a time, using less water, energy and space than two lavs equipped with conventional faucets. The non-sectional sprayhead is controlled by an infrared sensor-actuated solenoid valve. Operating range is 20-80 PSI with a flow rate of 2.5 GPM when properly adjusted.

Construction

Bowl Materials

Constructed of Terreon®, a densified solid surface material composed of polyester resin, or Terreon®RE, a densified solid surface material composed of a bio-based resin and preconsumer recycled granules. Terreon and TerreonRE are resistant to chemicals, stains, burns and impact. Surface damage can be easily repaired with everyday cleansers or fine grit abrasives. Terreon and TerreonRE are NAHB certified to meet ANSI Z124.3, Z124.6 and ANSI/ICPA SS-1-2001. Terreon and TerreonRE are GREENGUARD® certified as low-emitting materials.

Pedestal

Tapered pedestal is fabricated from a reinforced, gel-coated fiberglass. The pedestal incorporates a large access panel, for ease of installation and maintenance, and a 6" stainless steel kick plate to prevent damage.

Vandal Resistance

The infrared sensors and lenses or push buttons are secured to the unit from inside a heavy-gauge stainless steel module to prevent tampering. If a vandal attempts to trigger constant operation by covering the sensor or placing a stationary object in the sensor's detection area, the adaptive infrared sensor will automatically shut off the water flow after 30 seconds. All valves, water supplies and waste connections are concealed inside the pedestal. The Terreon and TerreonRE bowls are resistant to stains, burns and impact; surface damage is easily repaired and repair work is virtually undetectable.

Standard Equipment

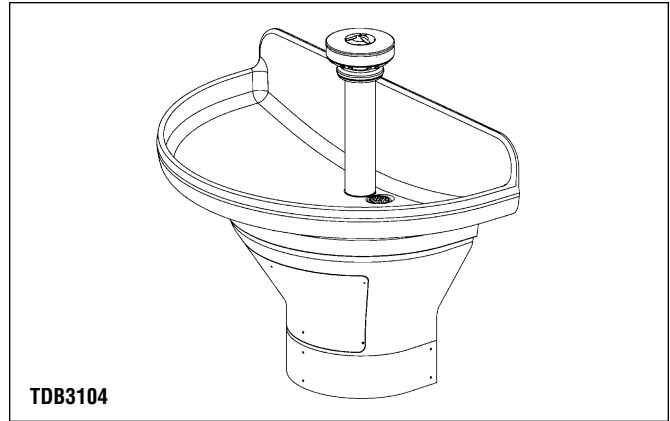
Valves and Fittings

In addition to the bowl and pedestal, the following valves and fittings are standard: sprayhead with stainless steel support tube and bowl gasket; spud with strainer; sprayhead supply tubing; Navigator® thermostatic mixing valve; flexible stainless steel supply hoses; stops; and volume control valve.

Activation Controls

Infrared Control

Each of the stream formers is controlled by a separate solenoid valve. Hands placed within the bowl are detected by an infrared sensor module which activates a flow of tempered water from one station. Shut-off is automatic after hands are removed from the detection area. The infrared sensor uses a conical-shaped transmitting beam, having a detection area adapted to, but not exceeding, the bowl perimeter. The detection area projects forward 15° to each side and 15° below. The adaptive infrared sensor automatically adapts to the bowl after power is turned on. The infrared sensor is not affected by varying color tones or darkness.


TDB3104

Direct sunlight or bright washroom lights will not activate the system. Infrared models also include solenoid valves and a low-voltage transformer as standard equipment:

- Solenoid – 24V, 50/60 Hz, 5/16" tube fitting. Few moving parts, and resistant to most chemicals, minerals, and impurities often present in municipal water supplies.
- Low-Voltage Transformer – Class II UL/CSA listed, 110/24 VAC plug-in transformer. Plugs into a standard GFCI protected electrical outlet. Location of transformer per local electrical code.

Air Valve Hand Control

Each push button pneumatically actuates a non-hold-open, air metering, single-temperature valve with field adjustable timing from 0–45 seconds. Factory preset at 10 seconds. Each push button activates a flow of tempered water from the non-sectional sprayhead. Push button requires less than five pounds of pressure.

TouchTime Hand Control

Each low-voltage button actuates a non-hold-open, slow-closing anti-hammer solenoid valve that is timed from an electronic potted assembly. Each push button activates a flow of tempered water from the non-sectional sprayhead. TouchTime controls water flow at each station through the use of solid state, digital circuitry. Timing is electronically controlled at 15 seconds. Push button requires less than five pounds of pressure.

Code Compliance and Certifications

ANSI Standards

Terreon and TerreonRE are certified by NAHB to meet ANSI Z124.3, Z124.6 and ANSI/ICPA SS-1-2001.

cUPC Certified

The Terreon and TerreonRE Deep Bowl Washfountains are Uniform Plumbing Code (cUPC) certified through the International Association of Plumbing and Mechanical Officials (IAPMO).

Standard product selections contained within this document are third party **CERTIFIED** to NSF/ANSI 372 meeting the Lead-Free content requirement. Any product configured with custom options will be **COMPLIANT** with NSF/ANSI 372 meeting the Lead-Free content requirement.



Barrier-Free (ADA Compliant)

The standard height 54" Terreon and TerreonRE Deep Bowl washfountains, equipped with infrared control, comply with all ADA and TAS guidelines on reaches, clearances and operations.

Optional equipment may not comply with all ADA dimensional guidelines.

Juvenile Height

The TDB3104 with juvenile height and infrared options selected meets the ADA guidelines for Juvenile height. It also meets the Texas accessibility standard for Juvenile Lavatories in 30" rim height. The product complies with accessibility codes when installed in accordance with manufactures instructions.

Standard Selections (Must select one from each category)	
Pedestal Height (select one)	
<input type="checkbox"/> STD	Standard Height 34" Rim
<input type="checkbox"/> JUV	Juvenile Height 30" Rim
<input type="checkbox"/> TAS	Intermediate Height 32" Rim
Drain Type (select one)	
<input type="checkbox"/> O	Off-line vent with supplies from above
<input type="checkbox"/> B	Centrally rising vent with supplies from above
<input type="checkbox"/> A	Off-line vent with supplies from below
<input type="checkbox"/> H	Centrally rising vent with supplies from below
Controls (select one)	
<input type="checkbox"/> IR	Adaptive Infrared Activation
<input type="checkbox"/> TT	Touchtime® Control
<input type="checkbox"/> AST4	Air Valve Hand Control
Mixing Valve (select one)	
<input type="checkbox"/> TL	Tempered Line
<input type="checkbox"/> TMA	Thermostatic Mixing Valve
Soap Dispenser (select one)	
<input type="checkbox"/> LSD*	Liquid Soap Dispenser
<input type="checkbox"/> PSD*	Powdered Soap Dispenser
<input type="checkbox"/> MLSD*	Metal-Clad Liquid Soap Dispenser
<input type="checkbox"/> MPSD*	Metal-Clad Powdered Soap Dispenser
<input type="checkbox"/> NSD	No Soap Dispenser
Color of Terreon Bowl (select one)	
<i>Standard Colors</i>	
<input type="checkbox"/> ALP-WHT	Alpine White
<input type="checkbox"/> AVALANCHE†	Avalanche
<input type="checkbox"/> BONE	Mesa Bone
<input type="checkbox"/> CHAR‡	Charcoal Gray
<input type="checkbox"/> COBBLE	Cobblestone
<input type="checkbox"/> DRIFT†	Driftwood
<input type="checkbox"/> DS-WHT	Designer White
<input type="checkbox"/> DUNE†	Sand Dune
<input type="checkbox"/> E-GRAY	Empire Gray
<input type="checkbox"/> GLACIER	Glacier
<input type="checkbox"/> GRAPH‡	Graphite
<input type="checkbox"/> LANNON	Lannonstone
<input type="checkbox"/> LONDON	London Gray
<input type="checkbox"/> MOONSTONE†	Moonstone
<input type="checkbox"/> O-TAUPE	Organic Taupe
<input type="checkbox"/> PEBBLE	Pebble Beach
<input type="checkbox"/> PEP-WHT	Peppered White
<input type="checkbox"/> POLAR†	Polar Ice
<input type="checkbox"/> SAND	Sandtrap
<input type="checkbox"/> S-CREEK	Stone Creek
<input type="checkbox"/> S-MIST	Silver Mist
<input type="checkbox"/> WHT-SAND	White Sand
<i>Designer Colors** (available at an additional charge)</i>	
<input type="checkbox"/> ARC-CHIP	Arctic Chip
<input type="checkbox"/> COFFEE	Coffee Bean
<input type="checkbox"/> RIVER	Riverstone
<i>TerreonRE Colors** (available at an additional charge)</i>	
<input type="checkbox"/> BIRCH-BARK	Birch Bark
<input type="checkbox"/> DUSK	Dusk
<input type="checkbox"/> MOONDUST	Moondust
<input type="checkbox"/> OAT	Oat

Optional Selections	
Stainless Steel Shroud	
<input type="checkbox"/> SH	Stainless Steel Shroud (Conceals overhead plumbing)
1-1/2" Tie Pipe Assembly	
<input type="checkbox"/> TA	Reinforces Support Tube
Cube Adapter	
<input type="checkbox"/> SA	For Individual Soap Dispenser (dispensers not included)
Paper Towel Dispensers	
<input type="checkbox"/> CTD	(2) C-Folds, Multi-Fold Dispenser
<input type="checkbox"/> SFTD	(2) Single-Fold Dispenser

* Optional equipment may not comply with all ADA guidelines

**Non-cancellable, non-returnable.

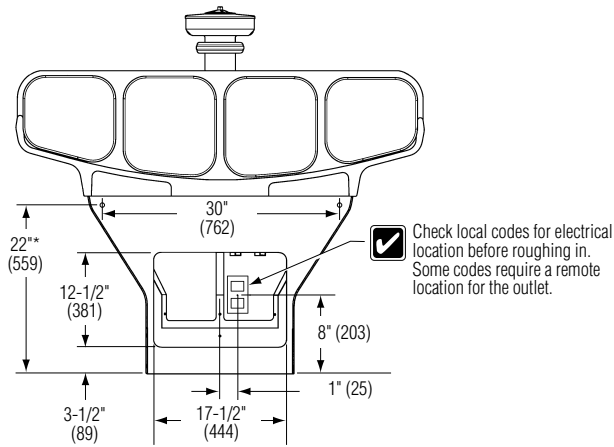
†This color contains large, randomly distributed chips.

‡Requires tempered (less than 110°F) or optional TMA

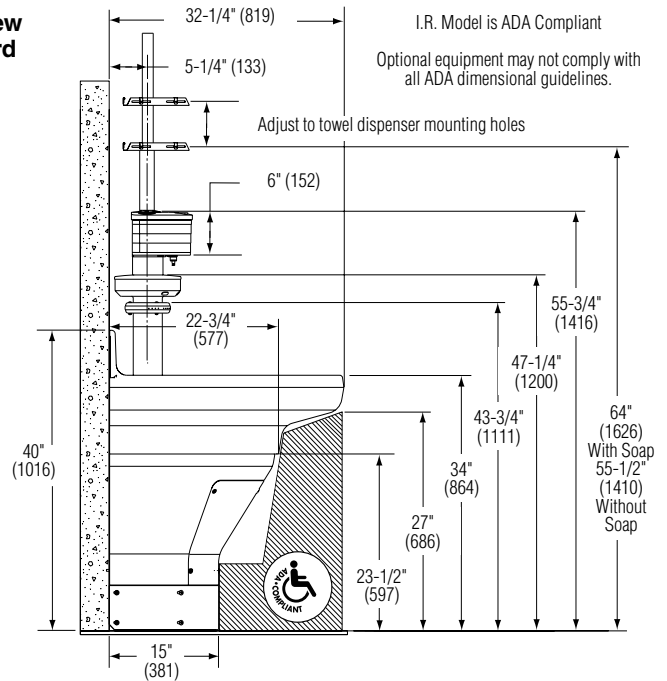
Dimensions - Standard and Juvenile Height

(mm)

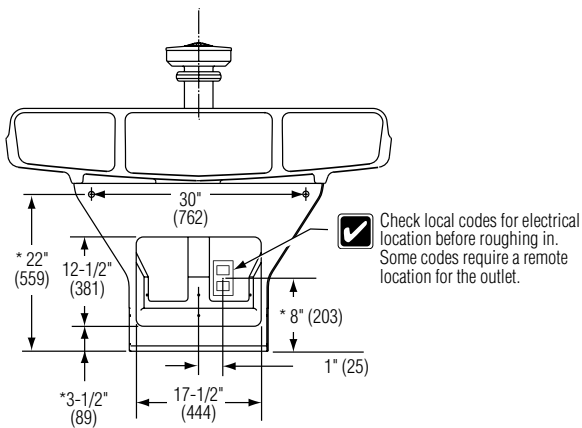
Rear View Standard Height



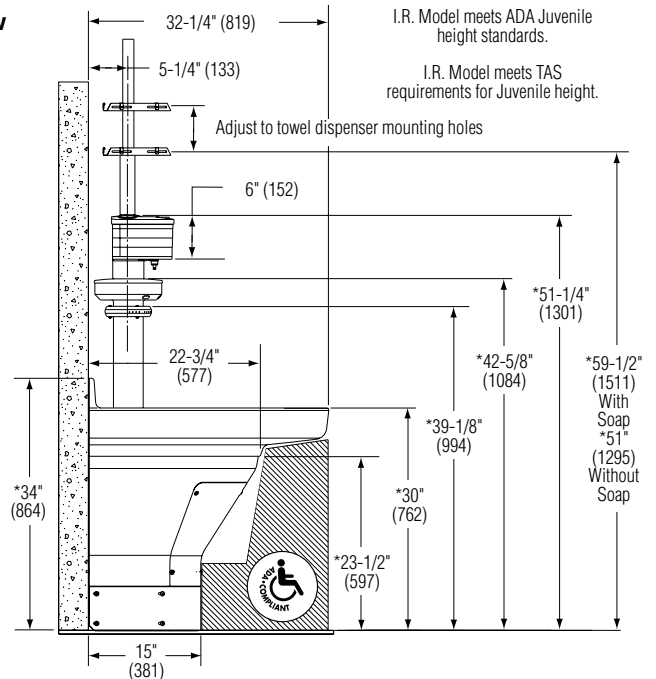
Side View Standard Height



Rear View Juvenile Height



Side View Juvenile Height



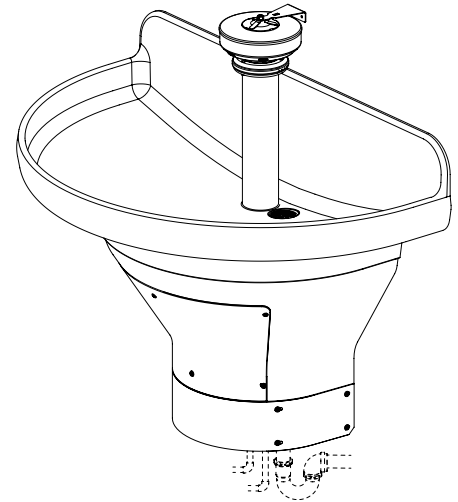
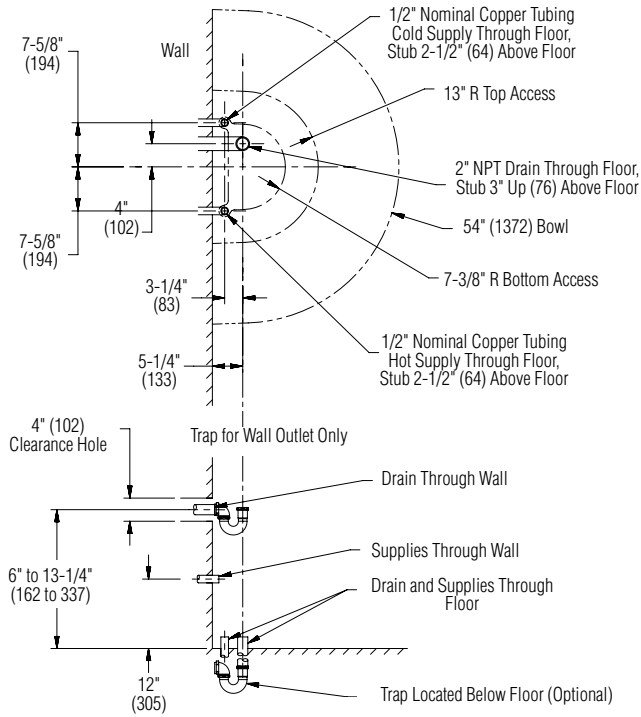
* Add 2" (51) for TAS height unit

(mm)

Rough-Ins

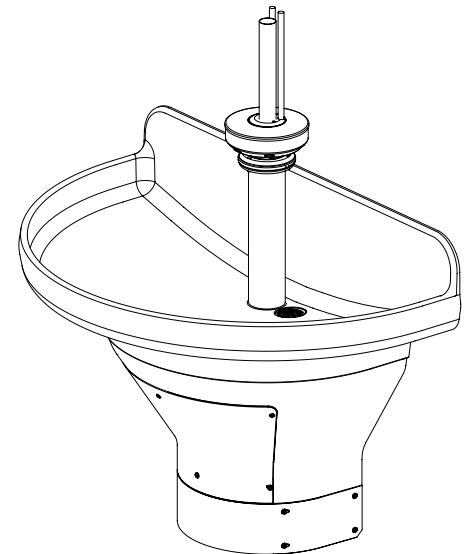
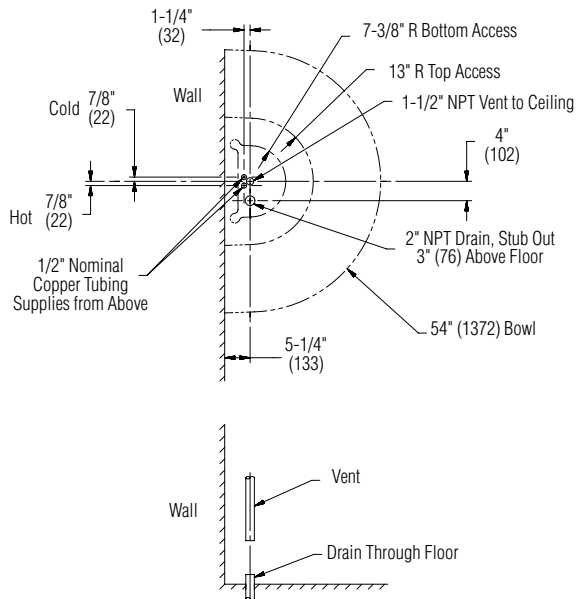
Type A Drain

- Supplies from below or through wall
- Vented from below or through wall off-drain



Type B Drain

- Supplies from above
- Vented through ceiling off trap inside pedestal



Rough-In Notes

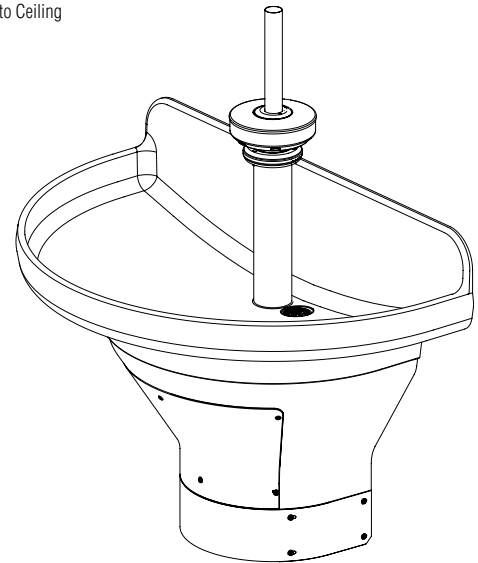
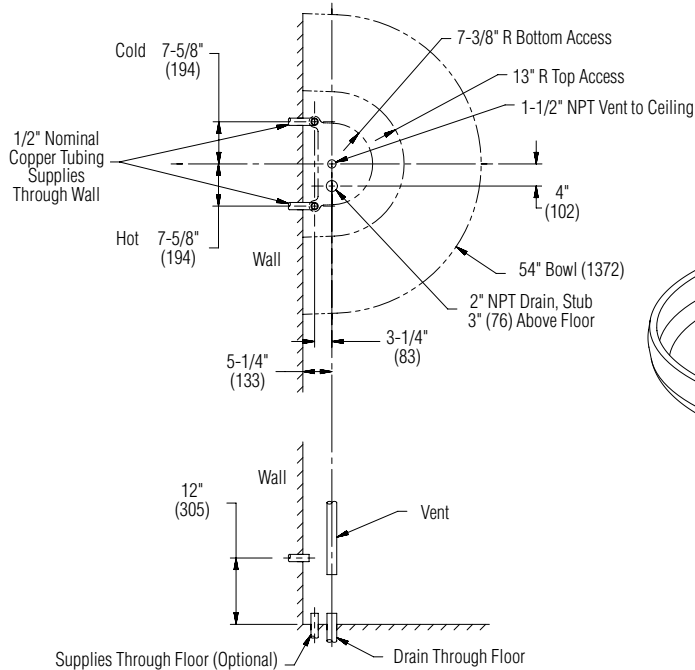
1. All pipes and fittings not furnished by Bradley are shown in broken lines.

(mm)

Rough-Ins

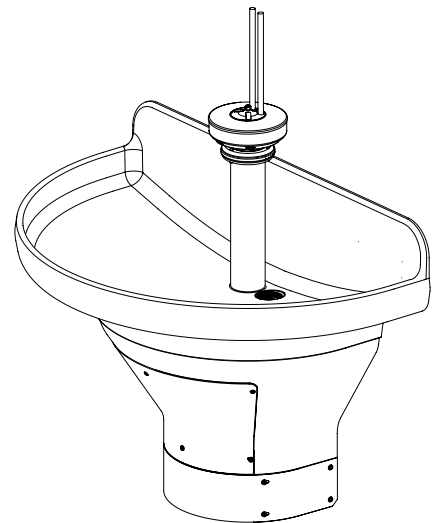
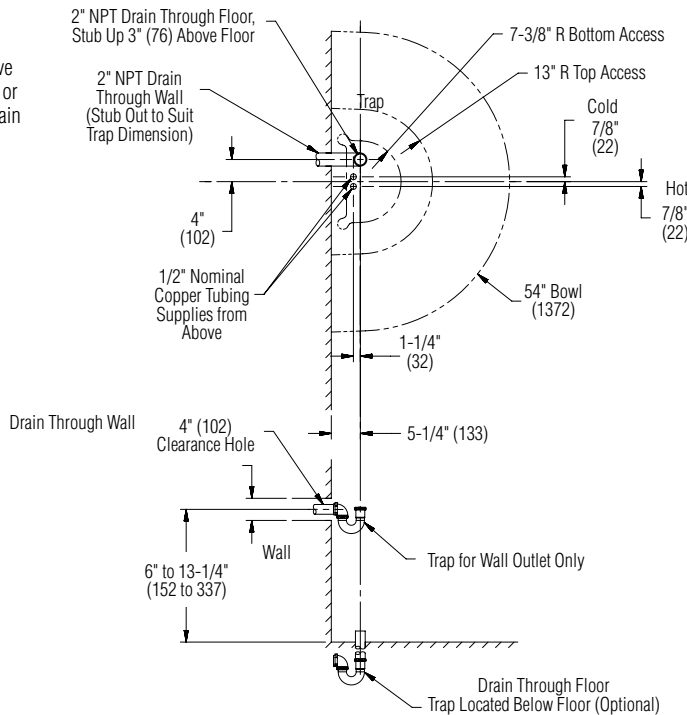
Type H Drain

- Supplies from below or through wall
- Vented through ceiling off trap inside pedestal



Type O Drain

- Supplies from above
- Vented from below or through wall off-drain



Rough-In Notes

1. All pipes and fittings not furnished by Bradley are shown in broken lines.