



SN2003, SN2023, SN2004, SN2024 Sentry™ Semi-Circular Shallow Bowl Washfountain

- cUPC Certified
- Reliable Push Button Activated Air Metering, Infrared, or TouchTime™ Control
- Available in a 54" or 36" Bowl Size – Wall-Mounted or Floor-Mounted
- Standard Height Models and Juvenile Height 54" Models with Air Valve Hand, Infrared or TouchTime™ Control are ADA/TAS Compliant
- Factory Tested and Shipped Pre-assembled
- Vandal Resistant and Easy to Clean

Specifications

Size and Capacity

Accommodates 3 users (36" models) or 4 users (54" models) at a time, using less water, energy and space than lavs equipped with conventional faucets. The sectional sprayhead module is controlled by a push button, which actuates an air valve (hand or foot control models), or a solenoid valve (TouchTime® models) or by an infrared sensor-actuated solenoid. Flow restrictor keeps flow rate constant at 0.5 GPM per station for all pressures. Operating range is 20-80 PSI.

Construction

Bowl and Pedestal

All exposed materials are type 304 stainless steel polished to a #4 finish. Bowl, pedestal and access panels, frame, foot control housing; support tube; and sprayhead are heavy gauge stainless steel. Exposed fittings are chrome plated.

Vandal Resistance

Bowl and support tube are an integrally welded assembly, with the support tube welded to an extruded flange from bowl. Sprayhead nozzles and push buttons/infrared sensors are secured to unit from inside the sprayhead module. Air valves/solenoid valves are safely concealed inside the washfountain. Access panels are removable. All supply and waste connections are concealed within the pedestal.

Standard Equipment

Valves and Fittings

In addition to the bowl and pedestal, the following valves and fittings are standard: Navigator® thermostatic mixing valve, flexible stainless steel supply hoses and stops. Stops are 1/2" compression female.

Activation Controls

Air Valve Hand Control

Each push button pneumatically actuates a non-hold-open, air metering, single-temperature valve with field adjustable timing from 0–45 seconds. Factory preset at 10 seconds. Each push button activates one valve which, in turn, activates one station. Push button requires less than five pounds of pressure.

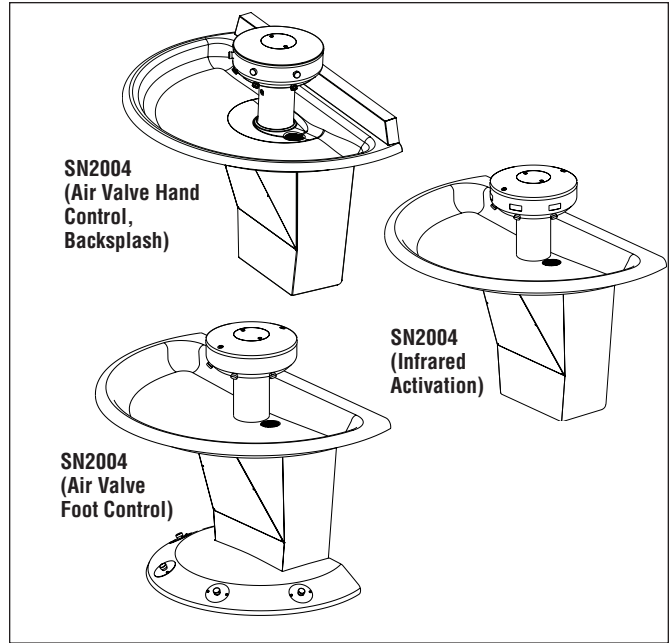
Air Valve Foot Control

Each push button pneumatically actuates a hold-open air single temperature valve with slow closing upon release of foot pressure. Push button requires less than five pounds of pressure.

Infrared Control

Each of the stream formers is controlled by a separate solenoid valve. Hands placed within the bowl are detected by an infrared sensor module, which activates a flow of tempered water from one spray nozzle. Shut-off is automatic after hands are removed from the detection area. The infrared sensor module uses two zone-focused infrared transmitting beams, having a detection area that does not exceed the bowl perimeter. The detection range projects 6–9 inches forward at a 30° angle to each side and reaches 15° below horizontal. The infrared sensor is not affected by varying color tones or darkness. Direct sunlight or bright washroom lights will not activate the system. Infrared models also include solenoid valves and a low voltage transform as standard equipment:

- Solenoid – 24V, 50/60 Hz, 5/16" tube fitting. Few moving parts, and resistant to most chemicals, minerals, and impurities often present in municipal water supplies.
- Low-Voltage Transformer – Class II UL/CSA listed, 110/24 VAC hard-wire transformer designed to mount on a conduit box. Location of transformer per local electrical code.



TouchTime® Hand Control

Each low-voltage button actuates a non-hold-open, slow-closing anti-hammer solenoid valve that is timed from an electronic potted assembly. Each push button activates one valve which, in turn, activates one station. TouchTime® controls water flow at each station through the use of solid state, digital circuitry. Timing is electronically controlled at 15 seconds. Push button requires less than five pounds of pressure.

Code Compliance and Certifications

cUPC Approval

Sentry Washfountains are Uniform Plumbing Code (UPC), International Plumbing Code (IPC) and National Plumbing Code of Canada (NPC) approved through the International Association of Plumbing and Mechanical Officials (IAPMO). Manufactured in compliance with IGC 156-2009, CSA B45 Series-2002 (R08) & ASME A112.18.1-2005/CSA B125.1-2005.

ADA and TAS (Texas Accessibility Standards) Compliant

All floor and wall mounted standard height models and Juvenile Height 54" models, with hand, infrared or TouchTime control, comply with all ADA/TAS guidelines on reaches, clearances and operation.



Standard product selections contained within this document are third party **CERTIFIED** to NSF/ANSI 372 meeting the Lead-Free content requirement. Any product configured with custom options will be **COMPLIANT** with NSF/ANSI 372 meeting the Lead-Free content requirement.





SN2003, SN2023, SN2004, SN2024 Sentry™ Semi-Circular Shallow Bowl Washfountain

Models (Must select one)			
Model	Size	Stations	Description
<input type="checkbox"/> SN2003*	36"	3	Floor-Mounted
<input type="checkbox"/> SN2004*	54"	4	Floor-Mounted
<input type="checkbox"/> SN2023*	36"	3	Wall-Mounted
<input type="checkbox"/> SN2024*	54"	4	Wall-Mounted

Standard Selections (Must select one from each category)			
Drain Type (select one)			
<input type="checkbox"/> A	Off-line vent with supplies from below	<input type="checkbox"/> H	Centrally rising vent with supplies from below
<input type="checkbox"/> B	Centrally rising vent with supplies from above	<input type="checkbox"/> O	Off-line vent with supplies from above
Controls (select one)			
<input type="checkbox"/> AST4	Hand Control Metering Air Valve	<input type="checkbox"/> AST4-F	Foot Control Hold-Open Air Valve** (SN2003 and SN2004 only)
<input type="checkbox"/> IR	Infrared Activation	<input type="checkbox"/> TT	TouchTime†
Pedestal Height (Models SN2003 & SN2004 only) (select one)			
<input type="checkbox"/> STD	Standard Pedestal Height	<input type="checkbox"/> JUV	Juvenile Pedestal Height
Supply Fittings (select one)			
<input type="checkbox"/> TMA	Thermostatic Mixing Valve	<input type="checkbox"/> TL	Tempered Line Supply
<input type="checkbox"/> PBV	Pressure Balance Mixing Valve		
Soap Dispenser (select one)			
<input type="checkbox"/> LSD	Liquid Soap Dispenser	<input type="checkbox"/> NSD	No Soap Dispenser
Backsplash (select one)			
<input type="checkbox"/> BS	Backsplash	<input type="checkbox"/> NBS	No Backsplash

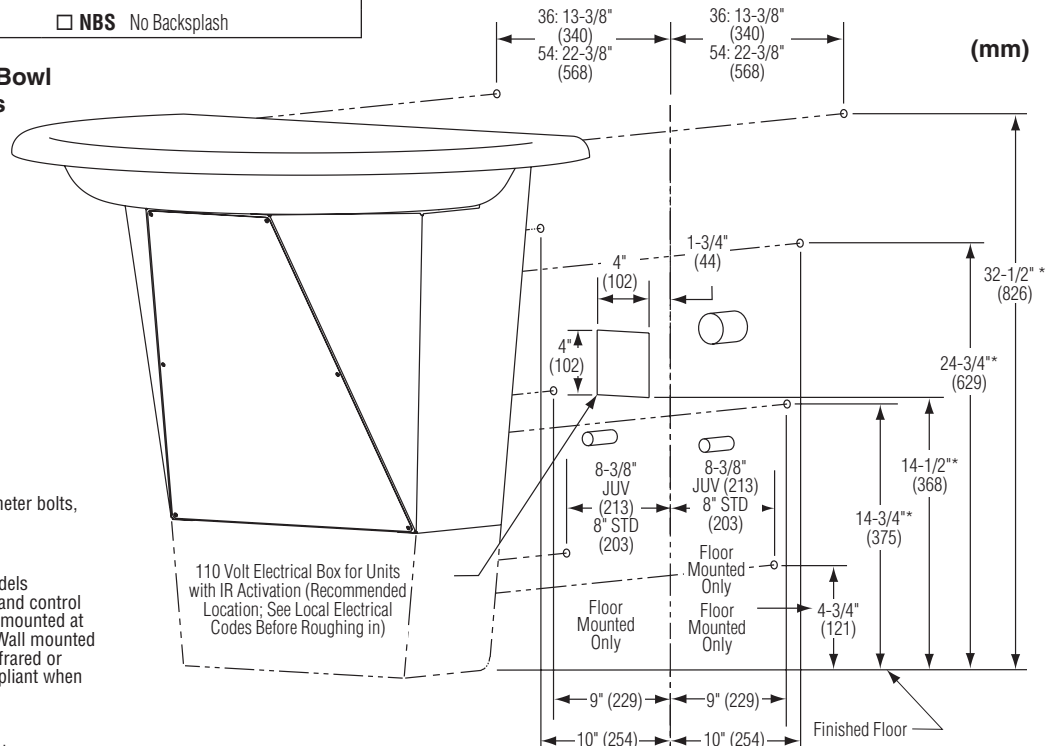
Optional Selections	
Paper Towel Dispensers	
<input type="checkbox"/> CTD (2) C-Fold, Multi-Fold Dispenser	<input type="checkbox"/> SFTD (2) Single-Fold Dispenser
Stainless Steel Shroud (Option available on wall mounted only)	
<input type="checkbox"/> SH	Stainless Steel Shroud (Conceals overhead plumbing)

* Models in standard height and juvenile height 54" models with TT (TouchTime), AST4 (Hand Control Metering Air Valve) or IR (Infrared) controls are ADA/TAS compliant

** Non-cancelable, not-returnable

† Available with the NSD (No Soap Dispenser) option only

Rough-In Dimensions for Bowl and Pedestal Wall Anchors



Rough-In Notes

Anchor locations for 3/8" diameter bolts, both supplied by installer.



Wall mounted 54" and 36" models with TouchTime, Infrared or hand control are ADA/TAS compliant when mounted at standard height dimensions. Wall mounted 54" model with TouchTime, Infrared or hand control is ADA/TAS compliant when mounted at juvenile height.

* Subtract 4" (102) from this dimension for juvenile height.



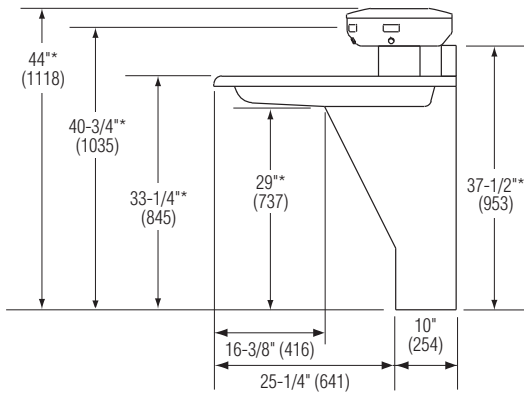
SN2003, SN2023, SN2004, SN2024 Sentry™ Semi-Circular Shallow Bowl Washfountain

Dimensions - Sentry™ 54" Floor Mounted

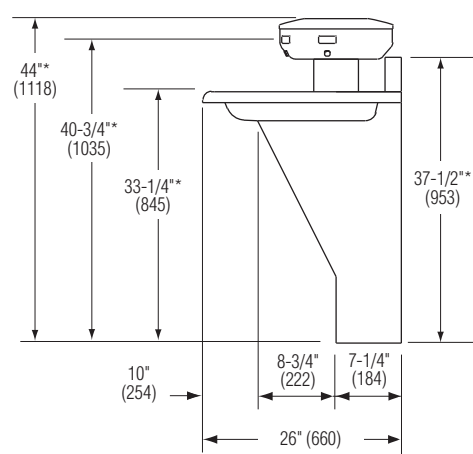
Dimensions - Sentry™ 36" Floor Mounted

(mm)

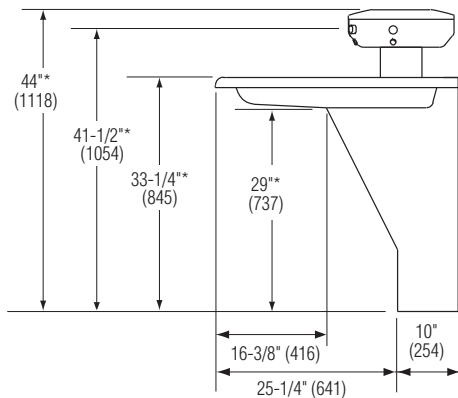
Infrared Control with Optional Backsplash



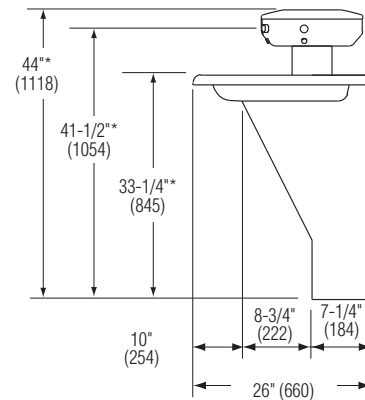
Infrared Control with Optional Backsplash



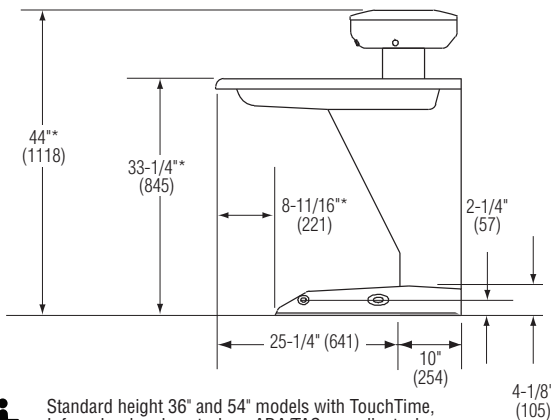
Hand Control (AST4 and TouchTime)



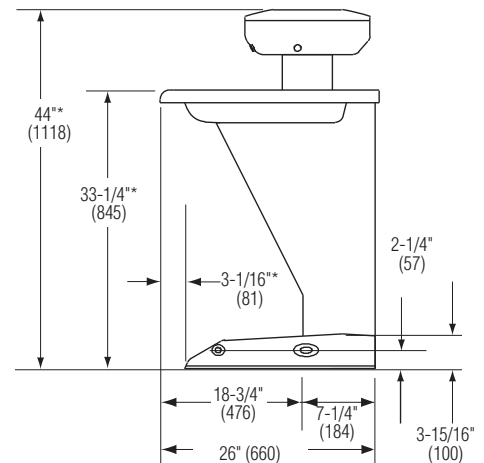
Hand Control (AST4 and TouchTime)



Foot Control



Foot Control



Standard height 36" and 54" models with TouchTime, Infrared or hand control are ADA/TAS compliant when mounted at standard height dimensions. Juvenile height 54" model with TouchTime, Infrared or hand control is ADA/TAS compliant.

* Subtract 4" (102) from this dimension for juvenile height.

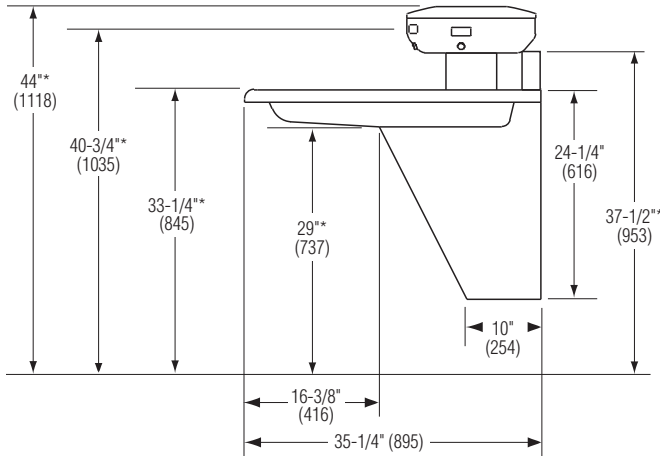


SN2003, SN2023, SN2004, SN2024 Sentry™ Semi-Circular Shallow Bowl Washfountain

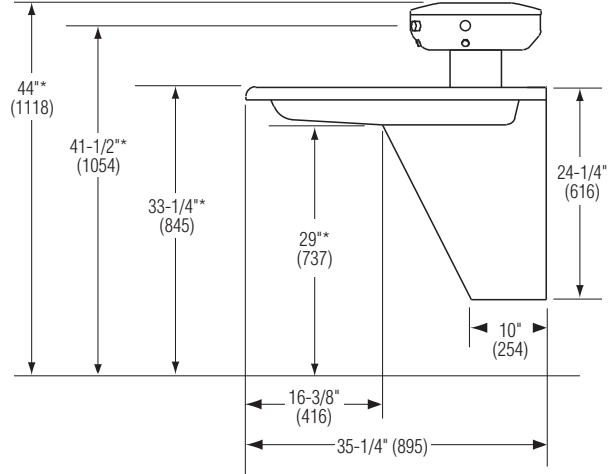
Dimensions - Sentry 54" and 36" Wall Mounted

(mm)

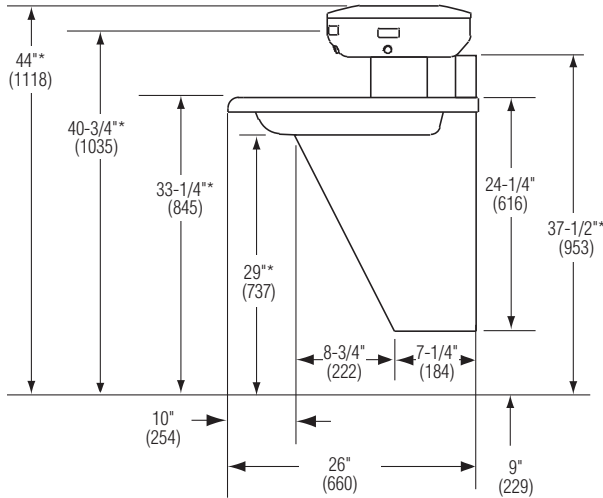
54" Infrared Control with Optional Backsplash



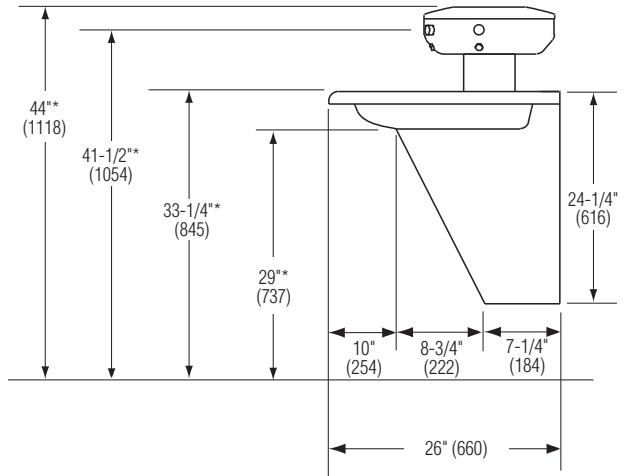
54" Hand Control (AST4 and TouchTime)



36" Infrared Control with Optional Backsplash



36" Hand Control (AST4 and TouchTime)



Wall mounted 54" and 36" models with TouchTime, Infrared or hand control are ADA/TAS compliant when mounted at standard height dimensions. Wall mounted 54" model with TouchTime, Infrared or hand control is ADA/TAS compliant when mounted at juvenile height.

* Subtract 4" (102) from this dimension for juvenile height.



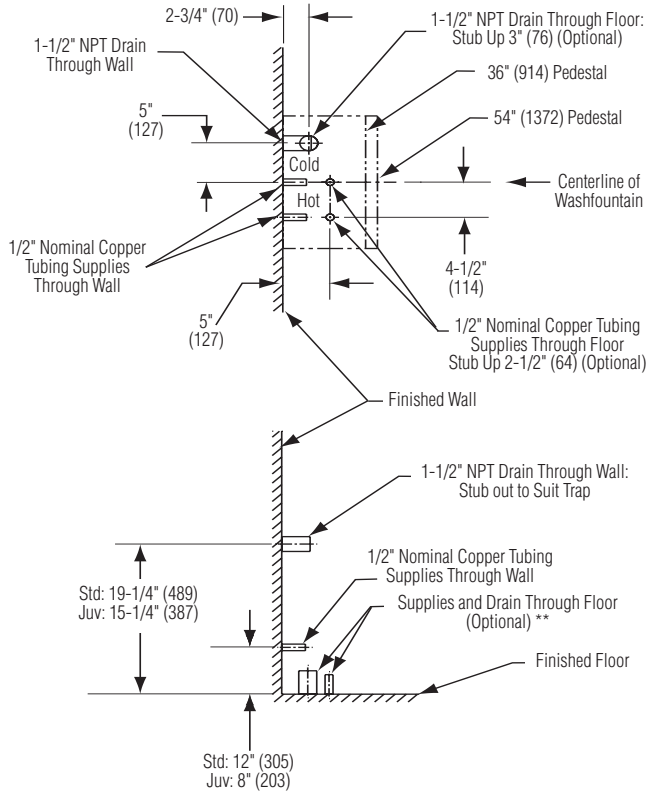
SN2003, SN2023, SN2004, SN2024 Sentry™ Semi-Circular Shallow Bowl Washfountain

Rough-In Dimensions for Drain and Supplies

(mm)

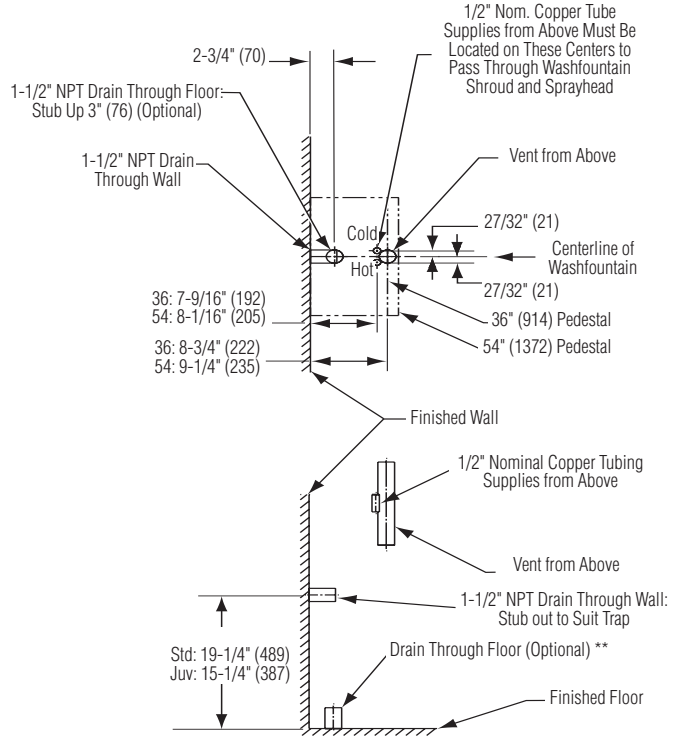
Type A

– Off-line vent with supplies from below



Type B

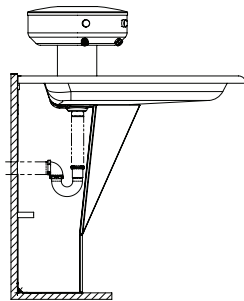
– Centrally rising vent with supplies from above



** Floor Mounted Units Only

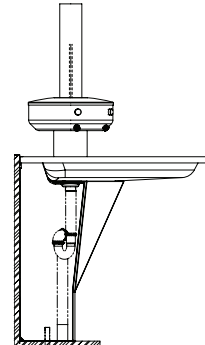
Type A Drain

- Supplies below
- Off-drain vent
- P-Trap furnished by others



Type B Drain

- Supplies above
- Centrally-rising vent
- P-Trap furnished



Rough-In Notes

1. Maximum flow rate required to washfountain is 1.5 GPM for Models SN2003 and SN2023 or 2.0 GPM for Model SN2004 and SN2024. Size supply lines accordingly.
2. Unit with "A" drain and paper towel dispensers and/or a shroud, should use "H" drain Rough-Ins.



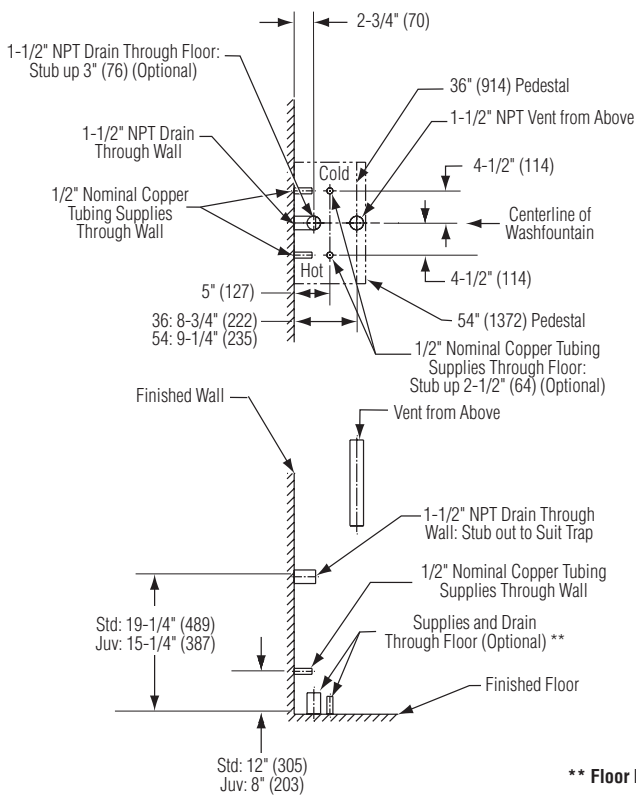
SN2003, SN2023, SN2004, SN2024 Sentry™ Semi-Circular Shallow Bowl Washfountain

Rough-In Dimensions for Drain and Supplies

(mm)

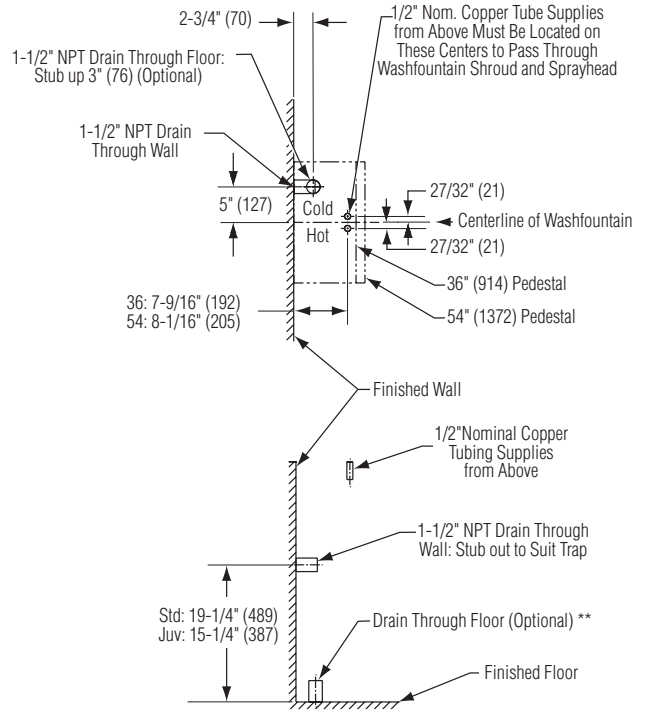
Type H Drain

– Centrally rising vent with supplies from below



Type O Drain

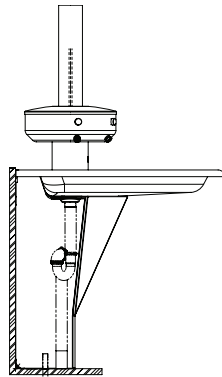
– Off-line vent with supplies from above



** Floor Mounted Units Only

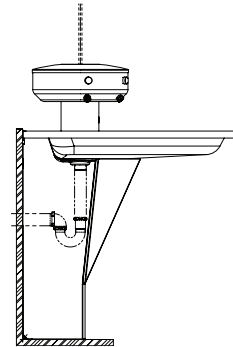
Type H Drain

- Supplies below
- Centrally-rising vent
- P-Trap furnished



Type O Drain

- Supplies above
- Off-drain vent
- P-Trap furnished by others



Rough-In Notes

1. Maximum flow rate required to washfountain is 1.5 GPM for Models SN2003 and SN2023 or 2.0 GPM for Model SN2004 and SN2024. Size supply lines accordingly.
2. Unit with "O" drain and paper towel dispensers and/or a shroud, should use "B" drain Rough-Ins.