

- Complies with American National Standard Z358.1
- Galvanized Steel Protected with BradTect® Safety Yellow Coating or All Stainless Steel
- Universal Identification Sign and Inspection Tag Included
- Wall Bracket Included
- Full, One-Year Warranty
- Classified by Underwriters Laboratory Inc. to ANSI Z358.1

Specifications

Unit design saves space and fits easily into any work environment. Eyewash operates quickly by a large, highly visible push handle. Safe, steady water flow under varying water supply conditions from 30–90 PSI is assured by integral flow control in the sprayhead assembly. NOTE: The ANSI Z358.1 standard requires an uninterrupted supply of flushing fluid at a minimum 30 PSI flowing pressure.

Standard Equipment

Eyewash Bowl

10³/₄" (273mm) diameter corrosion-resistant stainless steel.

Standard Sprayhead Assembly

Stainless steel assembly with twin soft-flow eyewash heads and protective sprayhead covers. Safe, steady water flow under varying water supply conditions from 30–90 PSI is assured by integral flow control in the sprayhead assembly.

Valve

Stainless Steel 1/2" NPT stay-open ball valve. Hand operated by a large, highly visible safety yellow handle.

Pipe and Fittings

Stainless steel.

Wall Bracket

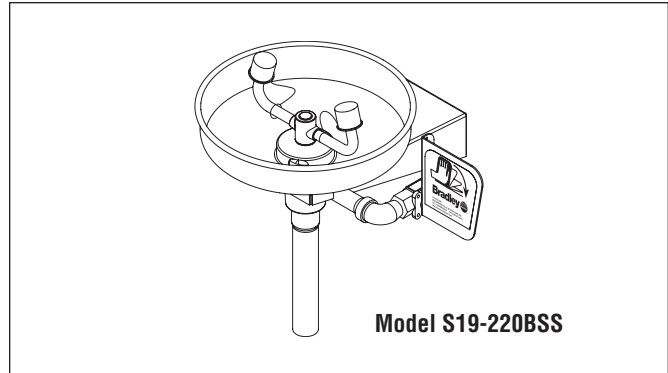
Heavy-gauge sand cast aluminum protected with BradTect® safety yellow coating. Includes three clearance holes for mounting bracket onto wall (mounting hardware not included). S19-220BSS is all stainless steel.


Waste

1¹/₄" drain fitting and tailpiece furnished.

Water Supply

1/2" NPT.



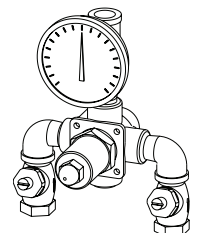
 This plumbing fixture is not intended to dispense water for human consumption through drinking or for preparation of food or beverages.

Model	Description
<input type="checkbox"/> S19-220BSS	Eyewash with Wall Bracket - All Stainless Steel
<input type="checkbox"/> S19-2000	Navigator EFX8 - Emergency Thermostatic Mixing Valve



Recommended Option:
Navigator S19-2000 EFX8
Emergency Thermostatic
Mixing Valve

NAVIGATOR



Satisfies ANSI Z358.1
tepid water requirements.

