

- Complies with American National Standard Z358.1
- Galvanized Steel Pipe and Waste Tee with Floor Flange Protected with BradTect® Safety Yellow Coating
- Universal Identification Sign and Inspection Tag Included
- Full, One-Year Warranty
- Classified by Underwriters Laboratory Inc. to ANSI Z358.1



Specifications

Unit design saves space and fits easily into any work environment. Eye/face wash operates quickly by a large, highly visible push handle. Safe, steady water flow under varying water supply conditions from 30–90 PSI is assured by integral flow control in the sprayhead assembly. NOTE: The ANSI Z358.1 standard requires an uninterrupted supply of flushing fluid at a minimum 30 PSI flowing pressure. Eye/face wash sprayheads contain an antimicrobial agent to protect the sprayheads.



This plumbing fixture is not intended to dispense water for human consumption through drinking or for preparation of food or beverages.

Standard Equipment

Eyewash Bowl

10" (254mm) diameter yellow impact-resistant plastic or 10¾" (273mm) diameter corrosion-resistant stainless steel.

Standard Sprayhead Assembly

Twin perforated-disc eye/face wash heads with protective sprayhead covers. Safe, steady water flow under varying water supply conditions from 30–90 PSI is assured by integral flow control in the sprayhead assembly.

Valve

Chrome-plated brass ½" NPT stay-open ball valve. Hand operated by a large, highly visible safety yellow PVC push handle. Model S19-210YF has a foot treadle.

Pipe and Fittings

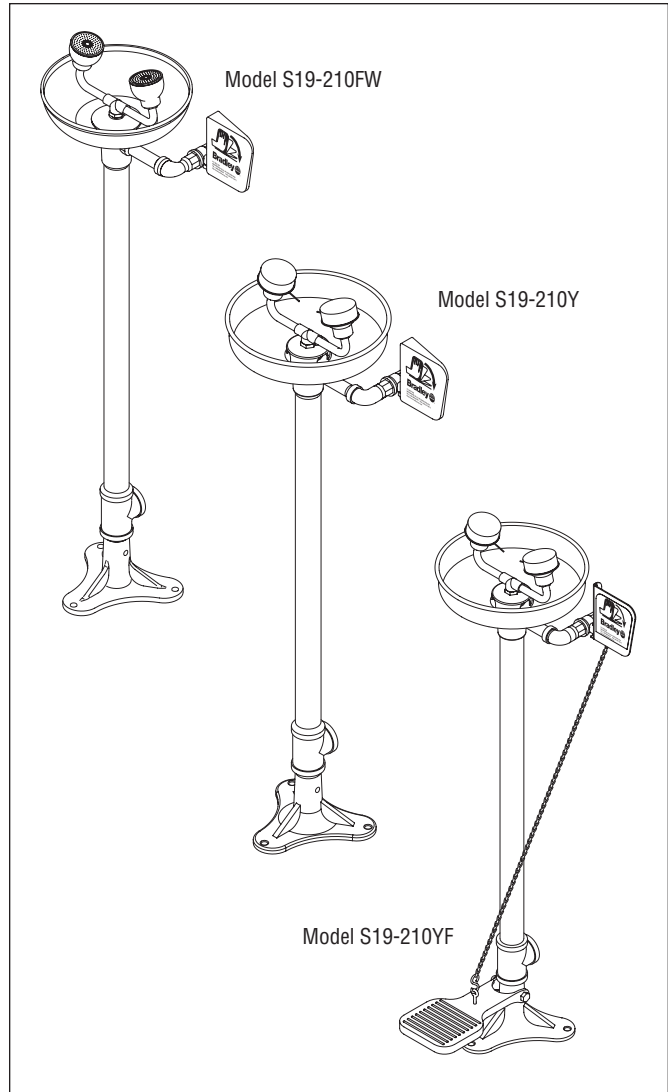
Galvanized steel and waste tee with floor flange protected with BradTect® safety yellow coating.

Waste

1¼" drain fitting furnished.

Water Supply

½" NPT.



Recommended Option:
Navigator S19-2000 EFX8
Emergency Thermostatic Mixing Valve

NAVIGATOR

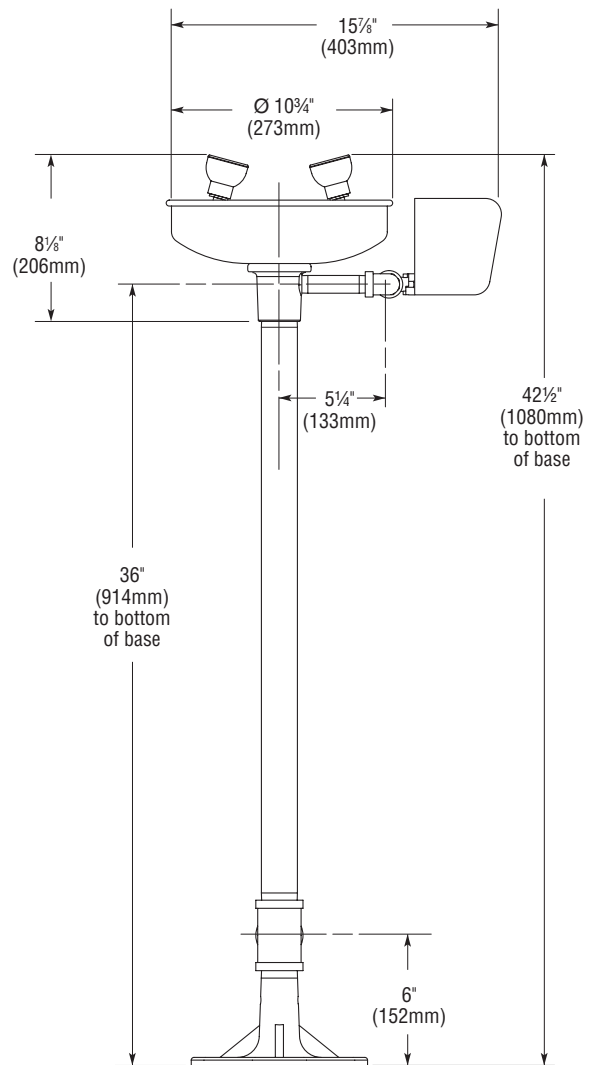
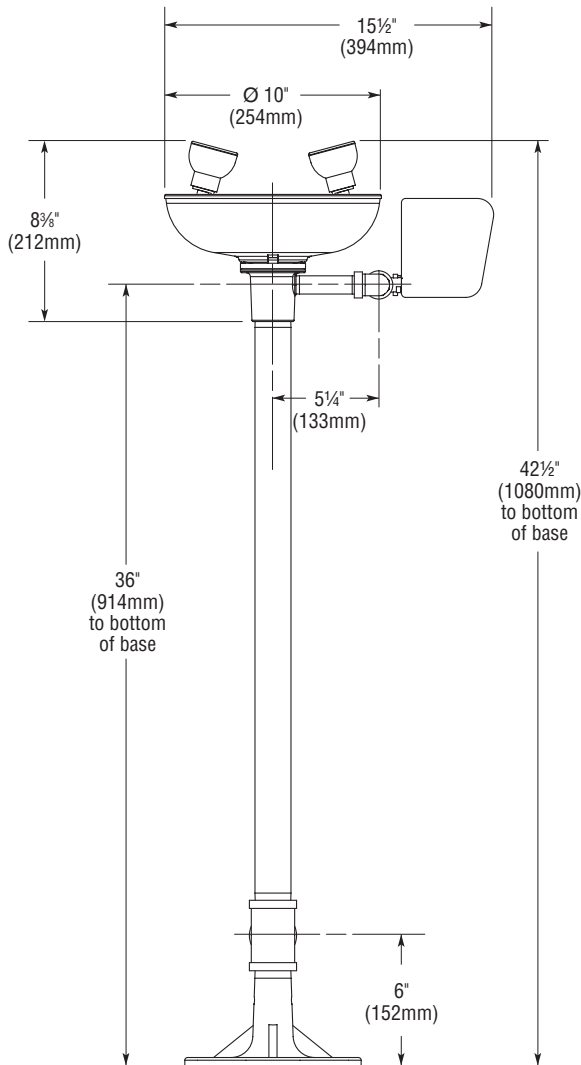


Satisfies ANSI Z358.1
tepid water requirements.

Model	Description
<input type="checkbox"/> S19-210FW	Pedestal-Mount Eye/Face Wash Unit with Plastic Bowl
<input type="checkbox"/> S19-210Y	Pedestal-Mount Eye/Face Wash Unit with Stainless Steel Bowl
<input type="checkbox"/> S19-210YF	Pedestal-Mount Eye/Face Wash Unit with Stainless Steel Bowl, Hand or Foot Operation
<input type="checkbox"/> S19-2000	Navigator EFX8 – Emergency Thermostatic Mixing Valve

Model S19-210FW

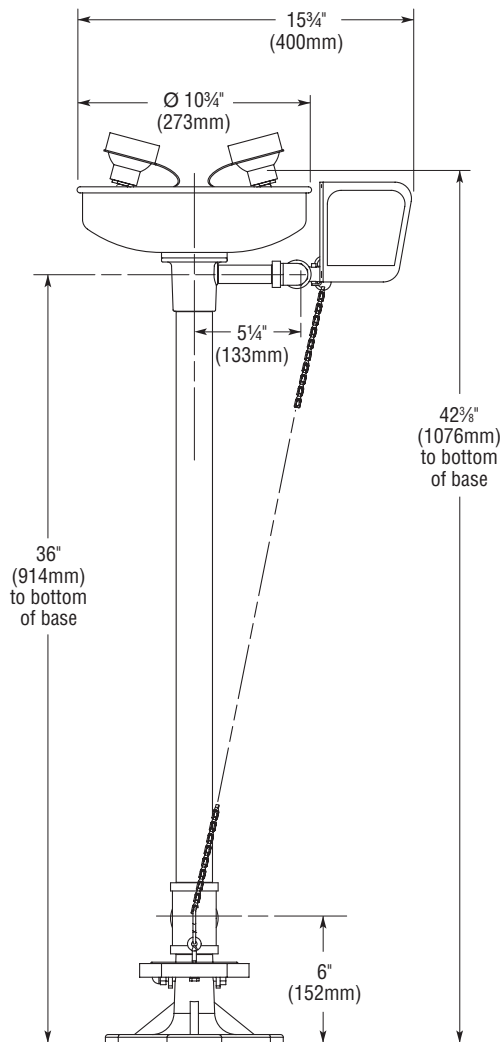
Model S19-210Y



Local codes may require the installation of a backflow prevention valve to complete proper installation. Compliance with local codes is the responsibility of the installer. Valve must be tested annually to verify that it is functioning properly. Backflow prevention valves are not included with the fixture and may be supplied by the contractor or purchased from Bradley Corporation.

All dimensions assume standard thread engagement. Variations in manufacturing allow for +/- 1/8" (3mm) per threaded joint. To find the tolerance of a dimension, add the number of thread joints in between a dimension and multiply it by 1/8" (3mm).

Model S19-210YF



Local codes may require the installation of a backflow prevention valve to complete proper installation. Compliance with local codes is the responsibility of the installer. Valve must be tested annually to verify that it is functioning properly. Backflow prevention valves are not included with the fixture and may be supplied by the contractor or purchased from Bradley Corporation.

All dimensions assume standard thread engagement. Variations in manufacturing allow for $\pm \frac{1}{8}"$ (3mm) per threaded joint. To find the tolerance of a dimension, add the number of thread joints in between a dimension and multiply it by $\frac{1}{8}"$ (3mm).